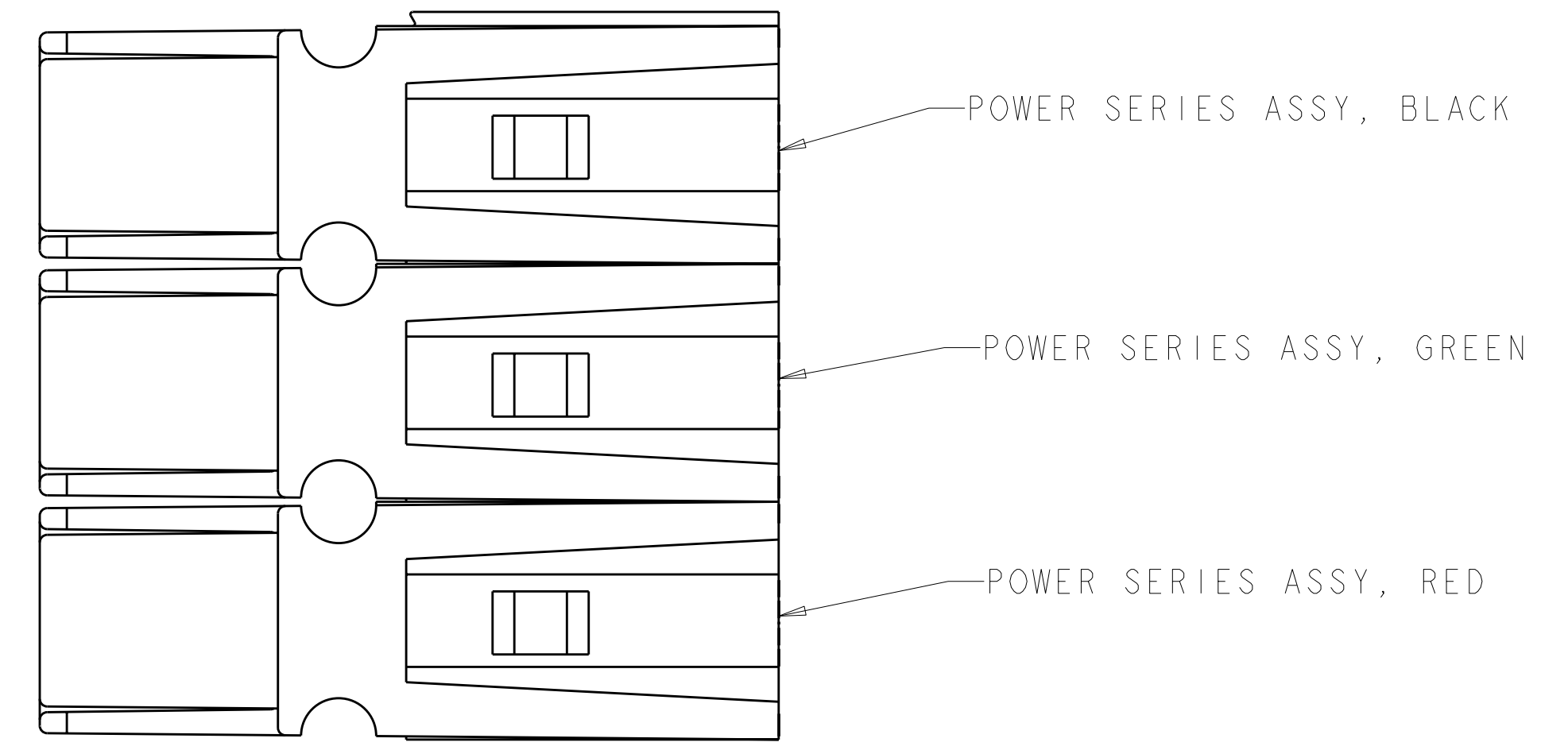
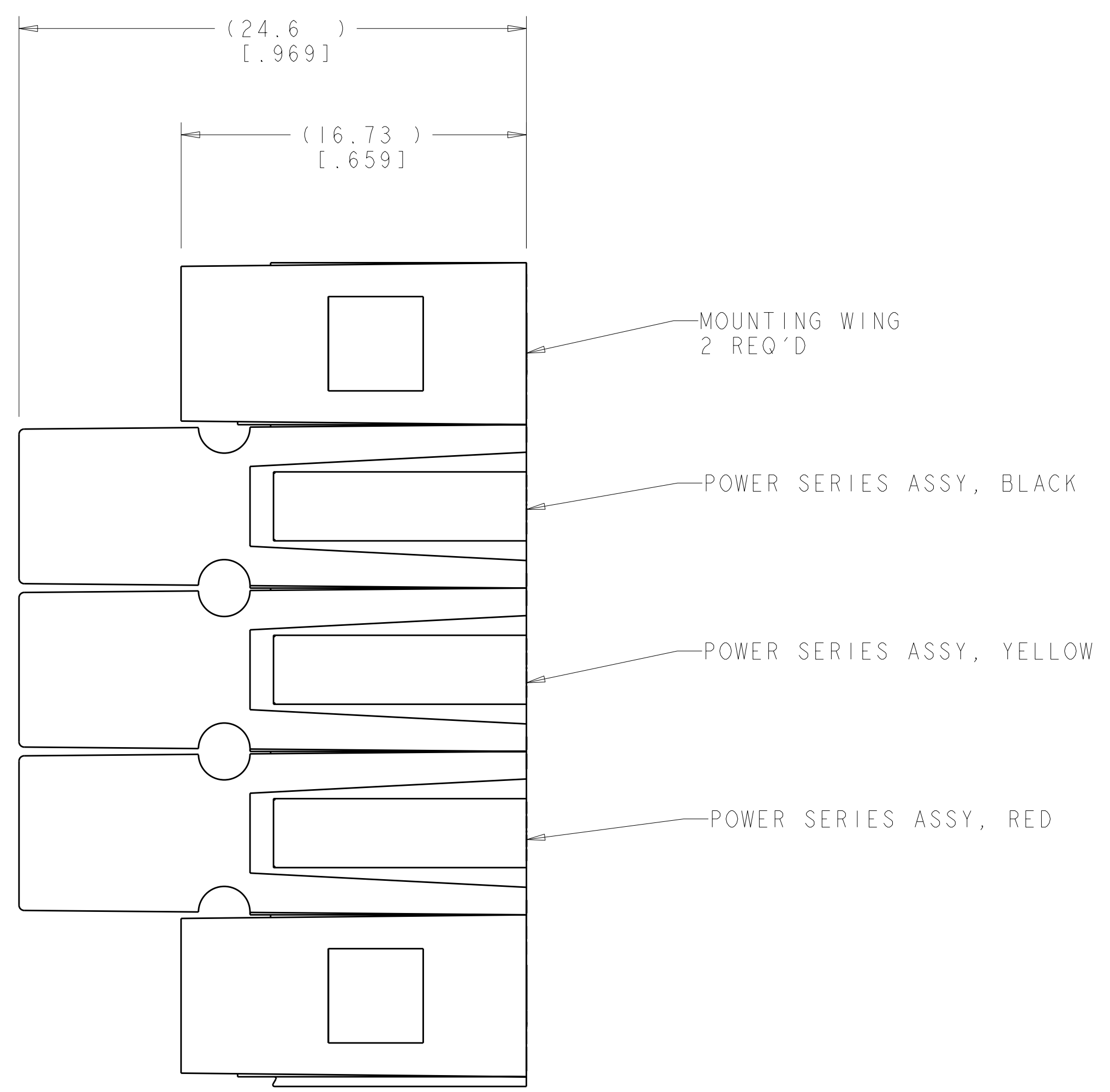
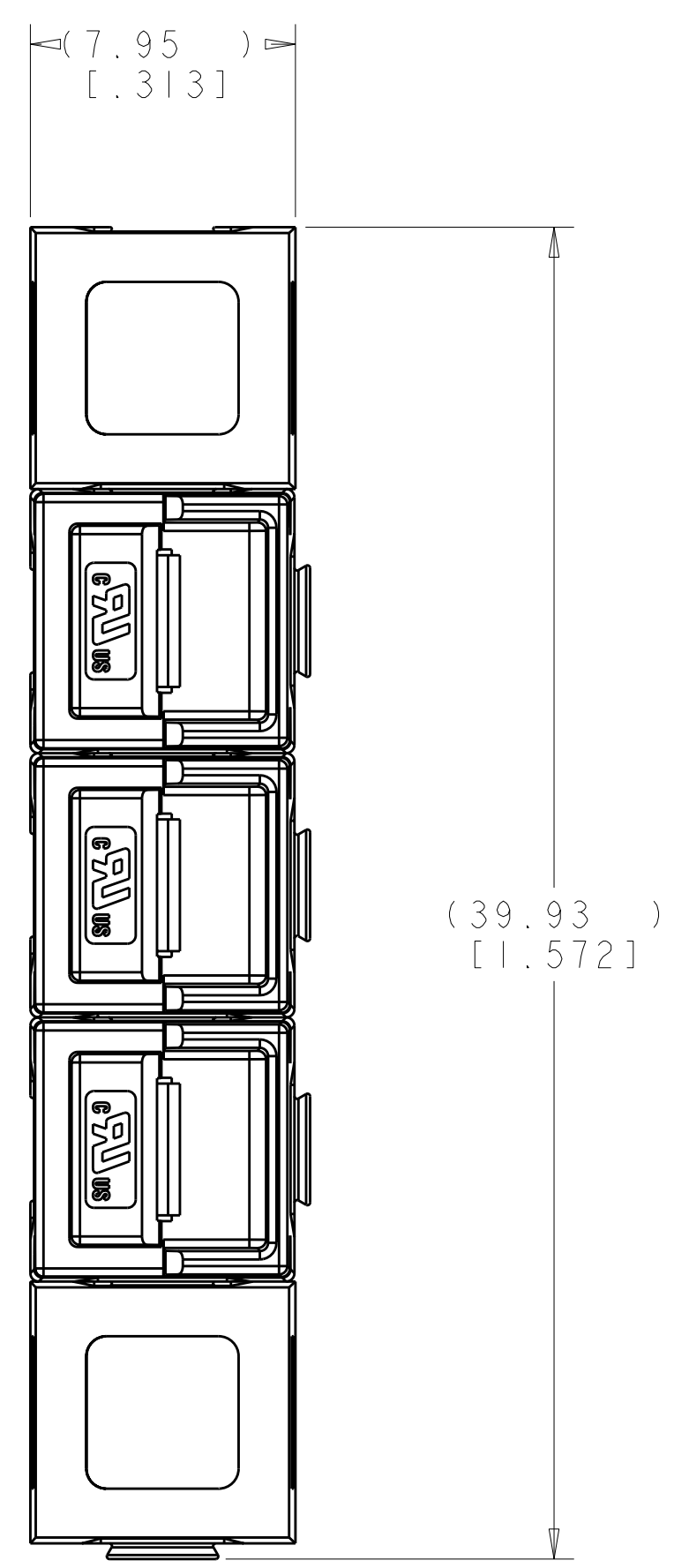
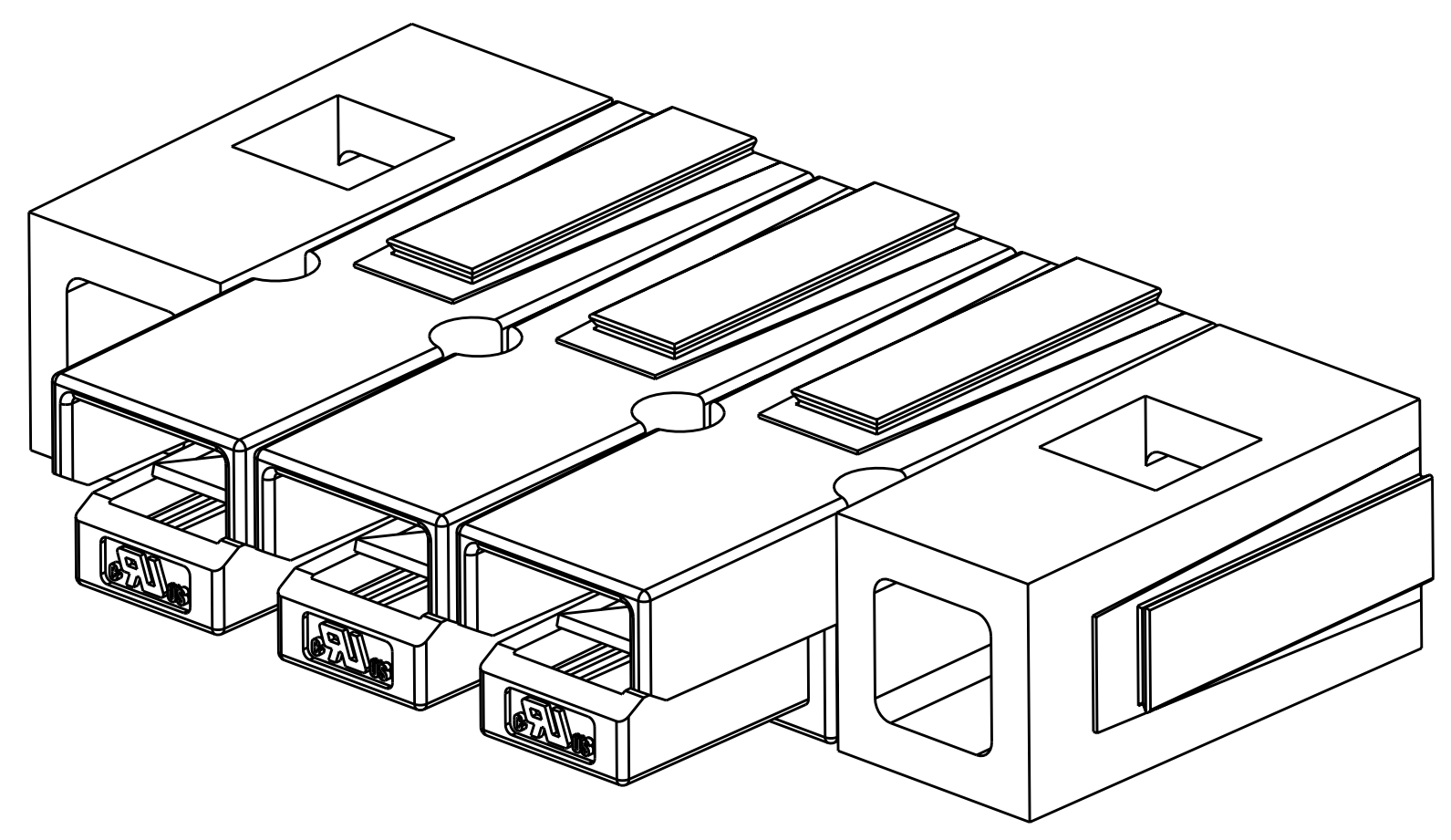


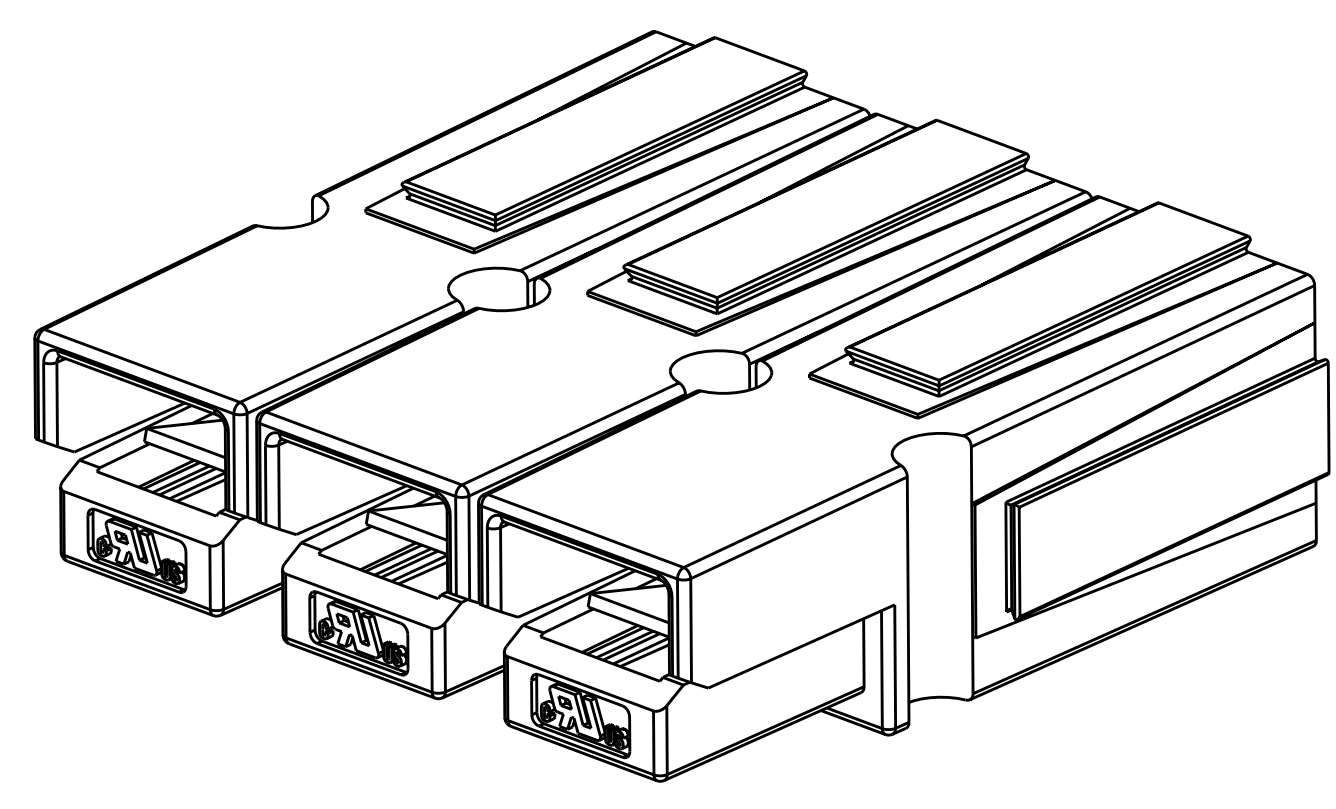
LOC	DIST	REVISIONS			
P	LTB	DESCRIPTION	DATE	DWN	APVD
A		REVISED PER ECO-05-016916	04JAN06	KW	JE
A1		REVISED PER ECO-06-004222	22FEB06	KW	JE
A2		REVISED PER ECO-09-004443	23FEB2009	SS	MS



- 3 AS SHOWN



1744188-1  
(WITH MOUNTING WINGS)



1744188-2  
(WITHOUT MOUNTING WINGS)

2266.843	1744188-3
2266.843	1744188-2
3438.345	1744188-1
VOLUME (mm <sup>3</sup> )	PART NO

DIMENSIONS: mm 		TOLERANCES UNLESS OTHERWISE SPECIFIED: 0 PLC ± 1 PLC ±0.13 2 PLC ± 3 PLC ± 4 PLC ± ANGLES ±40°30'		DWN R. WHITAKER 04JAN2006 CHK J. ELLIS 04JAN2006 APVD J. ELLIS 04JAN2006		<b>tyco</b> Tyco Electronics Harrisburg, PA 17105-3608	
MATERIAL: - FINISH: -		PRODUCT SPEC: - APPLICATION SPEC: - WEIGHT: SEE TABLE CUSTOMER DRAWING		NAME: ULTRASONICALLY WELDED ASSEMBLY, AMP POWER SERIES 15/30/45 SIZE: CAGE CODE DRAWING NO: A100779C=1744188 RESTRICTED TO: -		SCALE: 5:1 SHEET 1 OF 1 REV A2	

