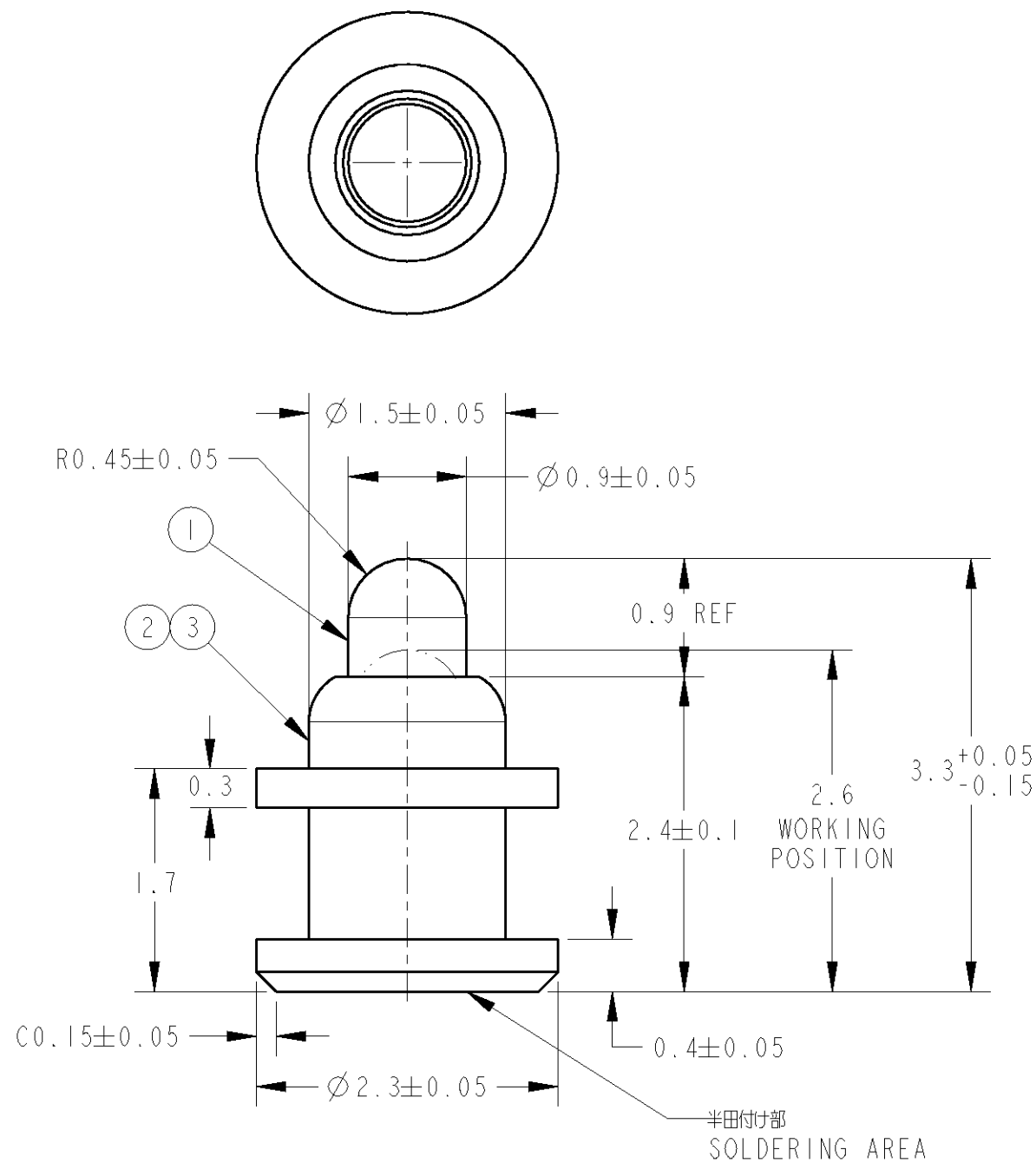


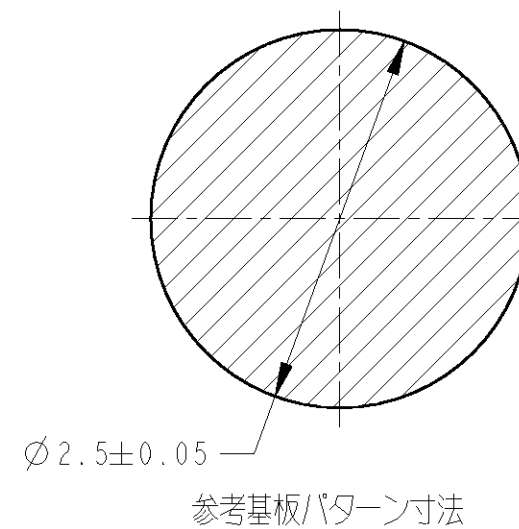
THIS DRAWING IS UNPUBLISHED. RELEASED FOR PUBLICATION 2004MAR
 © COPYRIGHT 2004 BY TYCO ELECTRONICS CORPORATION. ALL RIGHTS RESERVED.

LOC	DIST	REVISIONS					
		P	LTR	DESCRIPTION	DATE	DWN	APVD
J	-		A	RELEASED	30OCT07	C.O	Y.N
			AI	REDRAWN	19DEC07	C.O	Y.N

- 1 ; 本図
 - 1 ; AS SHOWN



COMPONENT ITEM	QTY	MATERIAL	FINISH
① CONTACT PIN	1	C2700	Ni: 3~4μm Au: 0.5μmMIN
② TUBE	1	C3604	Ni: 1.4~3.0μm Au: 0.1~0.4μm
③ SPRING	1	SWP	Ni: 1~2μm Au: 0.1μmMIN

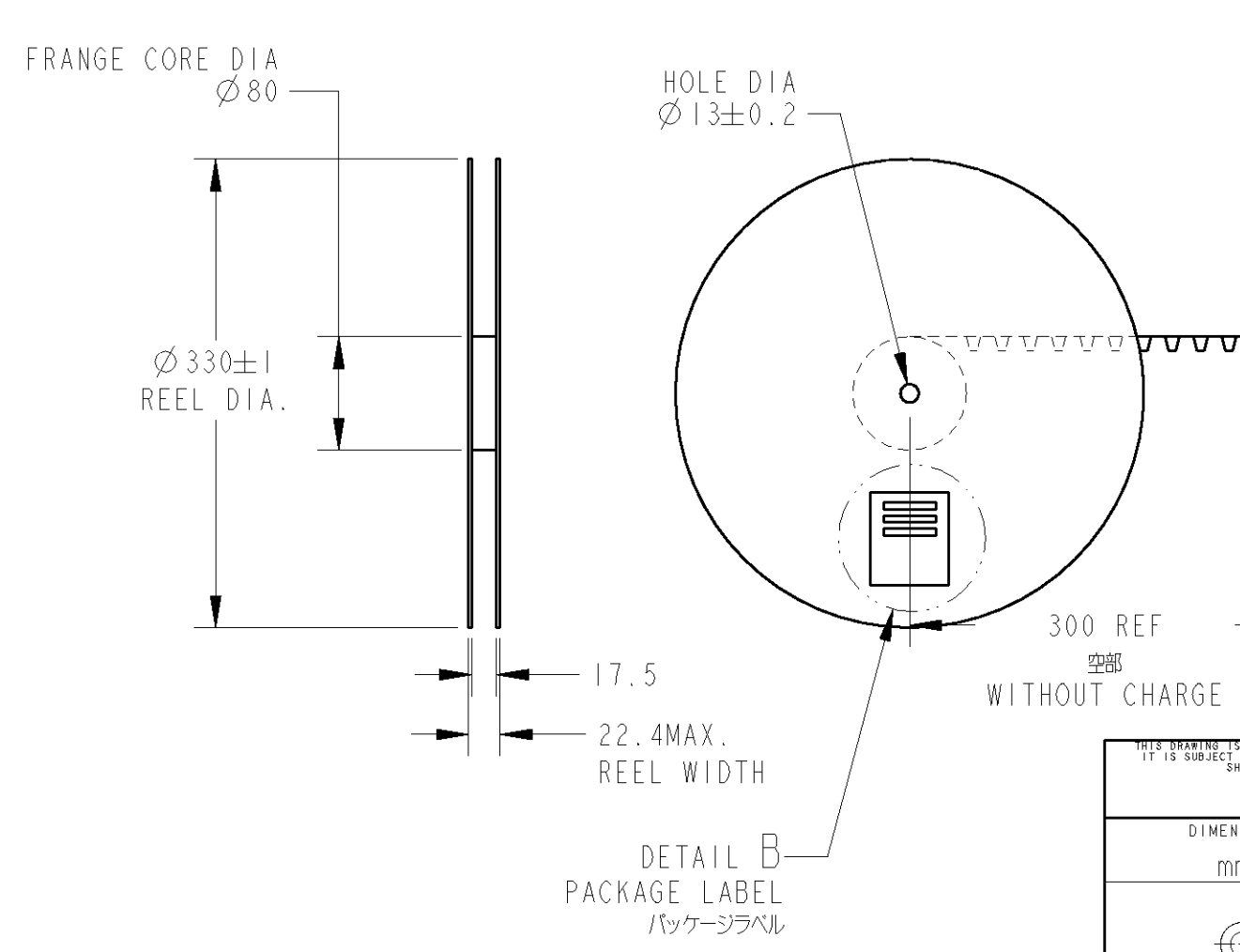
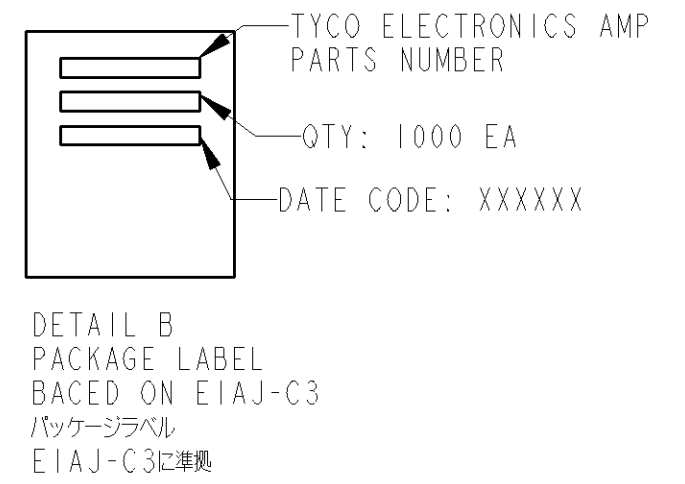
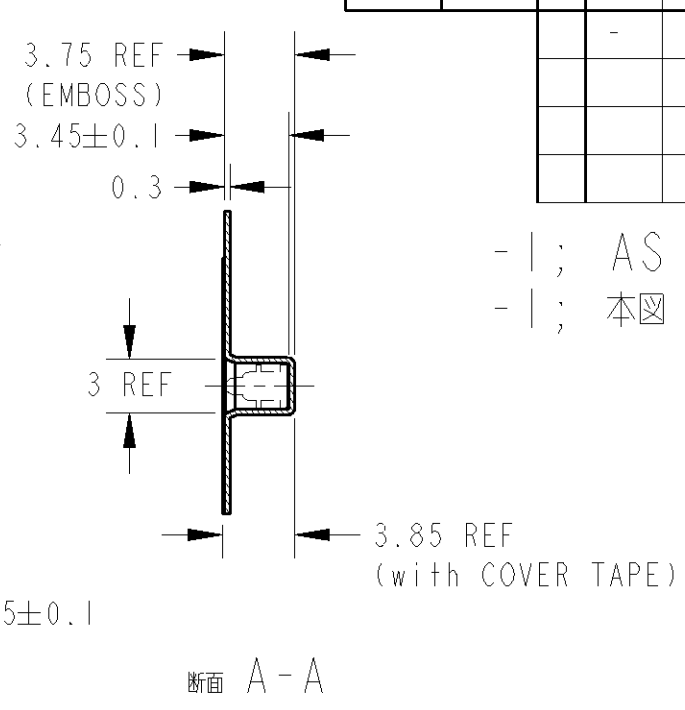
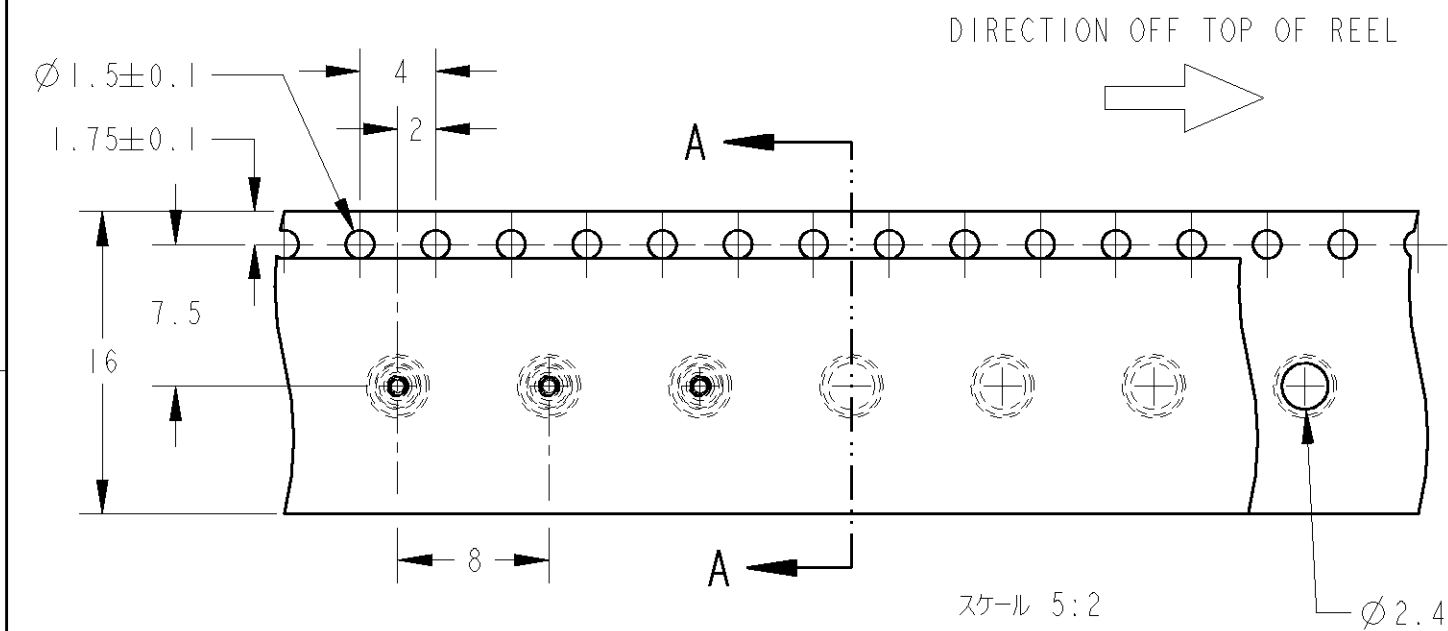


1. 1000EA/REEL
 2. CONTACT FORCE 1.0±0.2N / 0.7mm

THIS DRAWING IS A CONTROLLED DOCUMENT FOR TYCO ELECTRONICS CORPORATION IT IS SUBJECT TO CHANGE AND THE CONTROLLING ENGINEERING ORGANIZATION SHOULD BE CONTACTED FOR THE LATEST REVISION.		DWN 30OCT2007 C.OHASHI CHK 30OCT2007 Y.NAKAZAWA APVD 30OCT2007 Y.NAKAZAWA		tyco Electronics Tyco Electronics Corporation Kawasaki, Japan	
DIMENSIONS: 単位: 概 mm		TOLERANCES UNLESS OTHERWISE SPECIFIED: 一般公差 ±0.1 0-PLC ± 1-PLC ±0.5 2-PLC ±0.13 3-PLC ±0.013 4-PLC ±0.0001 ANGLES ±3		NAME 名称 SPRING PROBE CONNECTOR IPOS SMT LOW PROFILE	
MATERIAL 材料 SEE TABLE		FINISH 仕上 SEE TABLE		PRODUCT SPEC 製品規格 108-5975 APPLICATION SPEC 取付適用規格 -	
		WEIGHT 0.04g		SIZE A3	
		CUSTOMER DRAWING		CAGE CODE 00779	
		DRAWING NO 番号 1746731		RESTRICTED TO -	
		SCALE 尺度 1:1		SHEET 1 OF 2	
				REV A1	

THIS DRAWING IS UNPUBLISHED. RELEASED FOR PUBLICATION 2004MAR
 © COPYRIGHT 2004 BY TYCO ELECTRONICS CORPORATION. ALL RIGHTS RESERVED.

LOC	DIST	REVISIONS			
P	LTR	DESCRIPTION	DATE	DWN	APVD
J	-	SEE SHEET 1	-	-	-



THIS DRAWING IS A CONTROLLED DOCUMENT FOR TYCO ELECTRONICS CORPORATION IT IS SUBJECT TO CHANGE AND THE CONTROLLING ENGINEERING ORGANIZATION SHOULD BE CONTACTED FOR THE LATEST REVISION.		DWN C.OHASHI 300CT2007	Tyco Electronics Corporation Kawasaki, Japan	
DIMENSIONS: mm		CHK Y.NAKAZAWA 300CT2007		
TOLERANCES UNLESS OTHERWISE SPECIFIED: ± 0.15		APVD Y.NAKAZAWA 300CT2007	NAME SPRING PROBE CONNECTOR IPOS SMT LOW PROFILE	
0-PLC \pm 1-PLC ± 0.5 2-PLC ± 0.13 3-PLC ± 0.013 4-PLC ± 0.0001 ANGLES ± 3		PRODUCT SPEC 108-5975	RESTRICTED TO -	
MATERIAL SEE TABLE		APPLICATION SPEC -	SIZE A3	CAGE CODE 00779
FINISH SEE TABLE		WEIGHT 0.04g	DRAWING NO C=1746731	
		CUSTOMER DRAWING	SCALE 1:1	SHEET 2 OF 2 REV A1