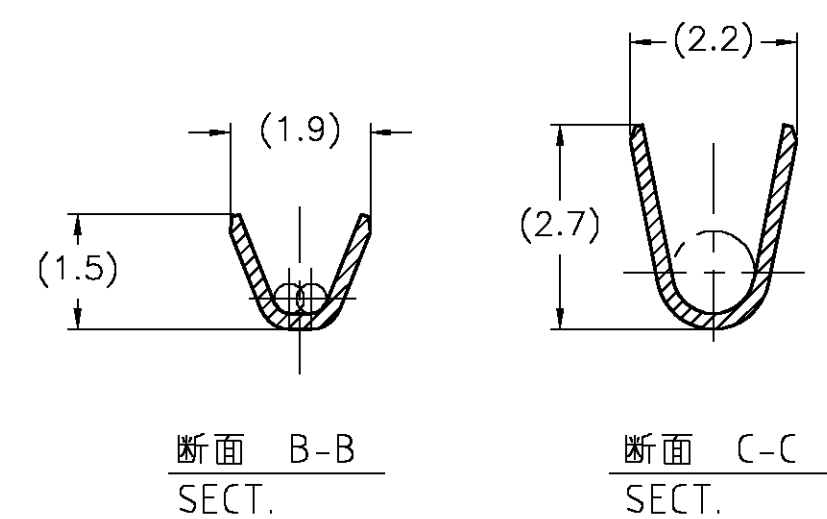
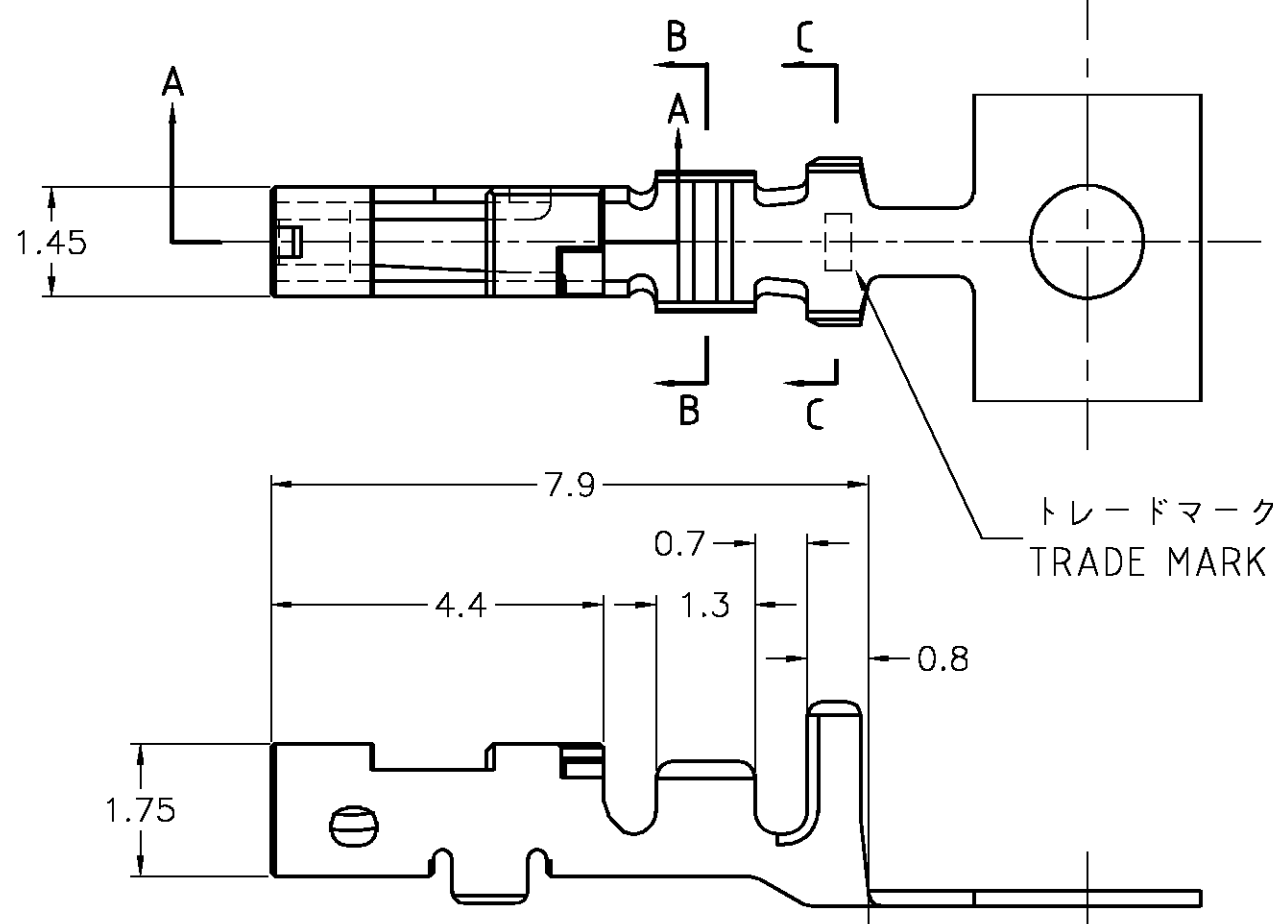


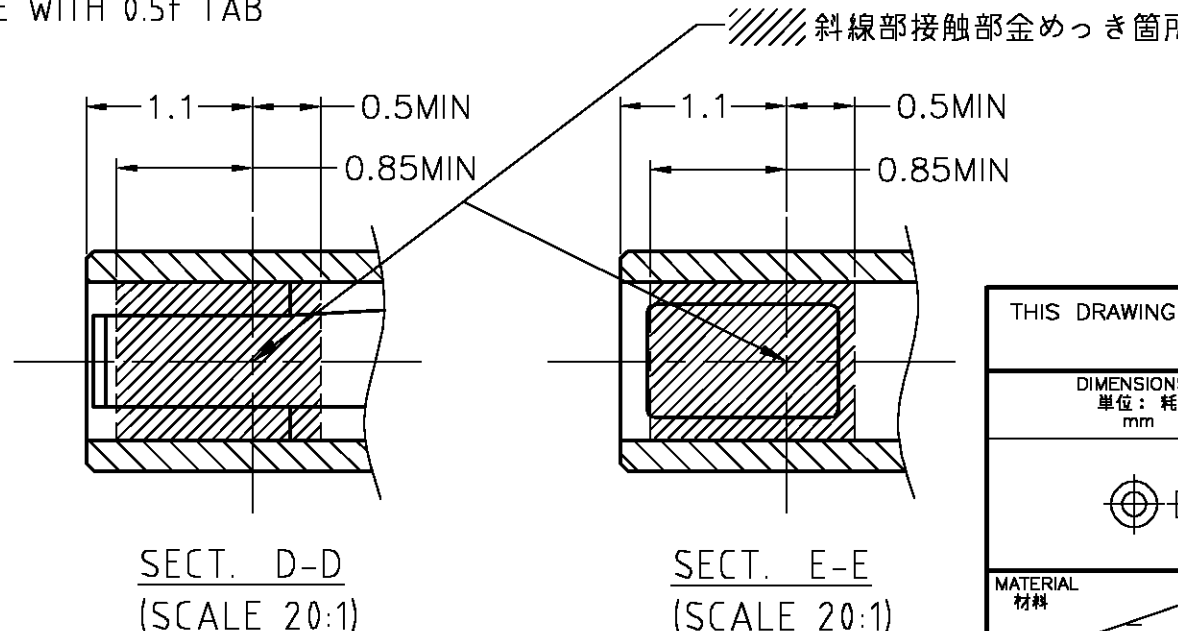
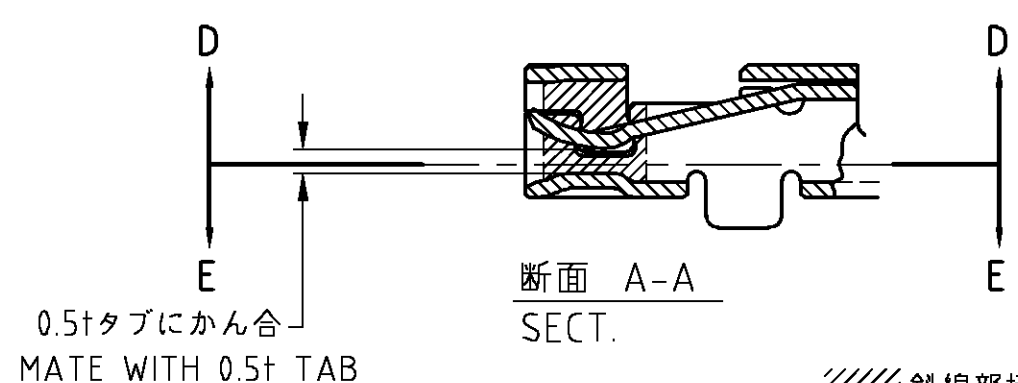
THIS DRAWING IS UNPUBLISHED. RELEASED FOR PUBLICATION  
 © COPYRIGHT BY TYCO ELECTRONICS CORPORATION. ALL RIGHTS RESERVED.

LOC	DIST	REVISIONS					
		P	LTR	DESCRIPTION	DATE	DWN	APVD
J	—	B		REVISED ECR-06-012985	30MAY'06	J.S	N.Y
		C		REVISED ECR-08-019044	30JUL'08	J.S	S.M



注;  
 1. 適用プラグ・ハウジング型番  
 X-1747069-1  
 X-1747066-2~8

NOTES;  
 1. APPLICABLE PLUG HOUSING P/N ;  
 X-1747069-1  
 X-1747066-2~8



AWG#28~#22 0.079~0.38mm <sup>2</sup>	Φ1.08~Φ1.5	PHOS-BRO, FINISH: Au, OVIER Ni 下地: Niめっき, 仕上: 金めっき・リン青銅	1747062-1
WIRE RANGE 導体断面積	INSULATION DIA 被覆外径	MATERIAL 材料	PART No. 型番

THIS DRAWING IS A CONTROLLED DOCUMENT.

DWN T.HATANO 01OCT2004	Tyco Electronics Tyco Electronics AMP K.K. Kawasaki, Japan
CHK N.YAMASAKI 01OCT2004	
APVD N.YAMASAKI 01OCT2004	NAME 名称 GRACE INERTIA CONNECTOR 2.0 AND 2.5 REC CONTACT
PRODUCT SPEC 製品規格 108-5992/5993	SIZE A3
APPLICATION SPEC 取付適用規格 114-5359	CAGE CODE 00779
WEIGHT -	DRAWING NO 番号 C-1747062
MATERIAL 材料	RESTRICTED TO -
FINISH 仕上	SCALE 尺度 10:1
	SHEET 1 OF 1
	REV C

CUSTOMER DRAWING