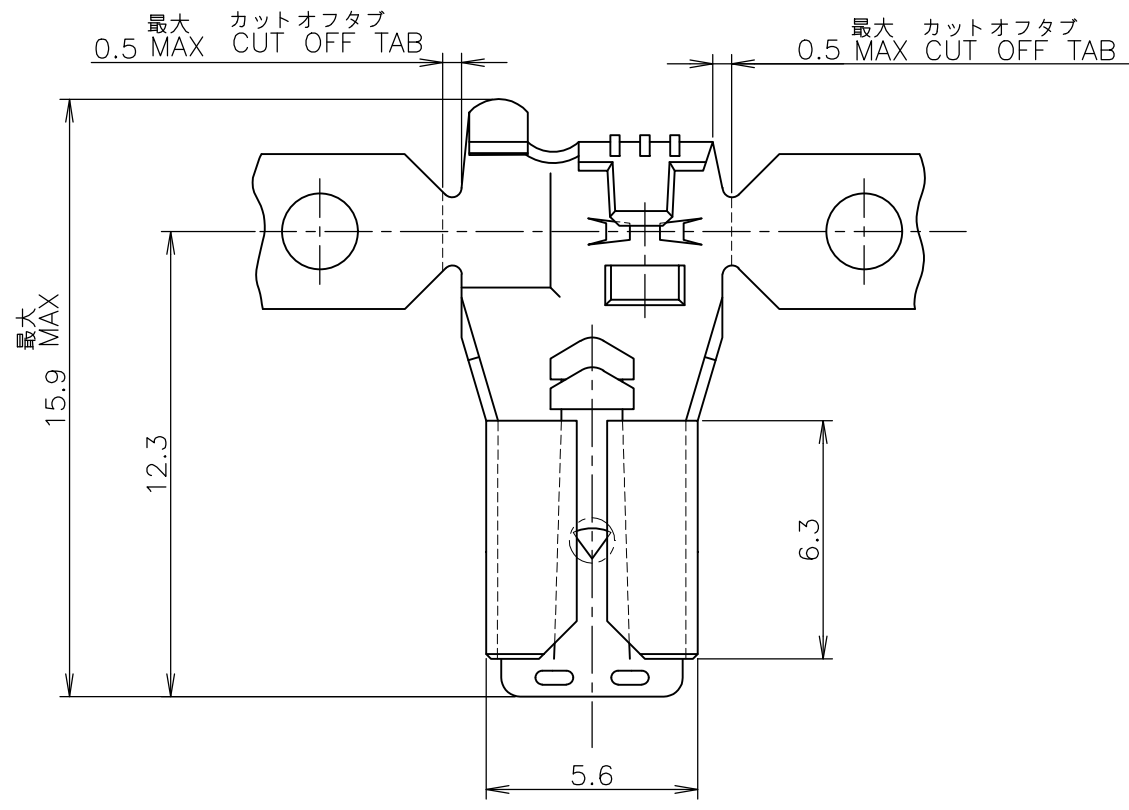


THIS DRAWING IS UNPUBLISHED. RELEASED FOR PUBLICATION DEC ,2001.
 © COPYRIGHT 2001 By - ALL RIGHTS RESERVED.

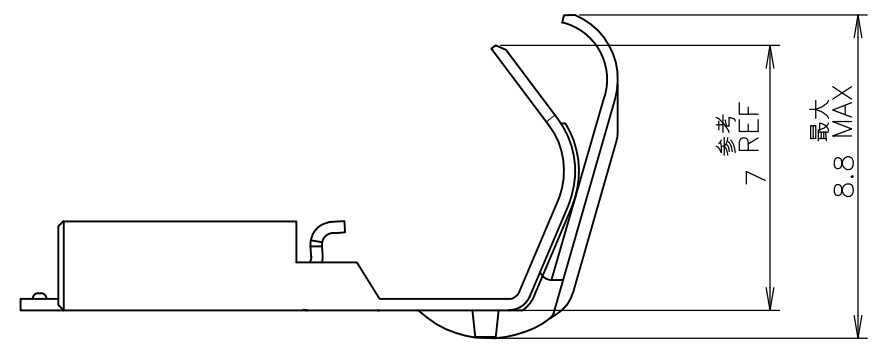
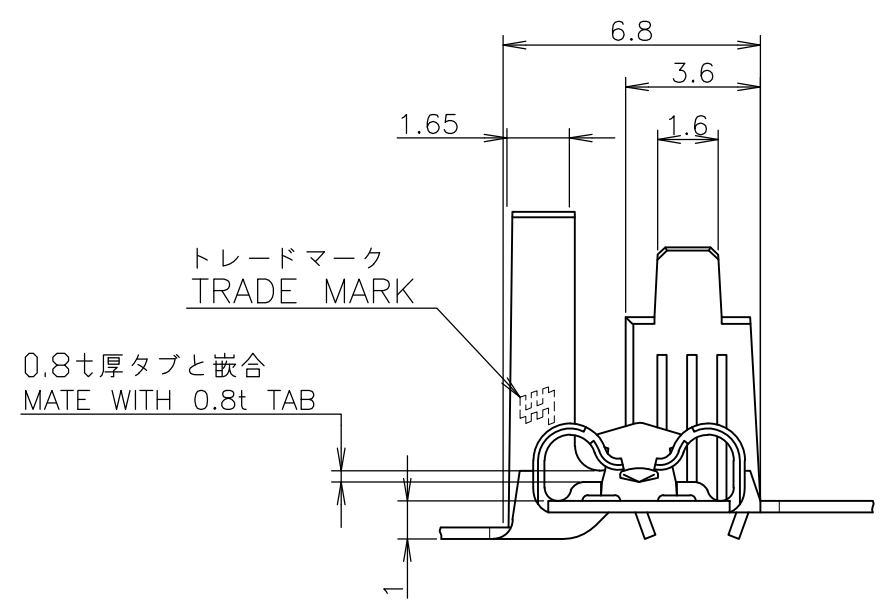
LOC	DIST	REVISIONS					
		P	LTR	DESCRIPTION	DATE	DWN	APVD
J	/		C3	REVISED PER ECO-17-017111	27NOV2017	HG	TD
			C4	REVISED PER ECR-20-005366	16APR2020	SS	DL



1 SLEEVE P/N *-174816-* IS APPLICABLE
 BUT ONE TOUCH SLEEVE P/N *-178708-* IS NOT APPLICABLE

1 スリーブ型番 *-174816-* は適用可
 但しワンタッチスリーブ型番 *-178708-* は適用不可

△ 2 OBSOLETE PART



△ 2	BRASS	-175193-2
	PRE TINNED BRASS 0.3t 錫めっき済み黄銅 0.3t	175193-1
	MATERIAL 材質	P/N 型番
	WIRE RANGE 抱合電線断面積	INSULATION DIA 被覆外径
	AWG #22-#16 0.3~1.42 mm ²	1.5~4.32 mm ϕ

GENERAL TOLERANCE
 一般公差

10 \geq : ± 0.2
 30 \geq > 10: ± 0.25
 100 \geq > 30: ± 0.3
 ANGLES: $\pm 3^\circ$

THIS DRAWING IS A CONTROLLED DOCUMENT.		DWN T.HATANO	05DEC2001
DIMENSIONS: 単位: 耗 mm		CHK M.SHINDO	05DEC2001
TOLERANCES UNLESS OTHERWISE SPECIFIED: 一般公差		APVD M.SHINDO	05DEC2001
0 PLC \pm		PRODUCT SPEC 製品規格	
1 PLC \pm		108-5250	
2 PLC \pm		APPLICATION SPEC 取付適用規格	
3 PLC \pm		114-5118	
4 PLC \pm		WEIGHT	
ANGLES \pm		0.52	
FINISH 仕上		CUSTOMER DRAWING	
MATERIAL 表参照 材料 SEE TABLE			

STE TE Connectivity			
NAME 名称			
187 SERIES FLAG POSITIVE LOCK-EX REC. 0.8 THK TAB			
187シリーズ旗型ポジティブロッカーEXリセプタクル 0.8tタブ用			
SIZE	CAGE CODE	DRAWING NO 番号	RESTRICTED TO
A3	0	C-175193	-
SCALE 尺度		SHEET	REV
5:1		1 OF 1	C4