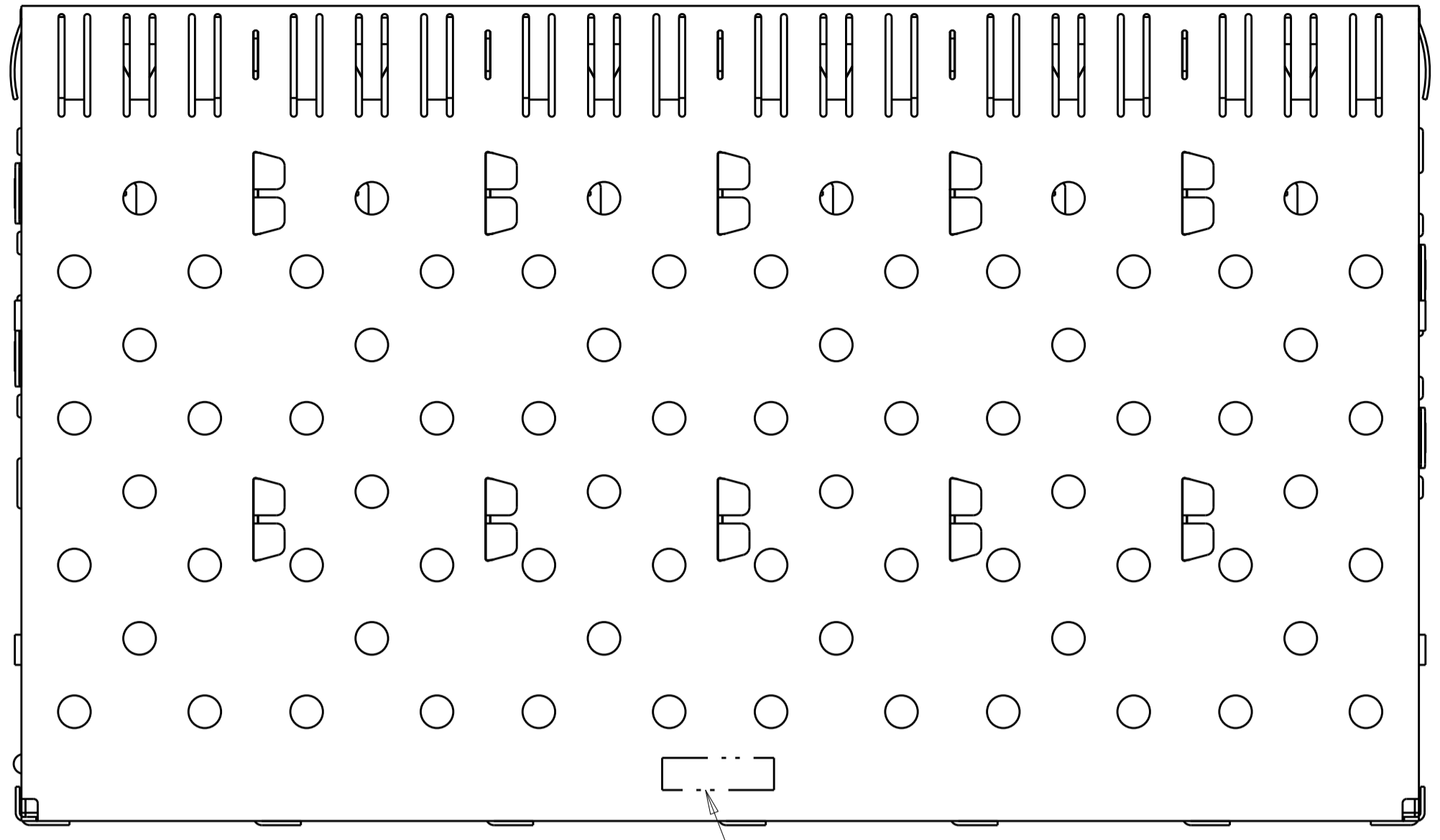
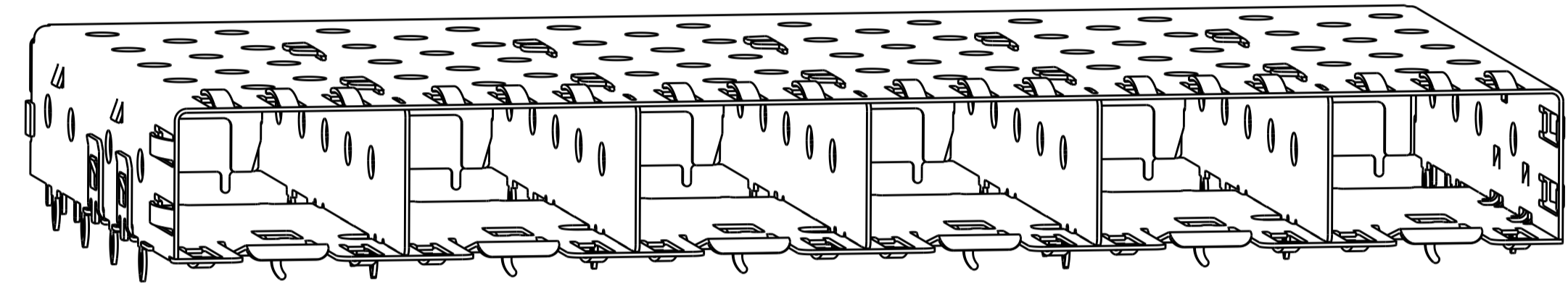


LOC	DIST	REVISIONS					
		P	LTN	DESCRIPTION	DATE	DWN	APVD
GP	00						
		D1		REVISED PER ECO-11-004835	13APR2011	RK	HMR
		E		REVISED PER ECO-14-000886	20FEB2014	JW	SH
		E1		REVISED PER ECO-14-010419	11JUL2014	JW	SH
		F		REVISED PER ECO-15-013594	25SEP2015	JW	SH

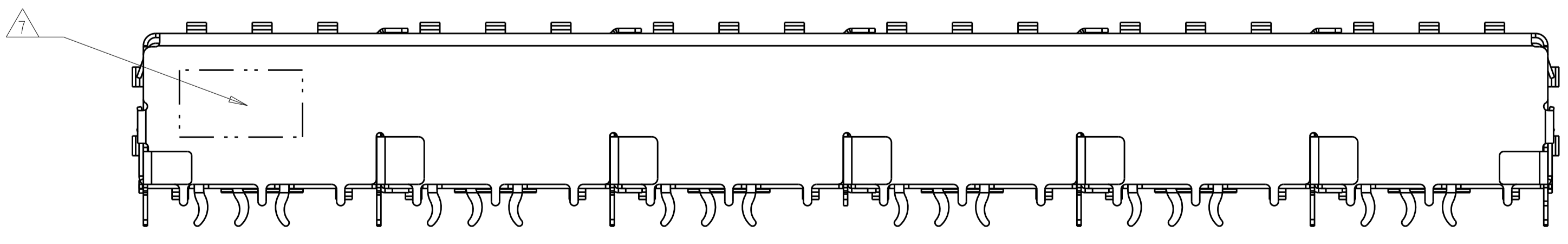
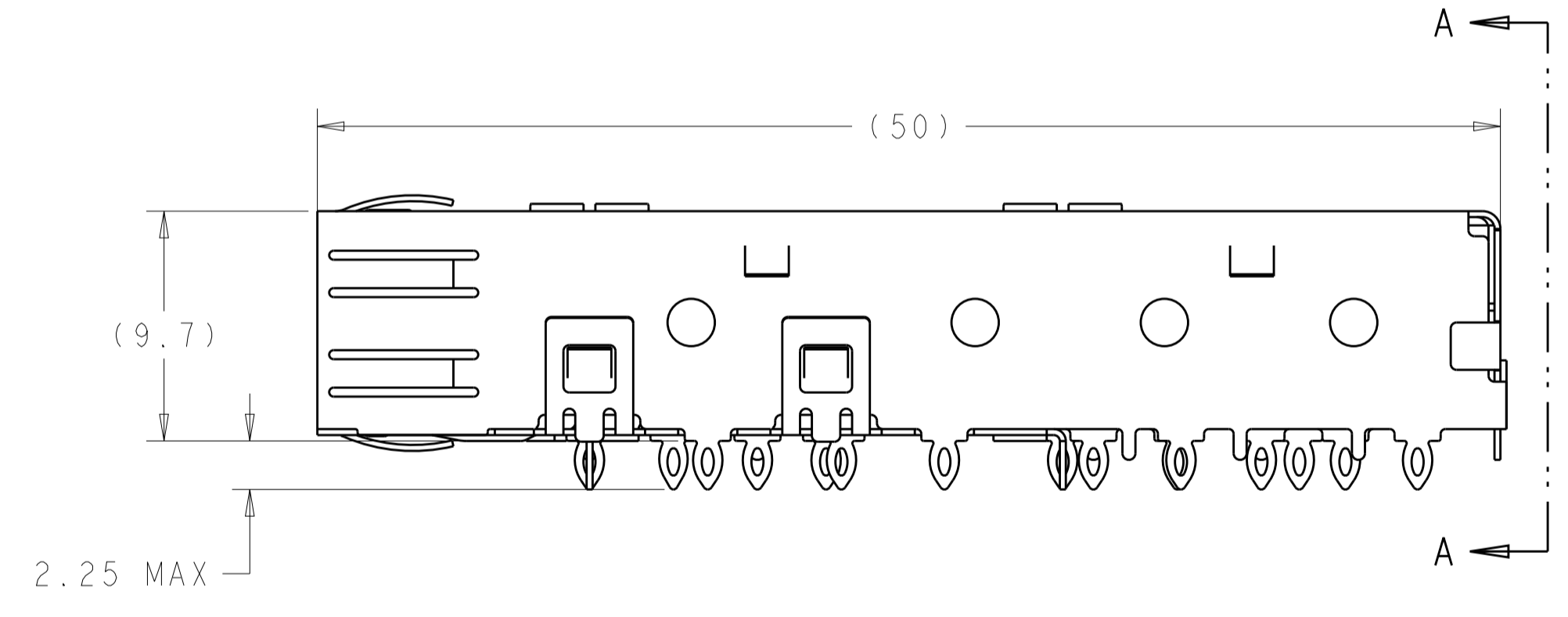
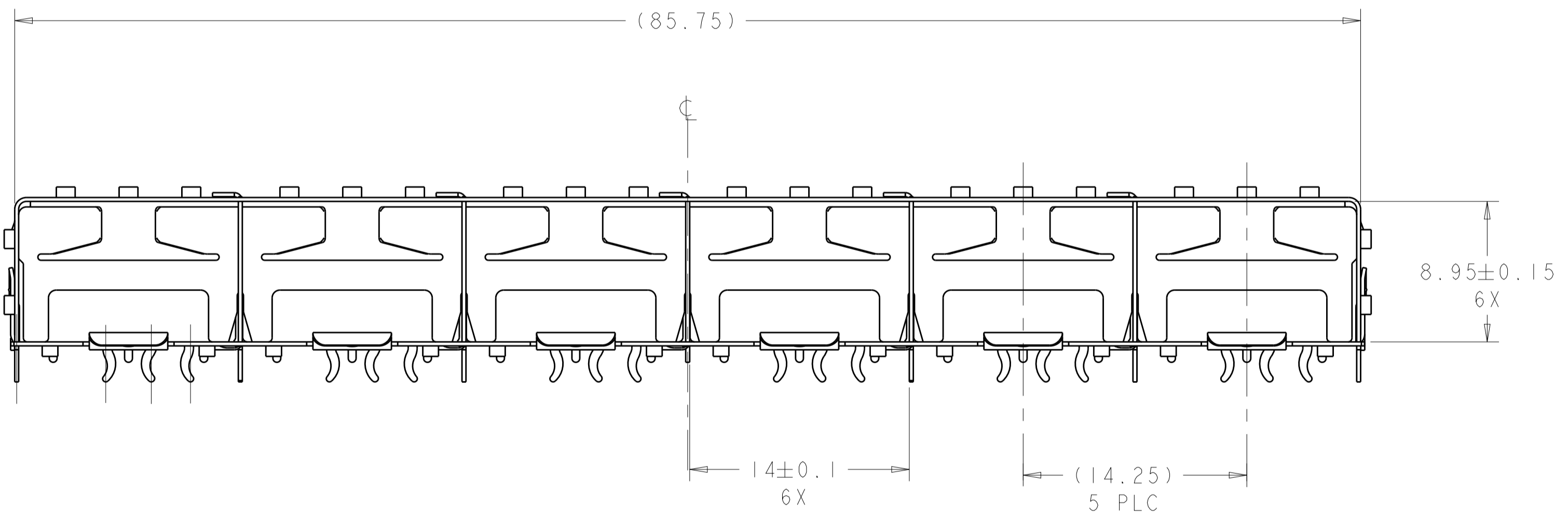


SCALE 3:1

- 1 MATERIAL: COPPER ALLOY.
- 2 TIN PLATING PER ASTM B 545, 1.25µm MINIMUM THICKNESS, ALL OVER NICKEL FLASH PER QQ-N-290. NON-PLATED EDGES ARE PERMISSIBLE.
- 3 DATUM AND BASIC DIMENSIONS ESTABLISHED BY CUSTOMER.
- 4 PADS AND VIAS CHASSIS GROUND.
- 5 REFERENCE APPLICATION SPEC 114-13120, HOLE A, FOR RECOMMENDED DRILL HOLE DIAMETER AND PLATING THICKNESSES.
- 6 COMPANY LOGO IN APPROXIMATE AREA SHOWN
- 7 DATE CODE AND PART NUMBER IN APPROXIMATE AREA SHOWN
- 8 MATERIAL: NICKEL SILVER ALLOY(NO PLATING)



1761015-18-3  
SCALE 3:1



SECTION A-A

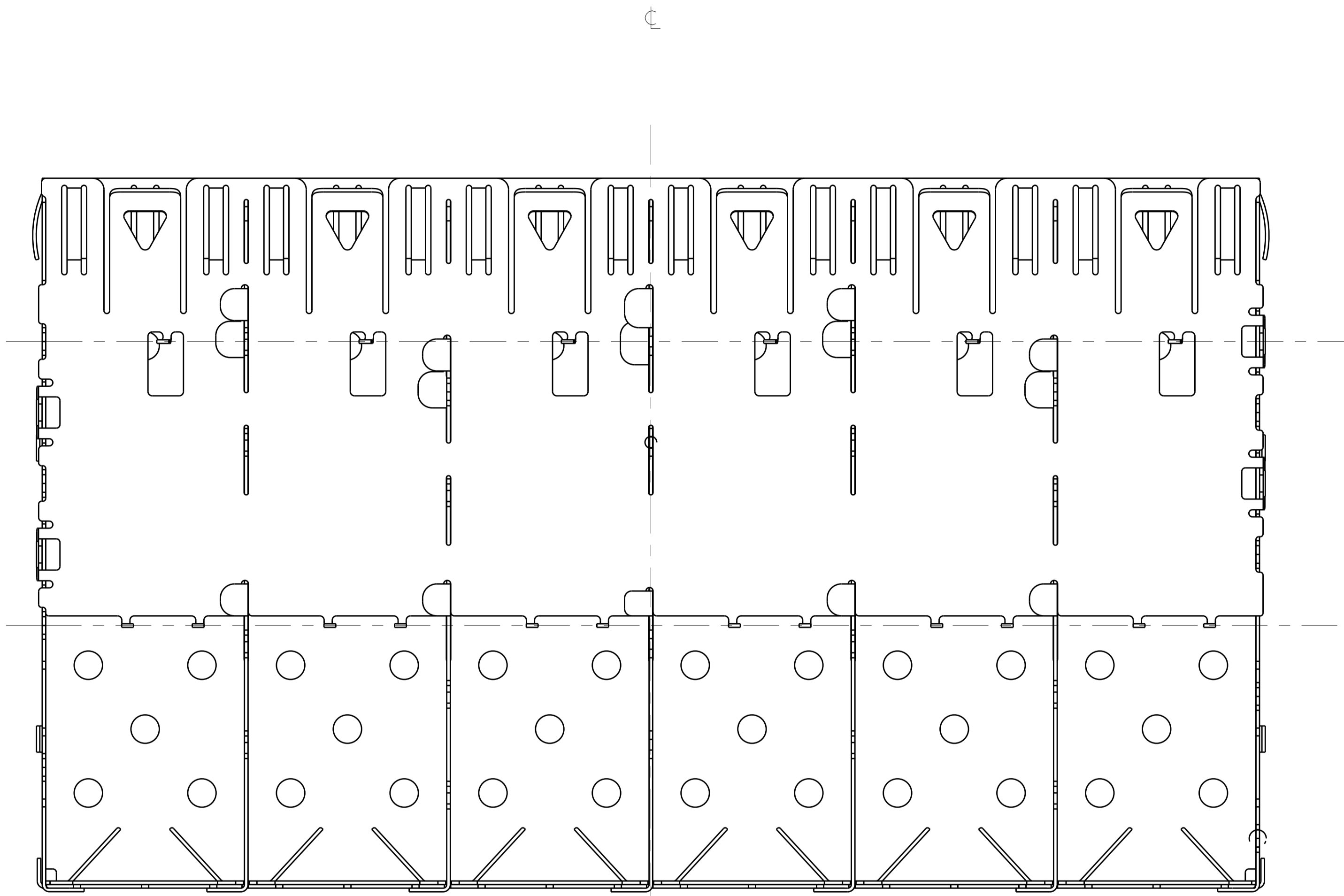
**SUPERSEDED BY:**  
1761015-3

FINISH	MATERIAL	DESCRIPTION	PART NO
		1X6 CAGE ASSEMBLY	1761015-3
		1X6 CAGE ASSEMBLY	1761015-1

THIS DRAWING IS A CONTROLLED DOCUMENT.		DWN: J. VAN SCOY FEB2004	TE Connectivity
DIMENSIONS: mm		CHK: M. PHILLIPS FEB2004	
TOLERANCES UNLESS OTHERWISE SPECIFIED:		APVD: M. PHILLIPS FEB2004	NAME: ASSEMBLY, CAGE, PRESS FIT, 1X6, SFP
0 PLC ±	1 PLC ±0.10	PRODUCT SPEC 108-1950	SIZE: A100779
2 PLC ±	3 PLC ±	APPLICATION SPEC 114-13120	CAGE CODE: 1761015
4 PLC ±	ANGLES ±2°	WEIGHT	RESTRICTED TO
MATERIAL 1	FINISH 2	Customer Drawing	SCALE: 4:1 SHEET 1 OF 4 REV F

THIS DRAWING IS UNPUBLISHED. RELEASED FOR PUBLICATION 20  
COPYRIGHT 20 . ALL RIGHTS RESERVED.

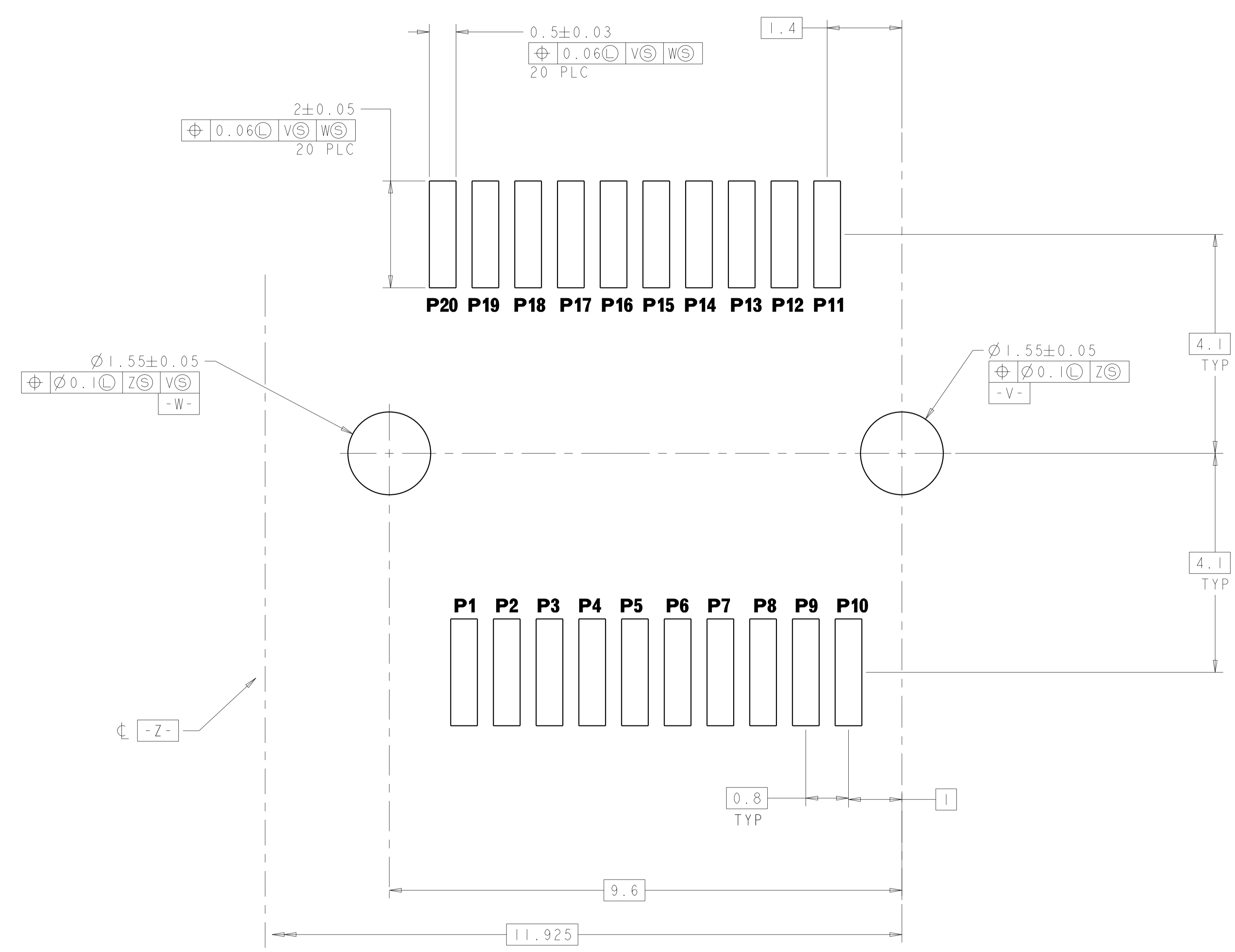
LOC		DIST		REVISIONS			
GP	00	P	LYR	DESCRIPTION	DATE	DWN	APVD
-	-	-	-	SEE SHEET 1	-	-	-




THIS DRAWING IS A CONTROLLED DOCUMENT.		DWN	W. VAN SCOY	11FEB2004	
DIMENSIONS:		CHK	M. PHILLIPS	11FEB2004	
mm		APVD	M. PHILLIPS	11FEB2004	
0 PLC ± 1 PLC ± 2 PLC ±0.10 3 PLC ± 4 PLC ± ANGLES ±2°		TOLERANCES UNLESS OTHERWISE SPECIFIED:		PRODUCT SPEC	NAME
		APPLICATION SPEC		108-1950	ASSEMBLY, CAGE, PRESS FIT, 1X6, SFP
MATERIAL		FINISH		114-13120	RESTRICTED TO
		WEIGHT		-	SIZE CAGE CODE DRAWING NO
		Customer Drawing		A100779C=1761015	
		SCALE		4:1	SHEET 2 OF 4
				REV	F



LOC	DIST	REVISIONS			
P	LTN	DESCRIPTION	DATE	DMN	APVD
-	-	SEE SHEET 1	-	-	-



DETAIL U  
SCALE 20:1

THIS DRAWING IS A CONTROLLED DOCUMENT.		DMN W. VAN SCOY	11FEB2004	 TE Connectivity
DIMENSIONS: mm		CHK M. PHILLIPS	11FEB2004	
TOLERANCES UNLESS OTHERWISE SPECIFIED:		APVD M. PHILLIPS	11FEB2004	NAME
0 PLC ±		PRODUCT SPEC		ASSEMBLY, CAGE, PRESS FIT, 1X6, SFP
1 PLC ±0.10		APPLICATION SPEC		RESTRICTED TO
2 PLC ±		114-13120		SIZE CAGE CODE DRAWING NO
3 PLC ±		WEIGHT		A100779C=1761015
4 PLC ±		Customer Drawing		SCALE 4:1 SHEET 4 OF 4 REV F
ANGLES ±2°				
FINISH				