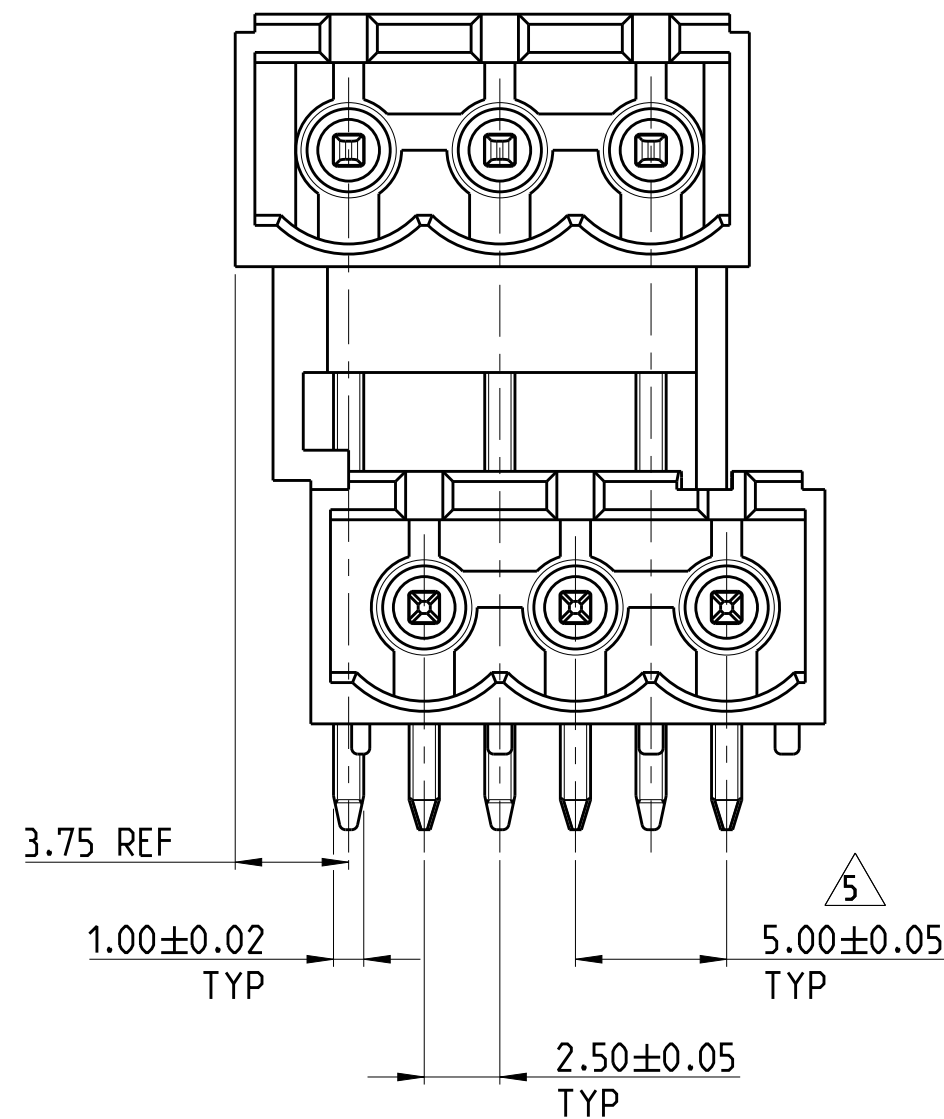
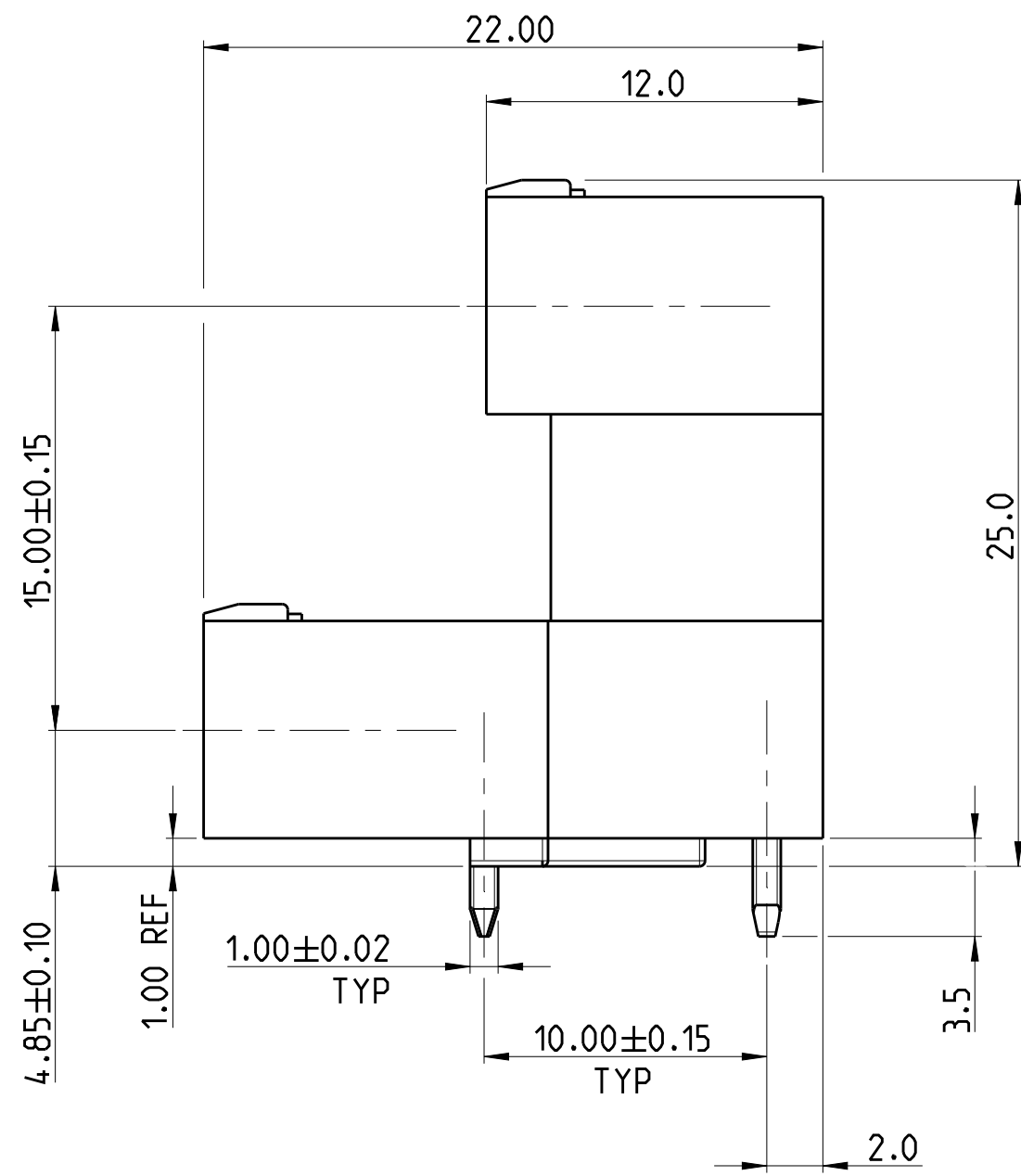


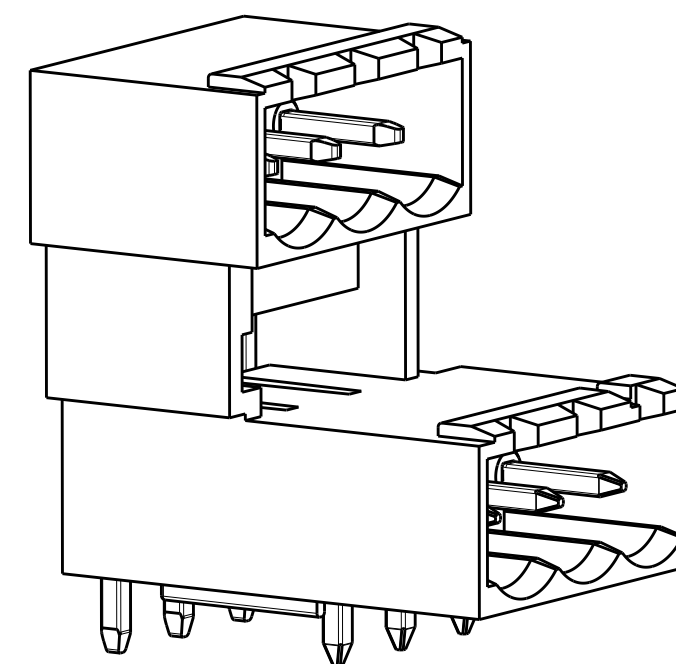
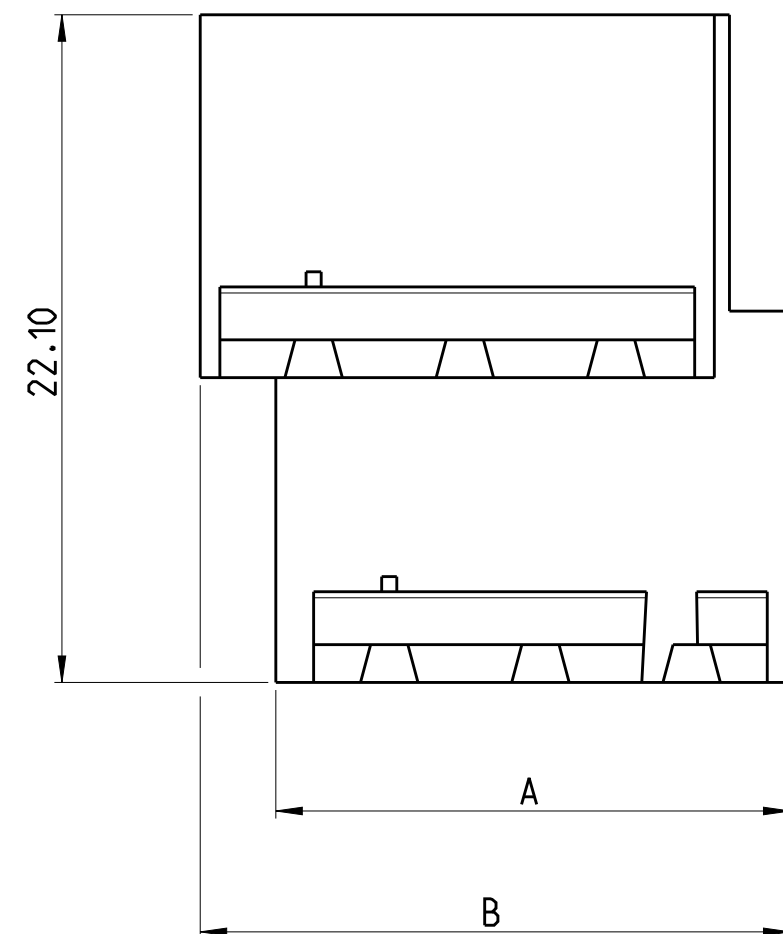
THIS DRAWING IS UNPUBLISHED. RELEASED FOR PUBLICATION 20  
 © COPYRIGHT 20 BY - ALL RIGHTS RESERVED.

LOC		DIST		REVISIONS			
P	LTR	DESCRIPTION	DATE	DWN	APVD		
P1		REVISED PER ECO-12-007714	25APR2012	KH	MS		
P2		STANDOFF DIMENSIONS OF 1mm SHOWN IN C4	11APR2016	FP	NG		



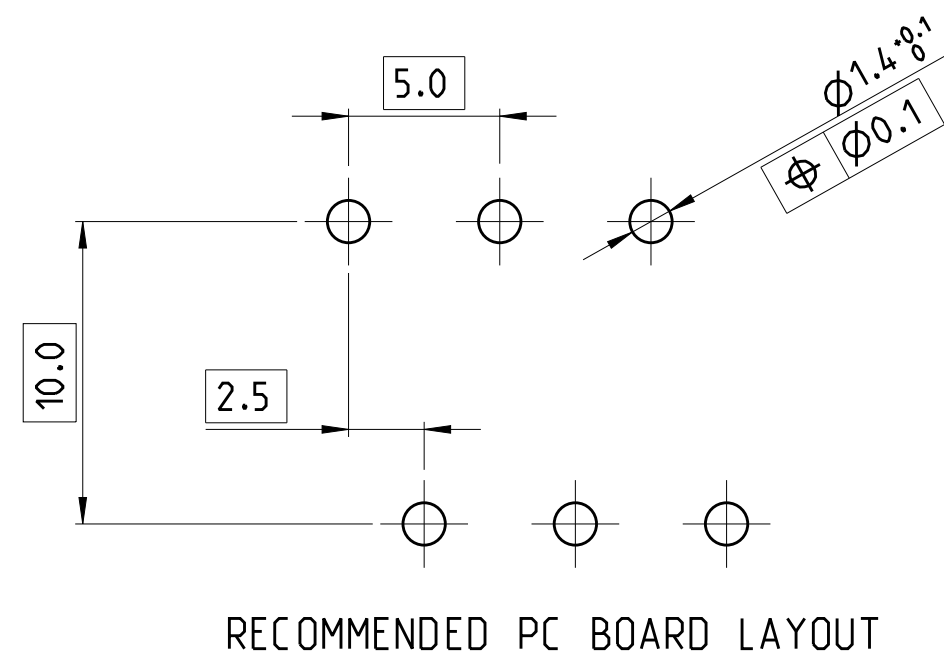
NOTES

- MATERIALS AND FINISH  
 HOUSING : HIGH TEMPERATURE POLYAMIDE, UL 94V-0 RATED, COLOR: BLACK.  
 TERMINAL : COPPER ALLOY, TIN PLATED.
- MECHANICAL  
 MAX. INSERTION FORCE PER HOLE : 3N  
 MIN. WITHDRAWAL FORCE PER HOLE : 1.5N  
 PCB THICKNESS : MAX 2.4 mm
- ELECTRICAL  
 WIRE RANGE : 30 - 12 AWG  
 MAX. VOLTAGE : 300 V  
 MAX CURRENT : 15 A  
 CONTACT RESISTANCE : < 15 m Ohm  
 INSULATION RESISTANCE : > 1000 M Ohm (500V DC)
- OPERATING TEMPERATURE RANGE: -40 °C TO +110 °C
- TOLERANCE NOT CUMULATIVE.
- P/Ns FROM 1776166-4 TO 1776166-8 ARE OBTAINED BY ASSEMBLING 1776166-2 AND 1776166-3 TO ACHIEVE THE DESIRED NUMBER OF POSITIONS.



1776166-3 AS SHOWN

44.5	42.0	8	1776166-8
39.5	37.0	7	1776166-7
34.5	32.0	6	1776166-6
29.5	27.0	5	1776166-5
24.5	22.0	4	1776166-4
19.5	17.0	3	1776166-3
14.5	12.0	2	1776166-2
B	A	NO OF POSN	PART NUMBER



DIMENSIONS:		TOLERANCES UNLESS OTHERWISE SPECIFIED:		DWN		S.WELDON		19 JUL 2005	
mm		0 PLC ±0.3		CHK		C.RICHARD		19 JUL 2005	
		1 PLC ±0.25		APVD		C.RICHARD		19 JUL 2005	
		2 PLC ±		PRODUCT SPEC					
		3 PLC ±		APPLICATION SPEC					
		4 PLC ±		WEIGHT					
		ANGLES ±2°		CUSTOMER DRAWING					
		FINISH		SCALE		4:1		SHEET 1 OF 1	
MATERIAL		SEE NOTES		REV		P2			

**STE** TE Connectivity  
 NAME: TERMINAL BLOCK HEADER ASSEMBLY, MULTIPLE, 90 DEGREE, CLOSED ENDS, 5.00mm PITCH

SIZE: A2 CAGE CODE: 00779 DRAWING NO: C-1776166 RESTRICTED TO: -  
 SCALE: 4:1 SHEET 1 OF 1 REV: P2