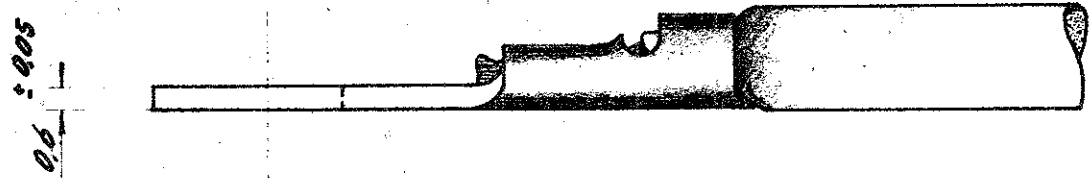
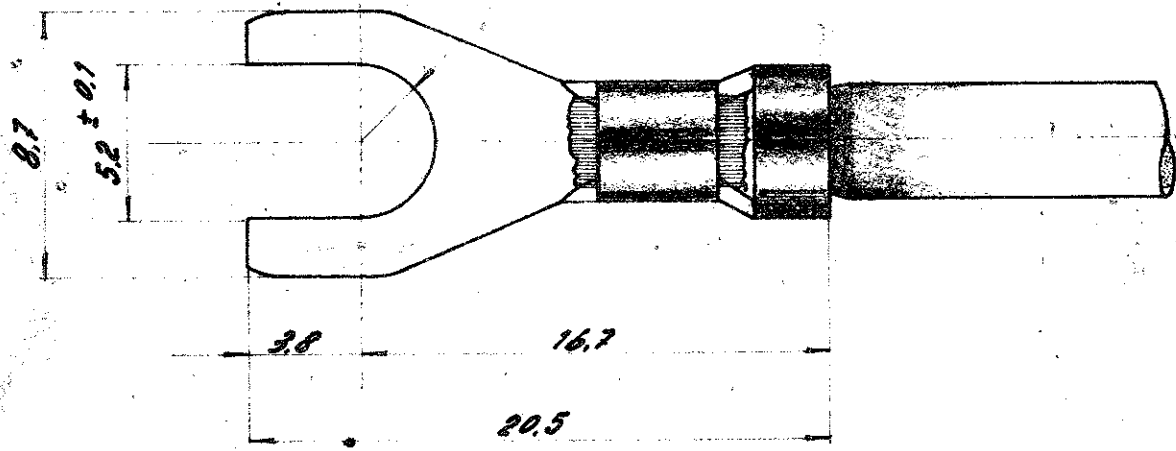


NUMBER
C-180396



⚠️ OBSOLETE PARTS: OBSOLETE CIS STREAMLINING PER D.RENAUD/D.SINISI

PROIEZIONE AMERICANA

DIMENSIONS IN mm DO NOT SCALE PRINT

© 1971 BY AMP INCORPORATED. ALL RIGHTS RESERVED. AMP PRODUCTS COVERED BY PATENTS AND OR PATENTS PENDING.

CUSTOMER COPY
REFERENCE ONLY

MATERIAL AND FINISH

180396-1 OTTONE ⚠️



AMP ITALIA
VIA CERVI 15
COLLEGNO (TORINO)

G1	REVISED PER ECO-09-026346	KK	AEG	26 NOV 09
G	Revised E100-0067-1	G.S		09/03/01
G	RIDISEGNATO	FF		23-8
LTR	REVISION RECORD	DR	CHK	DATE
DR	Fucini P. 23 NOV 57		DE	
CHK	Poffo 23-8-71		APP	

WIRE	RANGE	INSULATION
Ø 2.8 ± 0.04	2 #/m ²	Ø 2.6 ± 0.04
TOLERANCE EXCEPT AS NOTED	SCALE	LOC
± 0.1	4:1	1
NAME		

CLASS	A.M.	
TYPE	A FORCELLA	
NO	C-180396	REV
1		G1

SPADE TERMINAL