

THIS DRAWING IS UNPUBLISHED. RELEASED FOR PUBLICATION 20
 © COPYRIGHT 20 BY TYCO ELECTRONICS CORPORATION. ALL RIGHTS RESERVED.

| LOC | DIST | REVISIONS | | | |
|-----|------|---------------|-----------|-----|------|
| P | LTR | DESCRIPTION | DATE | DWN | APVD |
| | B | ECR-08-007620 | 1-15-09 | DDE | LS |
| | B1 | ADD NOTE 2 | 12MAR2009 | BB | SB |
| | B2 | REMOVE NOTE 6 | 03AUG2009 | KG | LS |

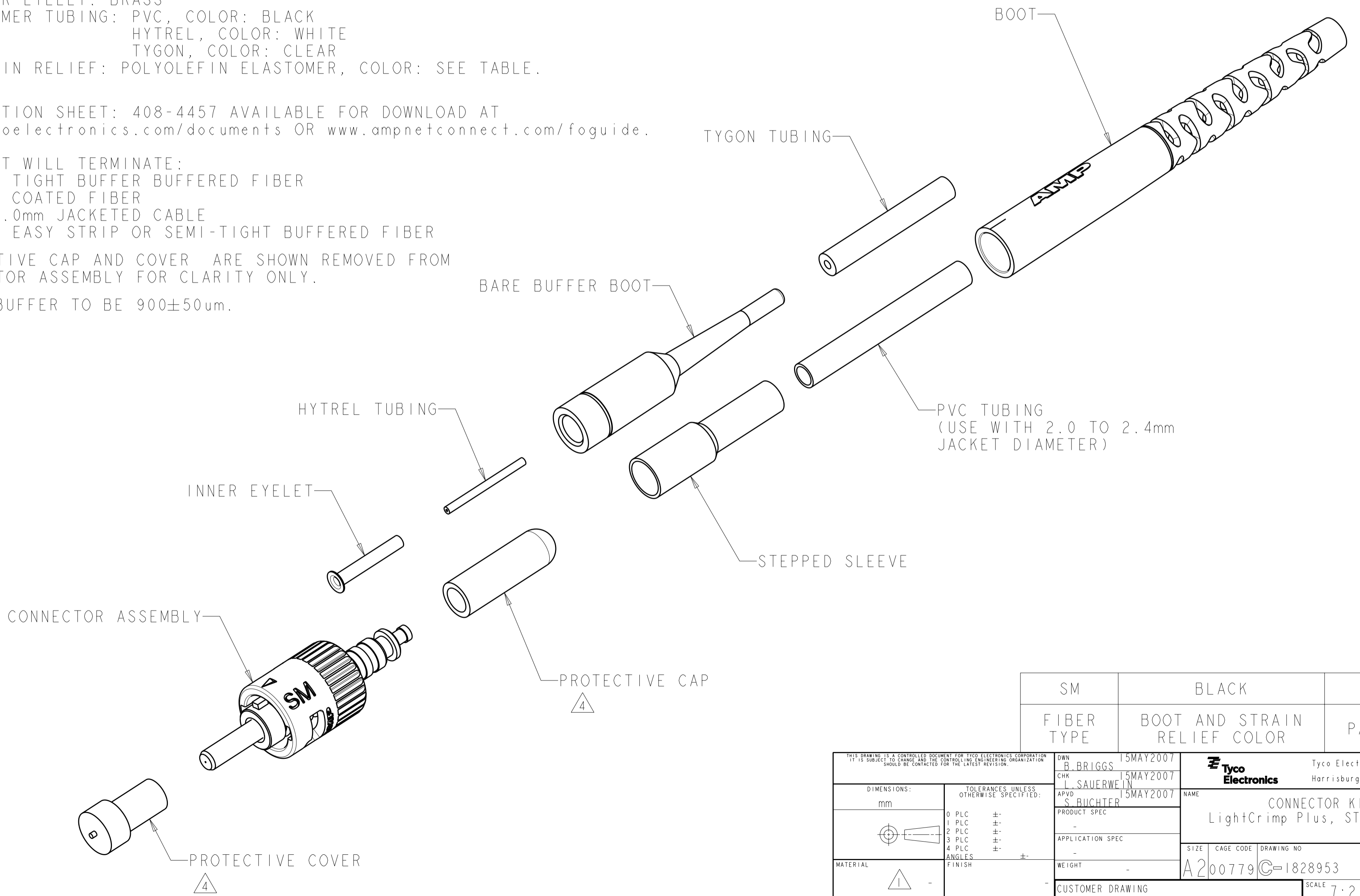
- 1 MATERIAL:
 CONNECTOR ASSEMBLY
 REAR BODY: ALUMINUM ALLOY
 PLUNGER: ALUMINUM ALLOY
 FERRULE: CERAMIC
 COUPLING NUT: ZINC, NICKEL PLATED
 INTERNAL COMPONENTS: PEI, COLOR: NATURAL
 PROTECTIVE COVER: LDPE, COLOR: BLACK, NON-FR
 PROTECTIVE CAP: VINYL, COLOR: BLACK
 CRIMP EYELET: COPPER, NICKEL PLATED
 INNER EYELET: BRASS
 POLYMER TUBING: PVC, COLOR: BLACK
 HYTREL, COLOR: WHITE
 TYGON, COLOR: CLEAR
 STRAIN RELIEF: POLYOLEFIN ELASTOMER, COLOR: SEE TABLE.

2. INSTRUCTION SHEET: 408-4457 AVAILABLE FOR DOWNLOAD AT
www.tycoelectronics.com/documents OR www.ampnetconnect.com/foguide.

3. THIS KIT WILL TERMINATE:
 900um TIGHT BUFFER BUFFERED FIBER
 250um COATED FIBER
 2.0-3.0mm JACKETED CABLE
 900um EASY STRIP OR SEMI-TIGHT BUFFERED FIBER

4 PROTECTIVE CAP AND COVER ARE SHOWN REMOVED FROM
 CONNECTOR ASSEMBLY FOR CLARITY ONLY.

5. TIGHT BUFFER TO BE 900±50um.



| | | |
|------------|------------------------------|-------------|
| SM | BLACK | 1828953-3 |
| FIBER TYPE | BOOT AND STRAIN RELIEF COLOR | PART NUMBER |

| | | | |
|--|--|---|---|
| <small>THIS DRAWING IS A CONTROLLED DOCUMENT FOR TYCO ELECTRONICS CORPORATION. IT IS SUBJECT TO CHANGE AND THE CONTROLLING ENGINEERING ORGANIZATION SHOULD BE CONTACTED FOR THE LATEST REVISION.</small> | | DWN B. BRIGGS 15MAY2007 CHK L. SAUERWEIN 15MAY2007 APVD S. BUCHTER 15MAY2007 | Tyco Electronics Harrisburg, PA 17105-3608 |
| DIMENSIONS: mm | | TOLERANCES UNLESS OTHERWISE SPECIFIED: 0 PLC ± 1 PLC ± 2 PLC ± 3 PLC ± 4 PLC ± ANGLES ± FINISH | NAME: CONNECTOR KIT, LightCrimp Plus, ST STYLE, SM SIZE: A2 CAGE CODE: 00779 DRAWING NO: C-1828953 RESTRICTED TO: - |
| MATERIAL: 1 - | | PRODUCT SPEC: - APPLICATION SPEC: - WEIGHT: - | SCALE: 7:2 SHEET 1 OF 1 REV: B2 |