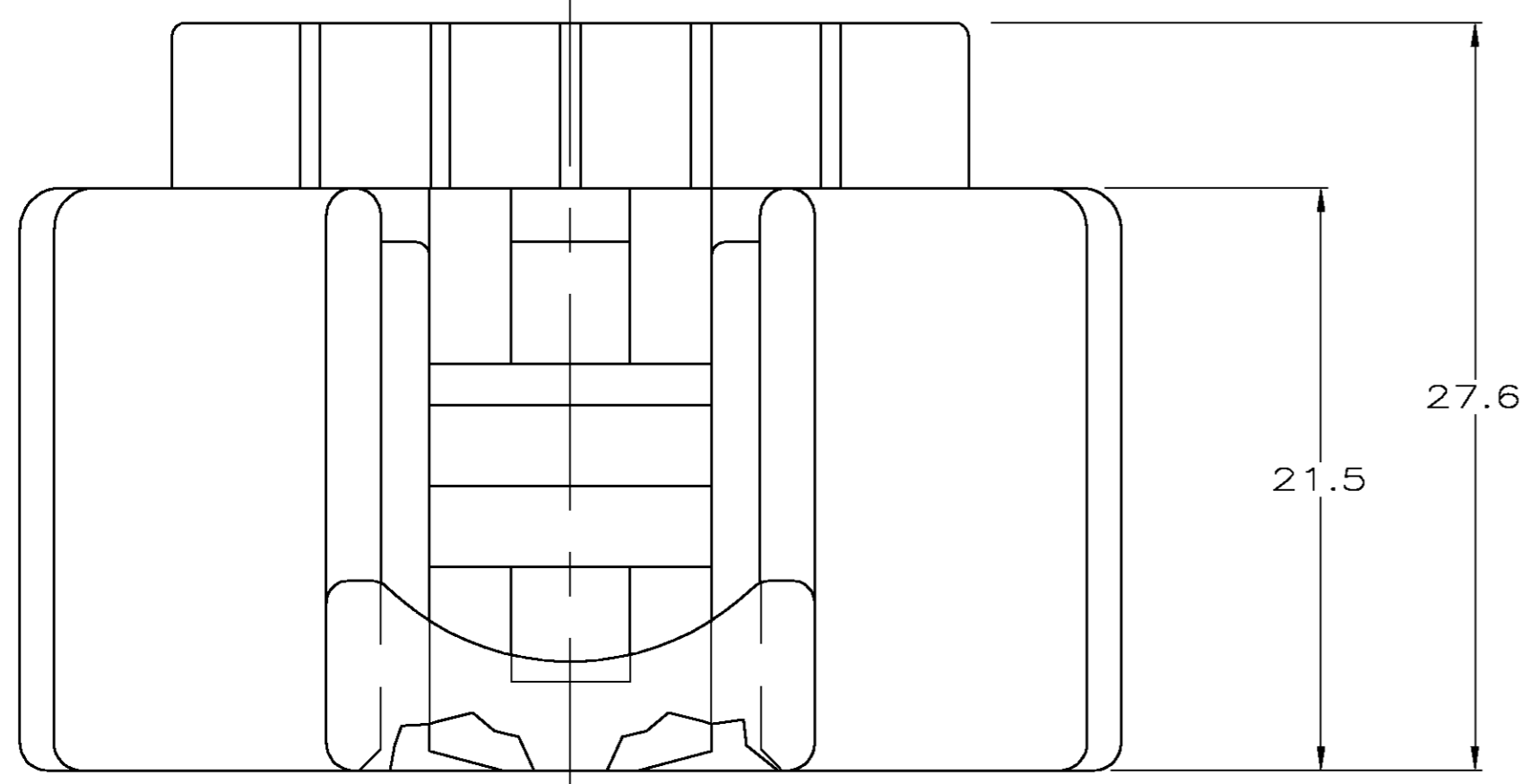
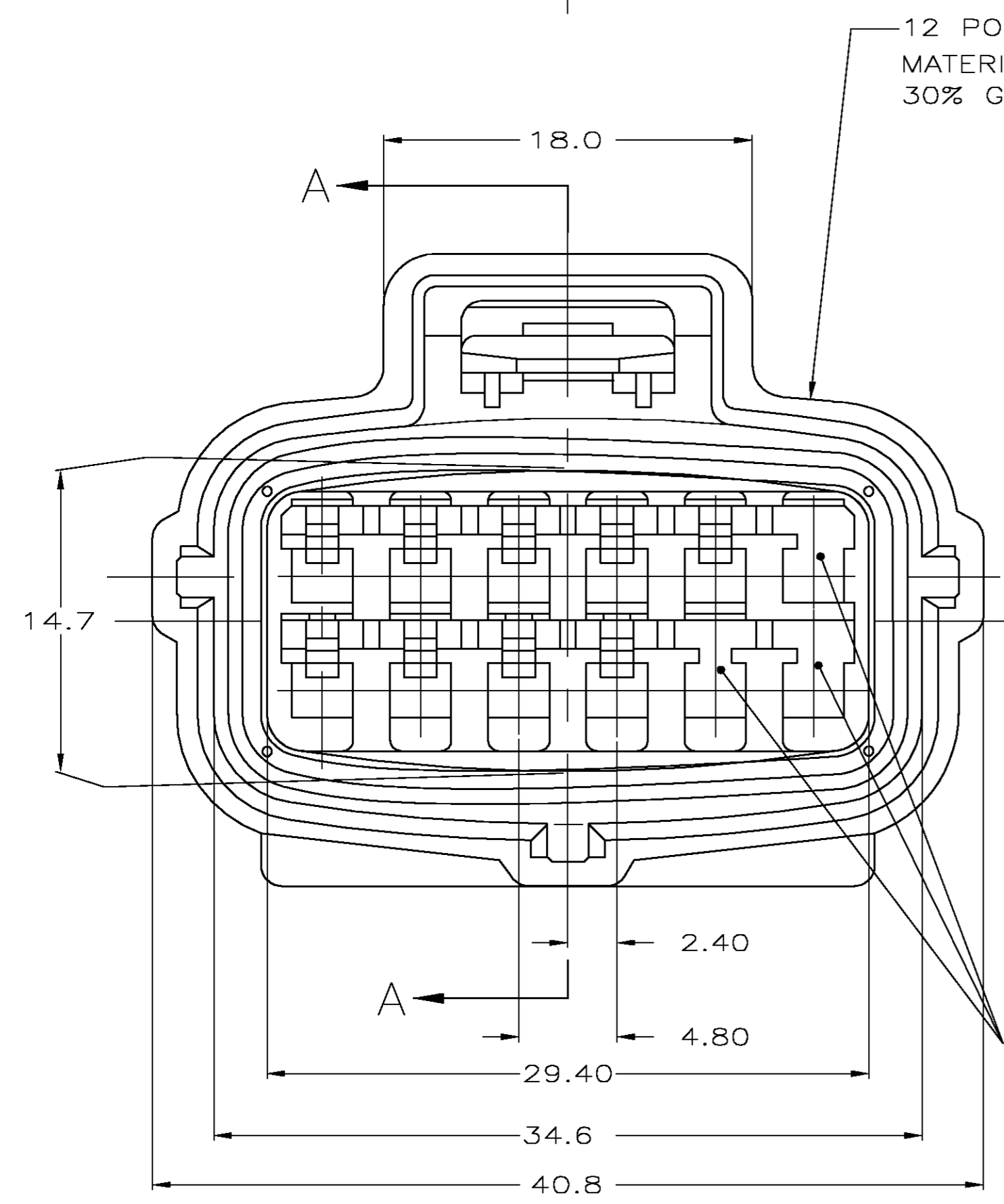


THIS DRAWING IS UNPUBLISHED. RELEASED FOR PUBLICATION
 © COPYRIGHT BY TYCO ELECTRONICS CORPORATION. ALL RIGHTS RESERVED.

LOC		DIST		REVISIONS			
P	LTR	DESCRIPTION		DATE	DWN	APVD	
GE	00	J	REV PER EC 0K40-0448-03	25JUN03	AH	KLC	

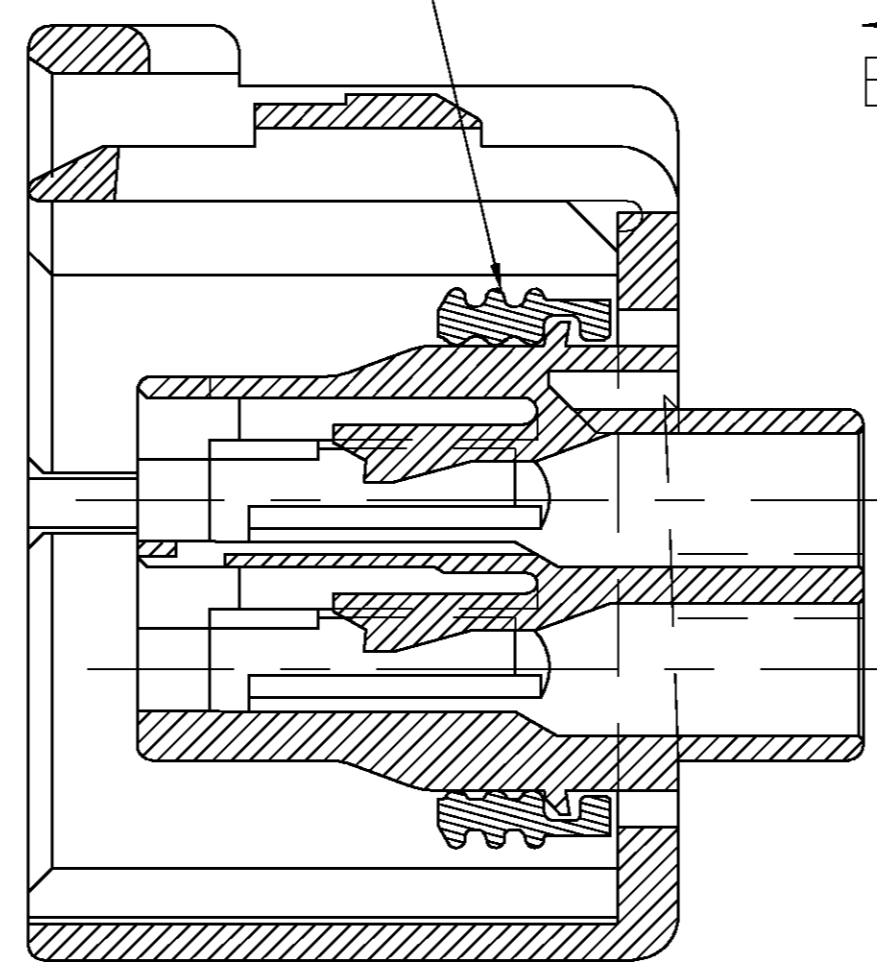


SECONDARY LOCK PLATE, P/N 184058-1, REQUIRED AS A SEPARATE COMPONENT.



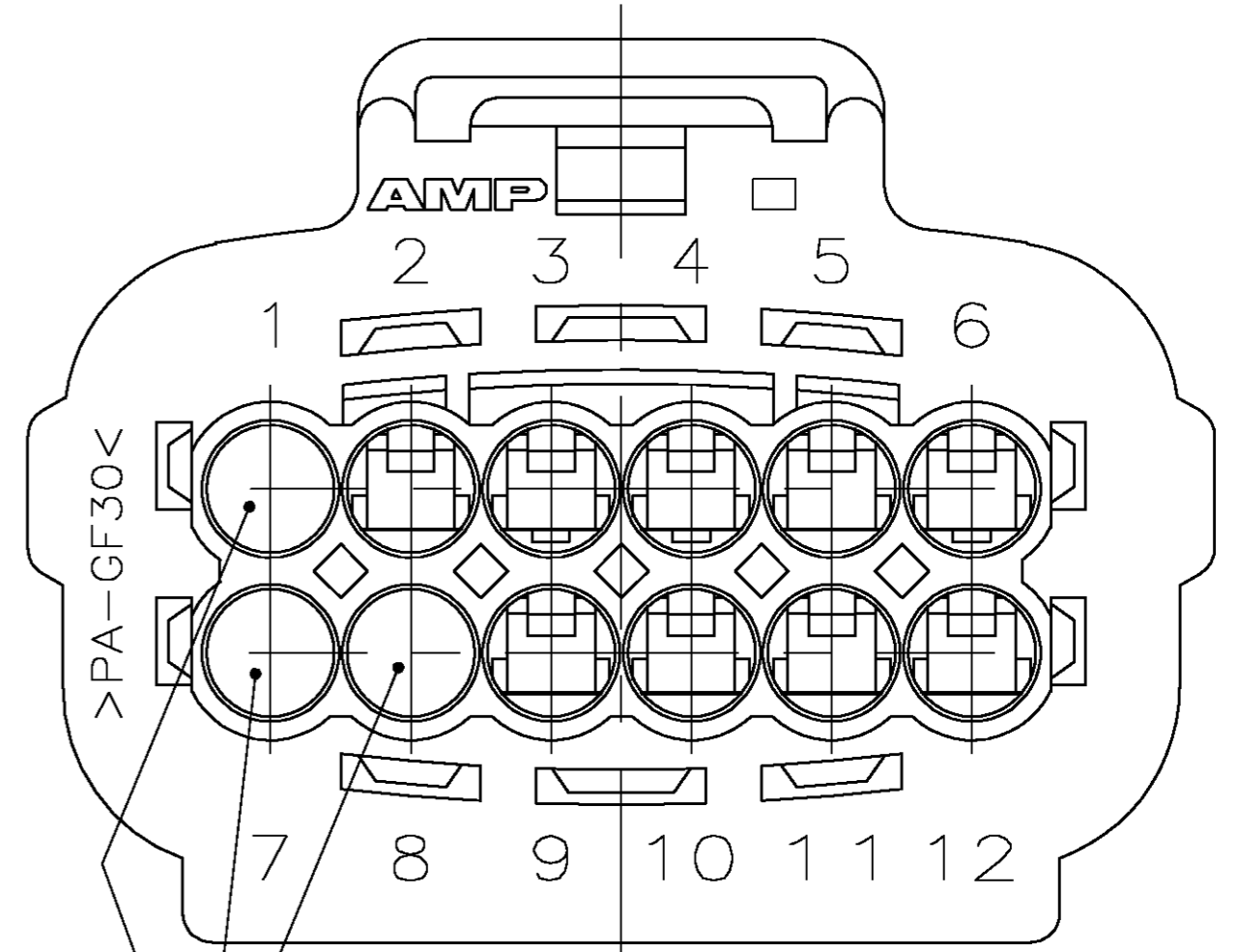
12 POSITION PLUG
 MATERIAL: 4/6 NYLON
 30% GLASS FILLED

SEAL RING
 MATERIAL:
 SILICONE RUBBER



SECTION A-A

THESE CIRCUITS BLOCKED
 (#1, #7, #8)



VIEW B-B

THESE CIRCUITS
 BLOCKED

THIS DRAWING IS A CONTROLLED DOCUMENT.		DWN	KD LYTLE	9/14/94	BLACK		184099-1	
DIMENSIONS:		CHK	JP KUNKLE	11/10/94	PLUG COLOR		PART NUMBER	
MM		APVD	JP KUNKLE	11/10/94	Tyco Electronics Corporation		Harrisburg, PA 17105-3608	
TOLERANCES UNLESS OTHERWISE SPECIFIED:		PRODUCT SPEC			NAME		12 POSITION PLUG ASSY.	
0 PLC	± -	APPLICATION SPEC			SIZE	CAGE CODE	DRAWING NO	RESTRICTED TO
1 PLC	± 0.3				A2	00779	C=184099	-
2 PLC	± 0.15				SCALE		SHEET	OF
3 PLC	± -				4:1		1	1
4 PLC	± -				CUSTOMER DRAWING		REV	J
ANGLES	± -							
FINISH	-							