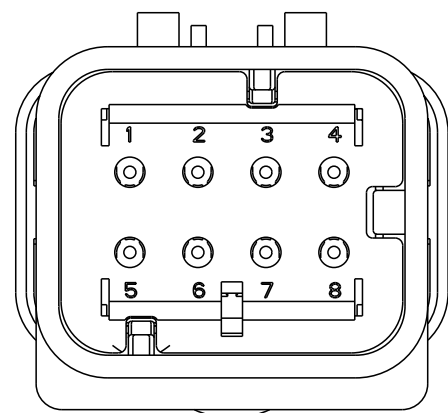
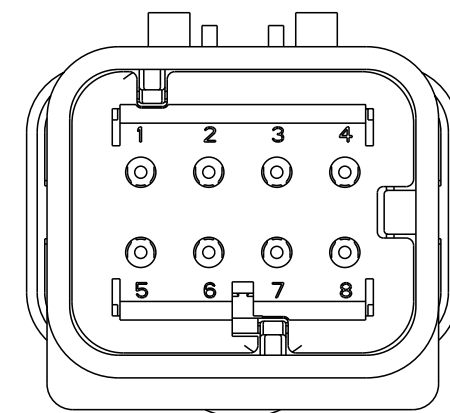


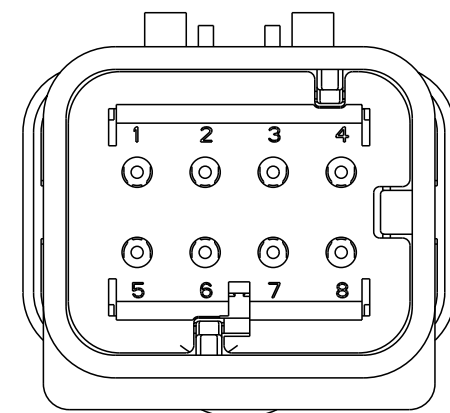
REVISIONS				
P	LTR	DESCRIPTION	DATE	APVD
C	I	REVISED PER ECR-10-019377	04OCT2010	HMR T.M
D		REVISED PER ECR-14-000206	26DEC2013	DR RB
D	I	REVISED ECR-19-001885	07FEB2019	KF TK



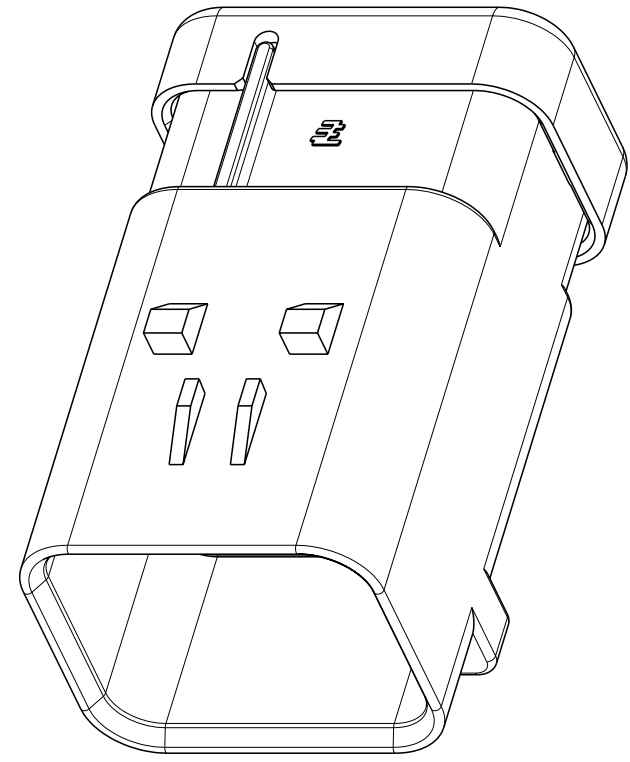
1871415-2  
SCALE 2:1



1871415-3  
SCALE 2:1

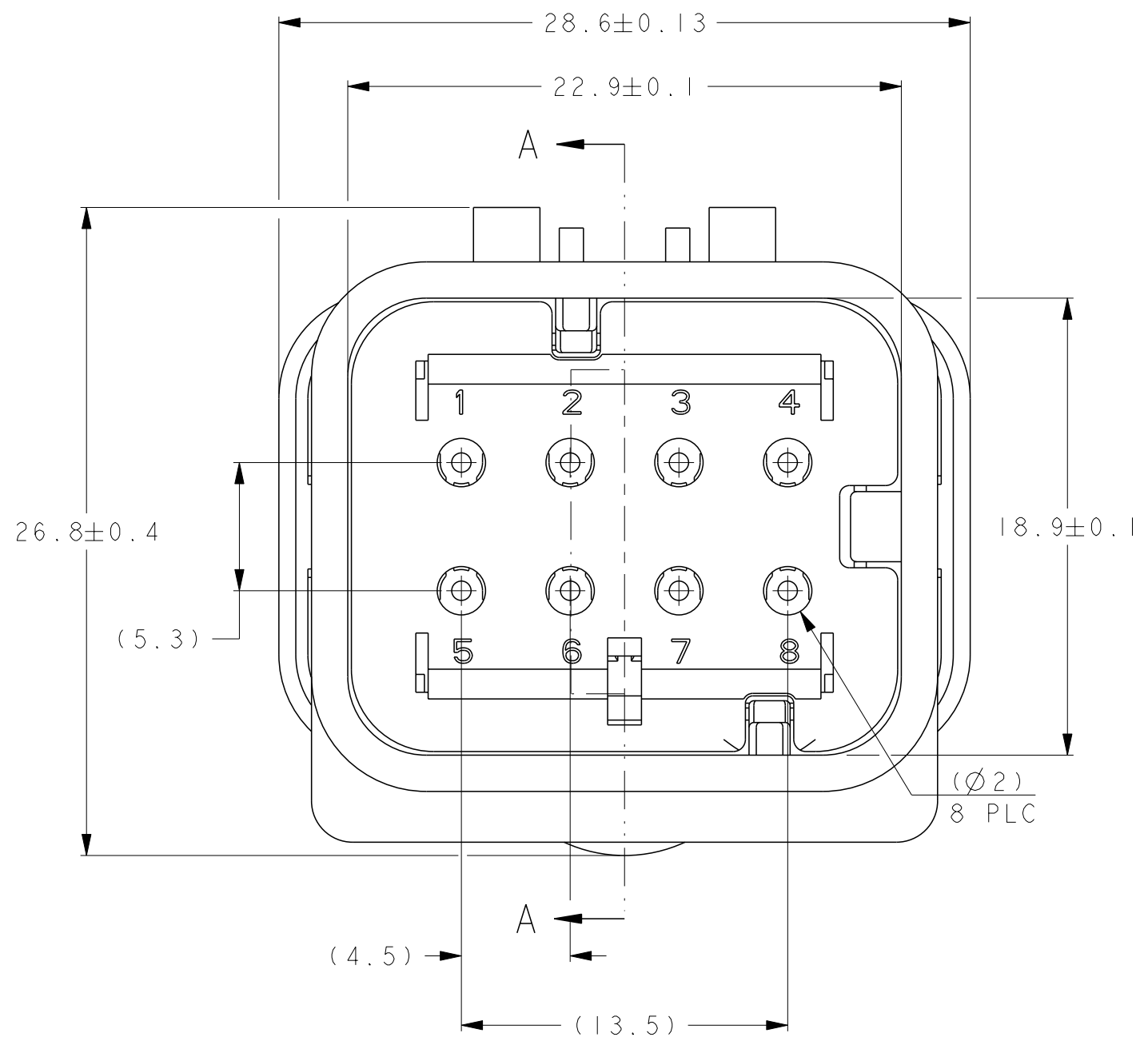


1871415-4  
SCALE 2:1

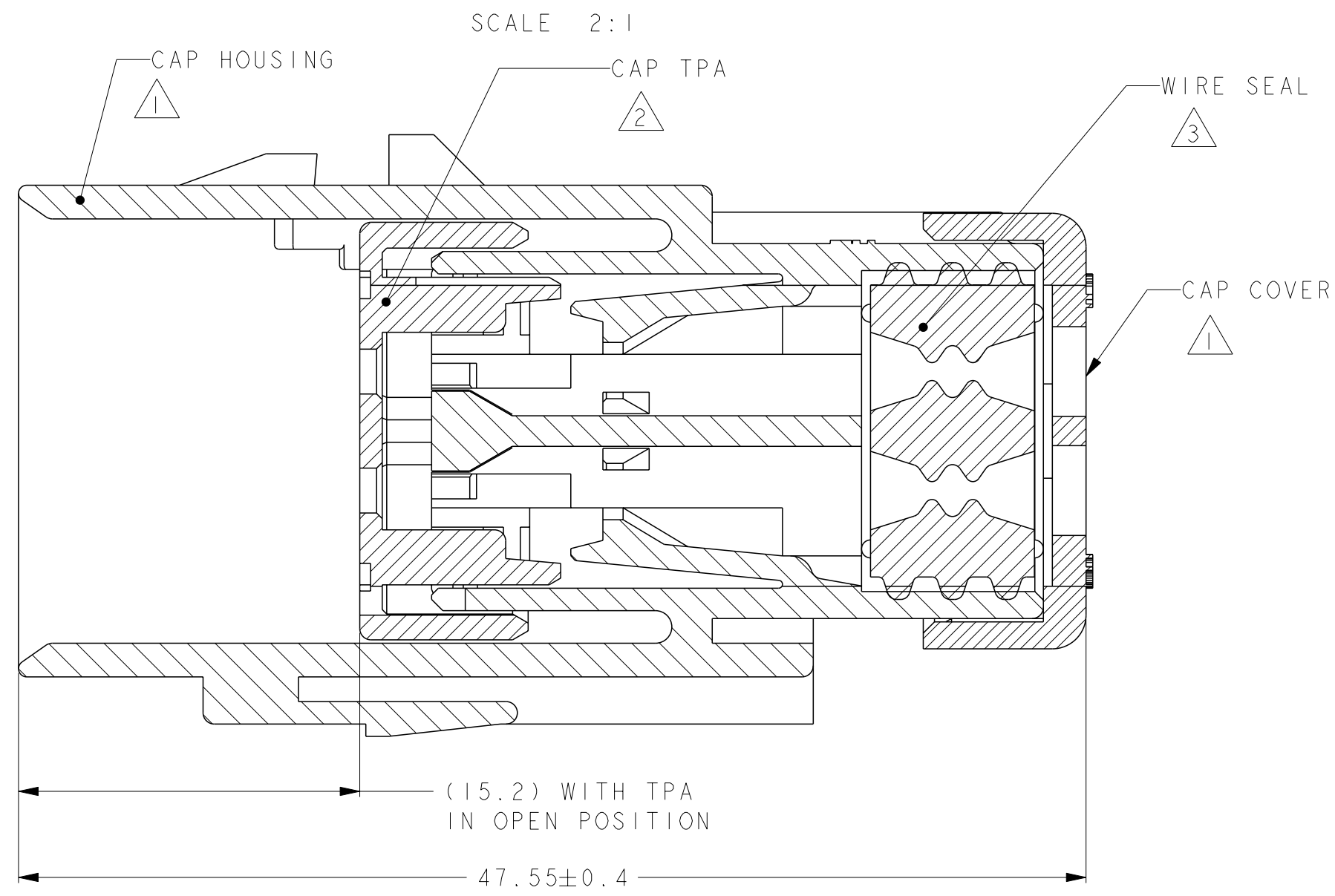


- ① MATERIAL: 15% GLASS FILLED THERMOPLASTIC  
COLOR: BLACK
- ② MATERIAL: 15% GLASS FILLED THERMOPLASTIC  
COLOR: (SEE TABLE)
- ③ MATERIAL: SILICONE  
COLOR: RUST

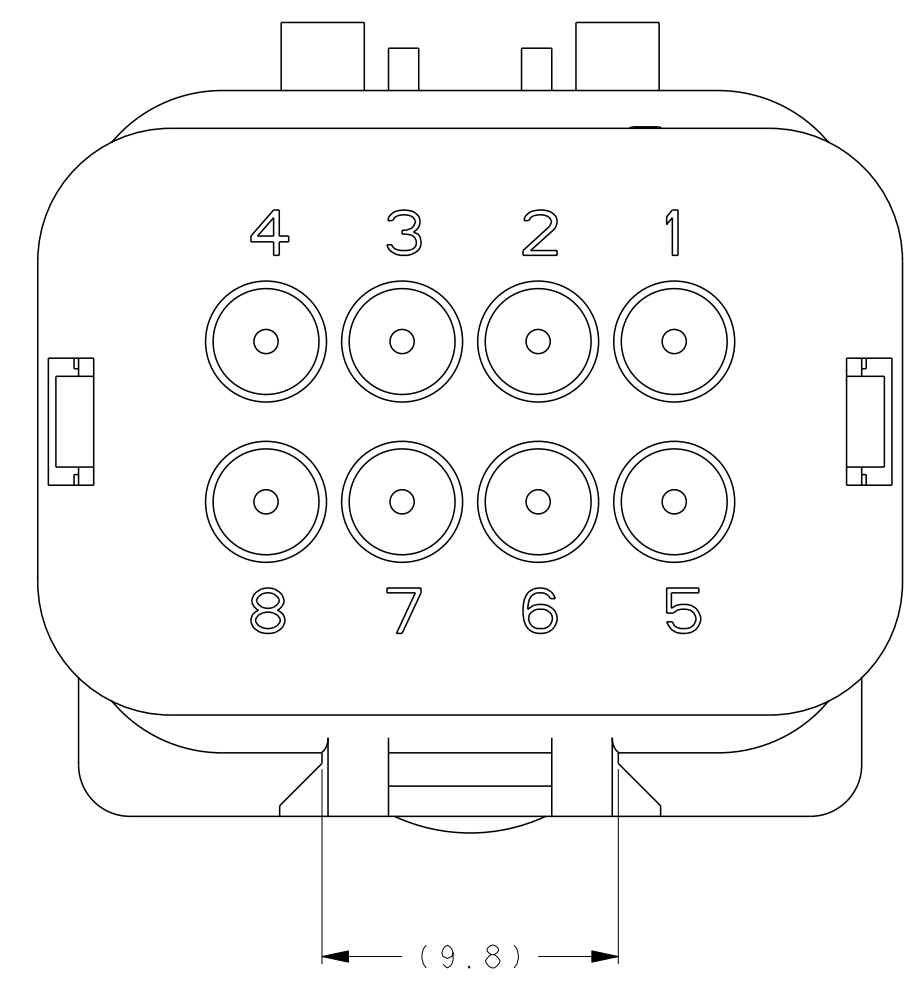
4. WIRE INSULATION RANGE:  $\phi 1.3 \sim \phi 2.3$



1871415-1 SHOWN



A - A  
OPEN POSITION



GREEN	1871415-4
YELLOW	1871415-3
GRAY	1871415-2
RED	1871415-1
TPA COLOR	PART NUMBER

THIS DRAWING IS A CONTROLLED DOCUMENT.		DWN Y. KATO	15JAN2004	<b>STE</b> TE Connectivity													
DIMENSIONS: mm		CHK S. MANABE	15JAN2004														
TOLERANCES UNLESS OTHERWISE SPECIFIED:		APVD S. MANABE	15JAN2004														
<table border="0"> <tr><td>0 PLC</td><td>±</td></tr> <tr><td>1 PLC</td><td>±</td></tr> <tr><td>2 PLC</td><td>±</td></tr> <tr><td>3 PLC</td><td>±</td></tr> <tr><td>4 PLC</td><td>±</td></tr> <tr><td>ANGLES</td><td>±</td></tr> <tr><td>FINISH</td><td>-</td></tr> </table>		0 PLC	±		1 PLC	±	2 PLC	±	3 PLC	±	4 PLC	±	ANGLES	±	FINISH	-	PRODUCT SPEC 108-2184
0 PLC	±																
1 PLC	±																
2 PLC	±																
3 PLC	±																
4 PLC	±																
ANGLES	±																
FINISH	-																
MATERIAL	-	APPLICATION SPEC 114-13065	WEIGHT	SIZE A200779													
		CUSTOMER DRAWING	SCALE 4:1	DRAWING NO C-1871415													
			SHEET 1 OF 1	RESTRICTED TO - REV D1													