

THIS DRAWING IS UNPUBLISHED.

RELEASED FOR PUBLICATION

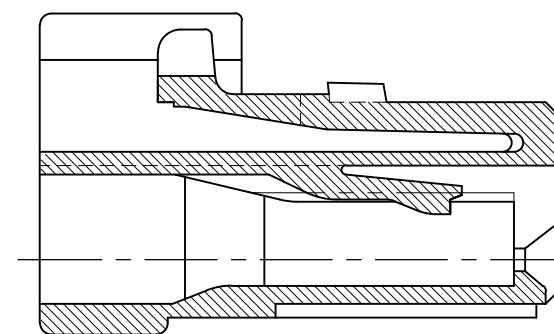
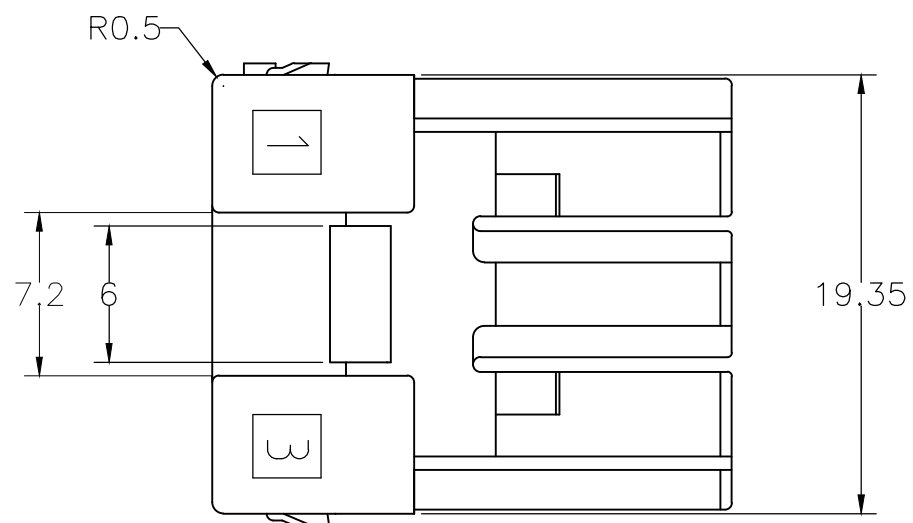
© COPYRIGHT - TE Connectivity Ltd.

ALL RIGHTS RESERVED.

REVISIONS

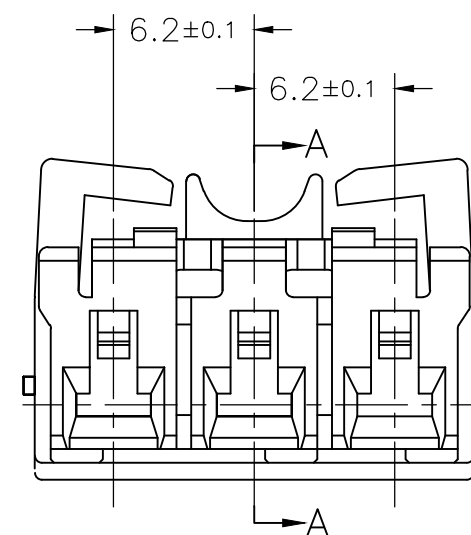
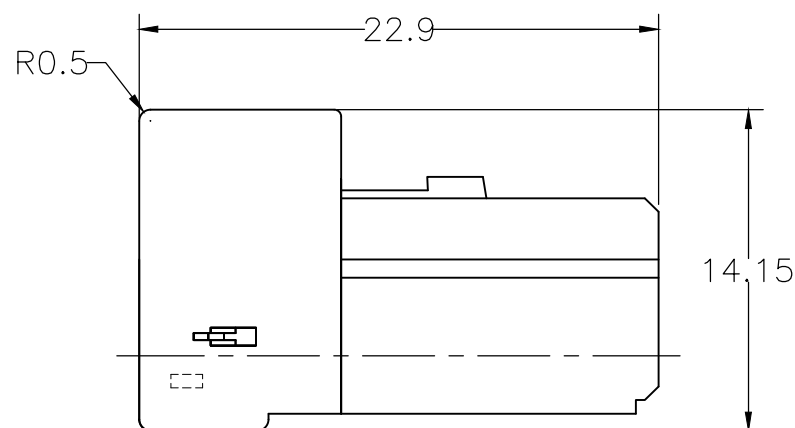
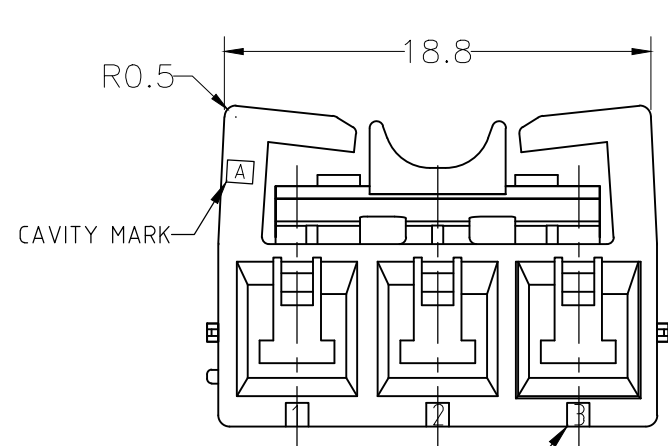
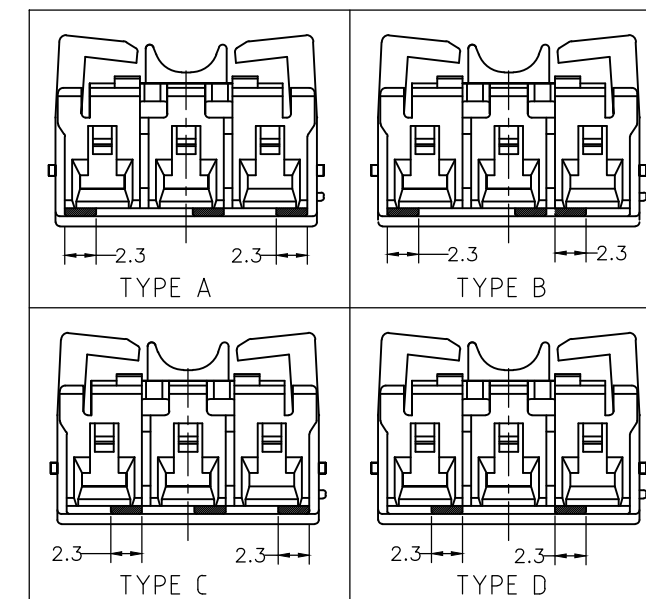
変更

P	LTR	DESCRIPTION	DATE	DWN	APVD
C3		REVISED PER ECR-20-004474	26MAR2020	SC	D.Z



断面 A-A  
SECT A-A

TYPE OF KEYING



回路番号  
CIRCUIT NO.


TRADE MARK

- 注) 1.一般公差:±0.25  
 2.材料: 66ナイロン ガラス無(UL94V-0)  
 3.適用リセコンタクト製品型番: 1746971-1  
 1746972-1
- △かん合相手製品型番  
 キャップハウジング: TABLE参照のこと  
 タブコンタクト: 1746973-1  
 1746974-1

- NOTES)  
 1.GENERAL TOLERANCE : ±0.25  
 2.MATERIAL : 66 NYLON NON-GLASS FILLED (UL94V-0)  
 3.APPLICABLE RECEPTACLE P/N :1746971-1  
 1746972-1

- △ MATING CONN. P/N  
 CAP HOUSING : SEE TABLE  
 TAB CONTACT : 1746973-1  
 1746974-1
- △ PRELIMINARY NOT FOR PRODUCTION

1-1746978-1 △	A	NATURAL	1-1871867-1 △
1746978-1	A	NATURAL	1871867-1
△ MATING HSG P/N	KEYING TYPE	COLOR	P/N

THIS DRAWING IS A CONTROLLED DOCUMENT.		DWN A.HIROTA 6SEP2005	 <b>TE Connectivity</b>	
DIMENSIONS: 単位: 耗 mm		CHK N.YAMASAKI 6SEP2005		
TOLERANCES UNLESS OTHERWISE SPECIFIED: 一般公差		APVD N.YAMASAKI 6SEP2005	NAME 名称 GRACE INERTIA CONNECTOR 6.2MM PITCH 3POS PLUG HOUSING	
0 PLC ± - 1 PLC ± - 2 PLC ± - 3 PLC ± - 4 PLC ± - ANGLES ± -		PRODUCT SPEC 製品規格 108-5979	DRAWING NO 番号 A300779 C-1871867	
MATERIAL 材料 66NYLON(UL94V-0)		FINISH 仕上 -	APPLICATION SPEC 取付適用規格 114-5356	RESTRICTED TO -
		WEIGHT -	SCALE 尺度 3:1	SHEET 1 OF 2
		CUSTOMER DRAWING	REV C3	

THIS DRAWING IS UNPUBLISHED.

RELEASED FOR PUBLICATION

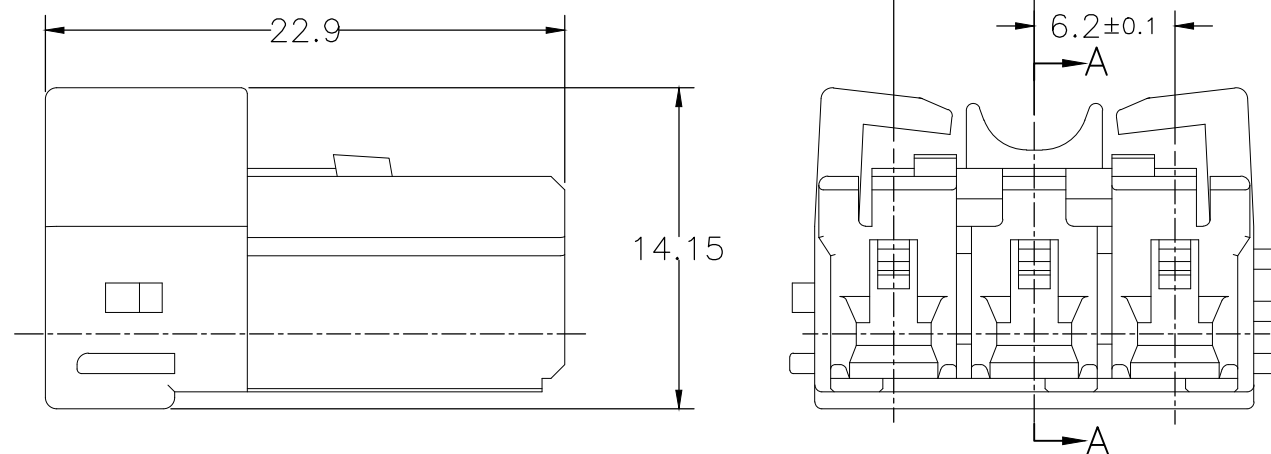
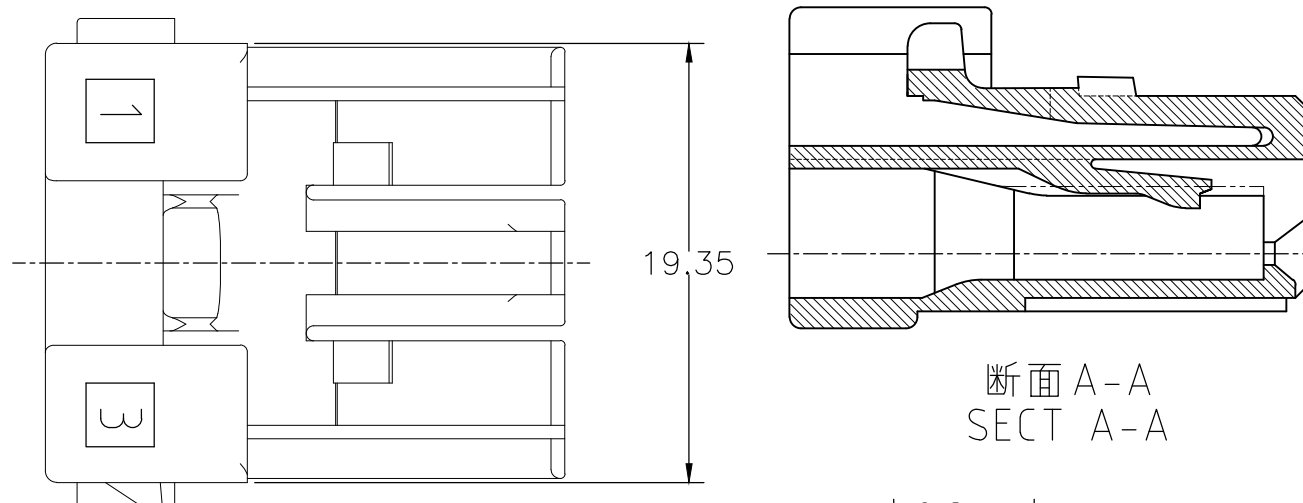
REVISIONS

変更

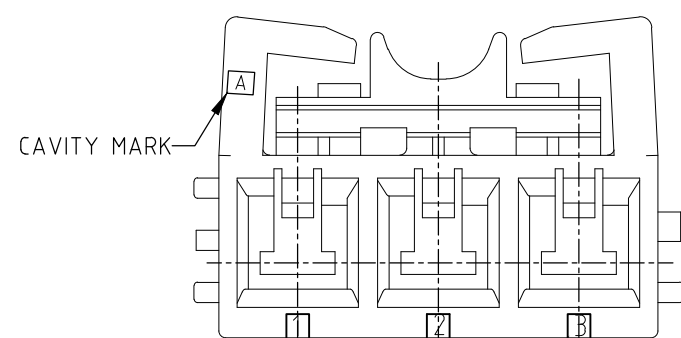
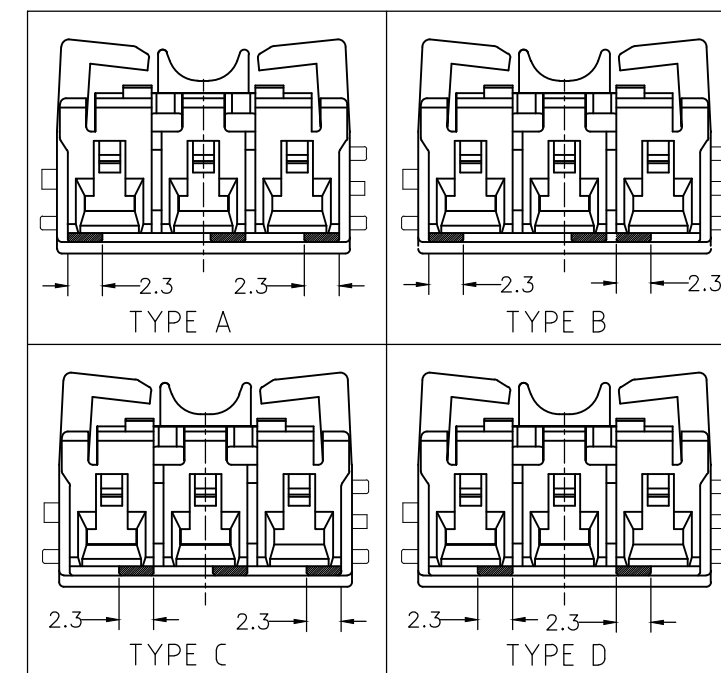
© COPYRIGHT - TE Connectivity Ltd.

ALL RIGHTS RESERVED.

P	LTR	DESCRIPTION	DATE	DWN	APVD
-	-	SEE SHEET 1	-	-	-



TYPE OF KEYING



回路番号  
CIRCUIT NO.

TRADE MARK

NOTES)  
MATING TPA P/N: 1-2232564-1

4-1746978-1	A	NATURAL	4-1871867-1
MATING HSG P/N	KEYING TYPE	COLOR	P/N

THIS DRAWING IS A CONTROLLED DOCUMENT.		DWN A.HIROTA 6SEP2005	<b>STE</b> TE Connectivity	
DIMENSIONS: 単位: 耗 mm		CHK N.YAMASAKI 6SEP2005		
TOLERANCES UNLESS OTHERWISE SPECIFIED: 一般公差		APVD N.YAMASAKI 6SEP2005	NAME 名称 GRACE INERTIA CONNECTOR 6.2MM PITCH 3POS PLUG HOUSING	
0 PLC ± - 1 PLC ± - 2 PLC ± - 3 PLC ± - 4 PLC ± - ANGLES ± -		PRODUCT SPEC 製品規格 108-5979	SIZE A3	
MATERIAL 材料 66NYLON(UL94V-0)		APPLICATION SPEC 取付適用規格 114-5356	CAGE CODE 00779	DRAWING NO 番号 C-1871867
FINISH 仕上 -		WEIGHT -	RESTRICTED TO -	
CUSTOMER DRAWING			SCALE 尺度 3:1	SHEET 2 OF 2
			REV C3	