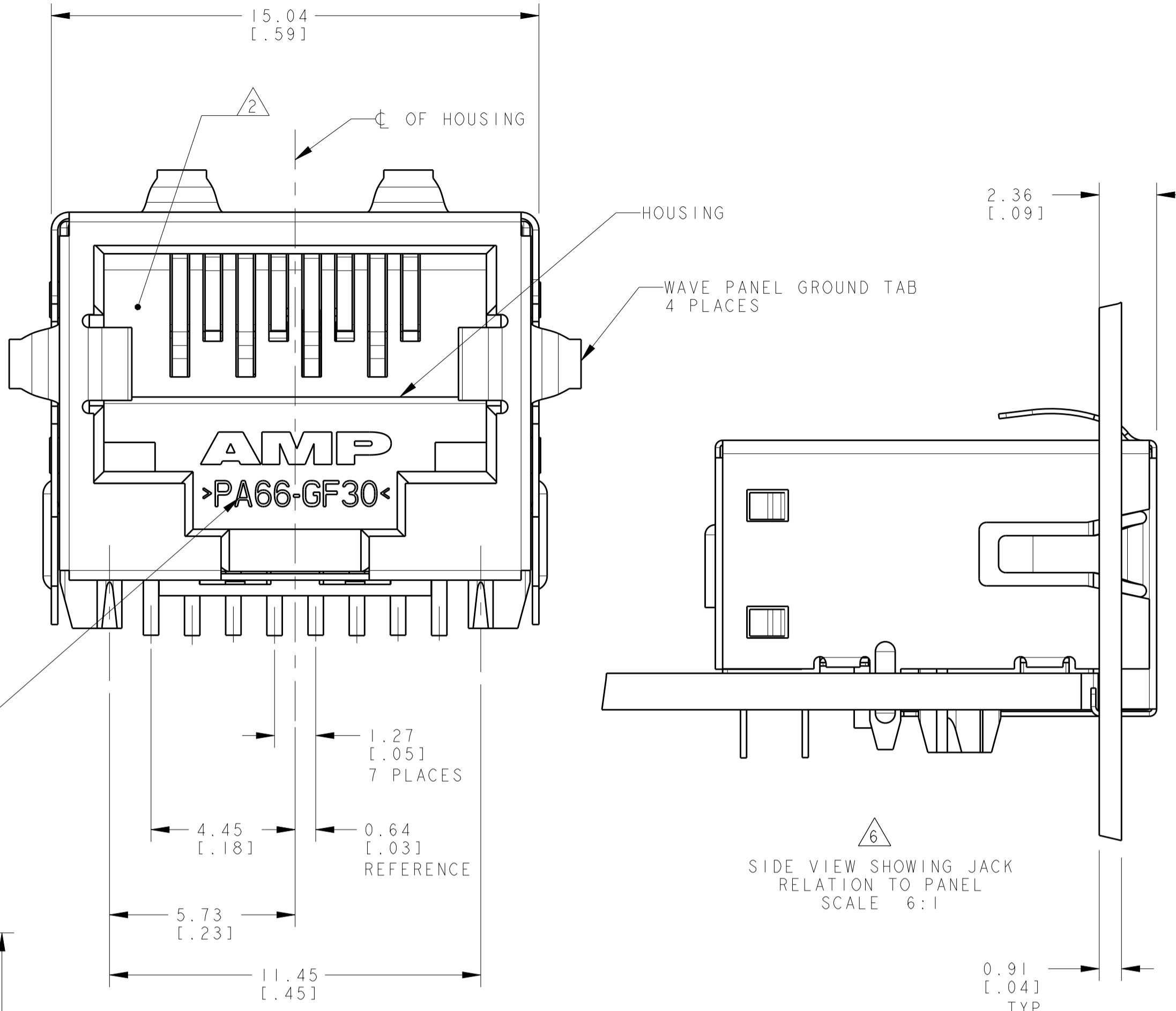
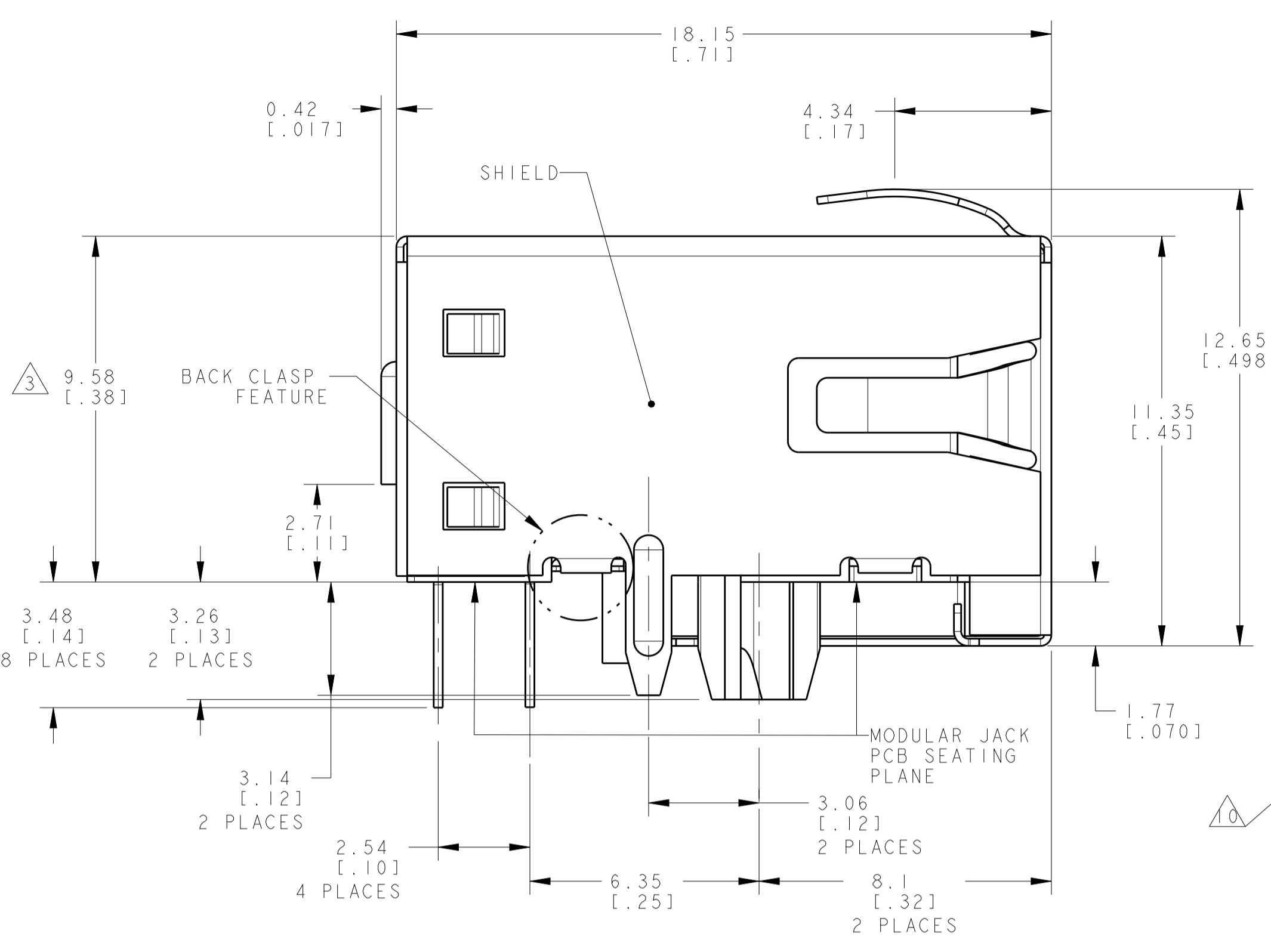
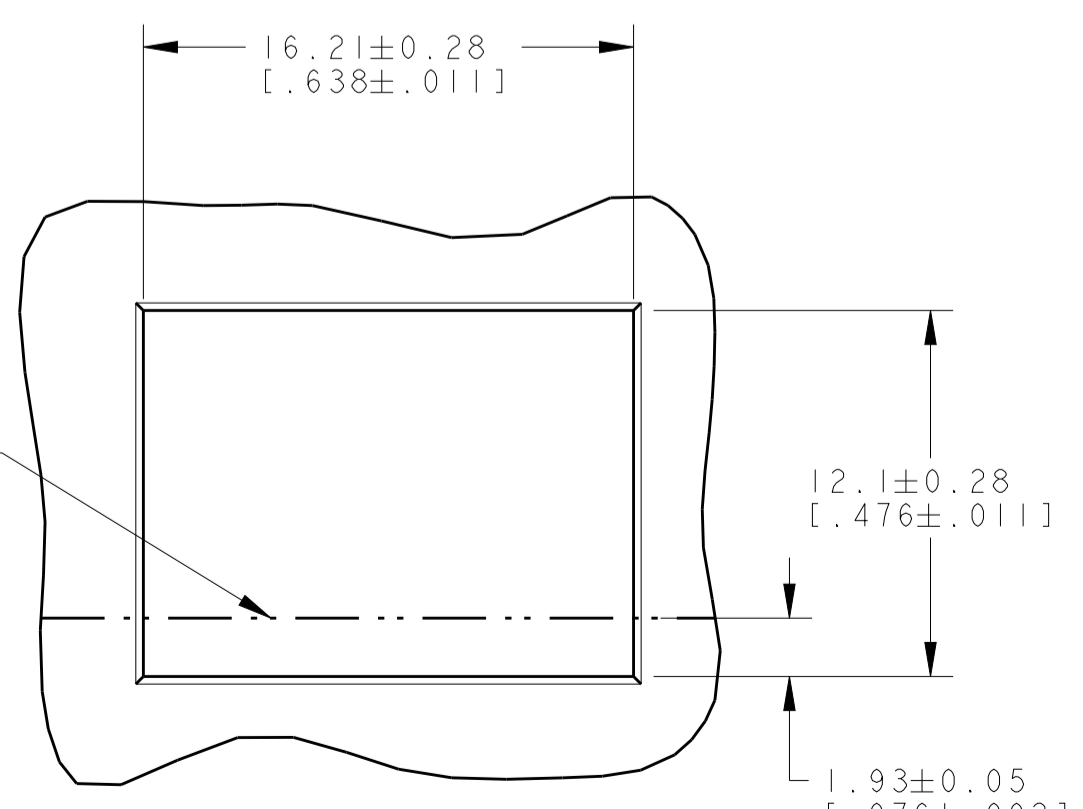
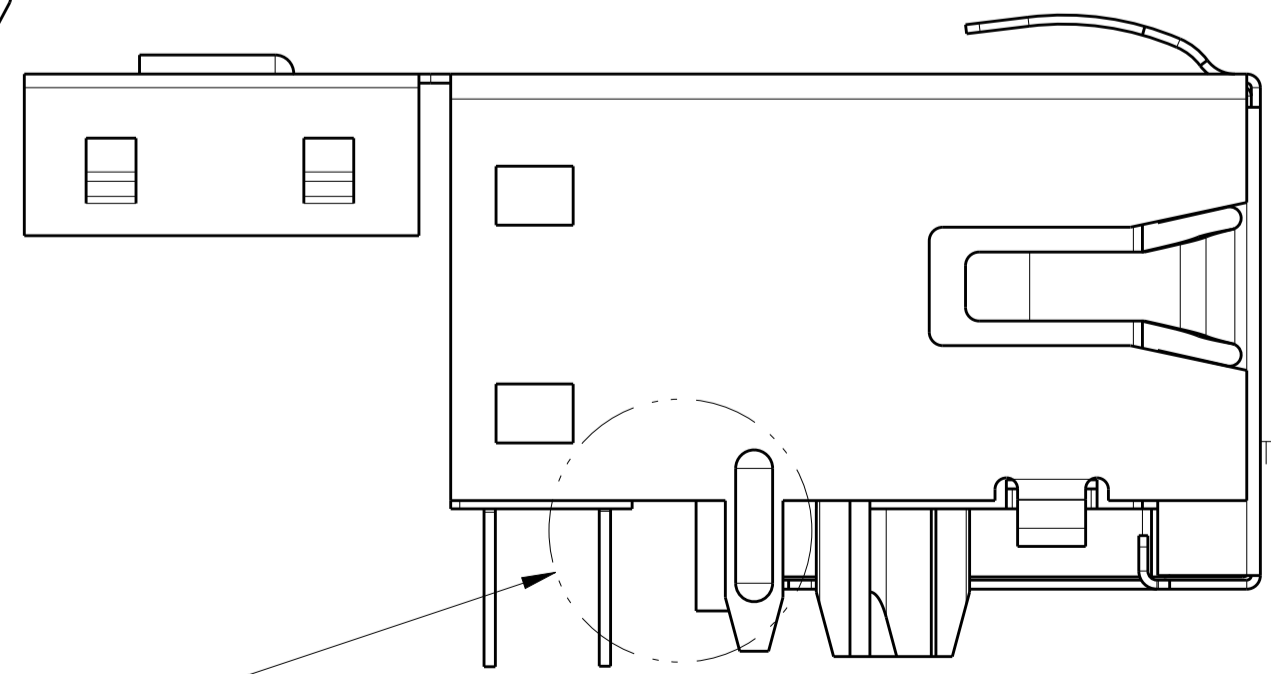
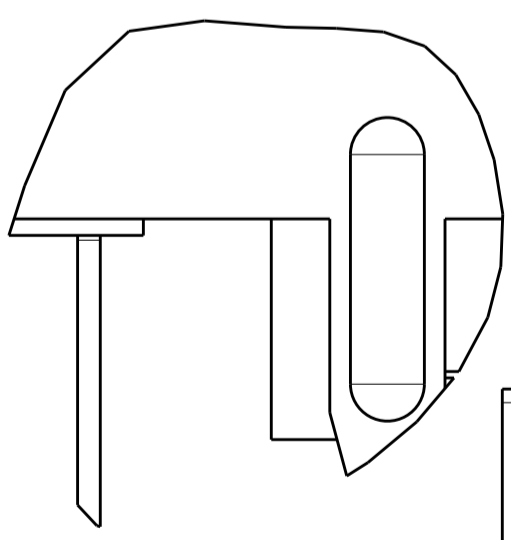
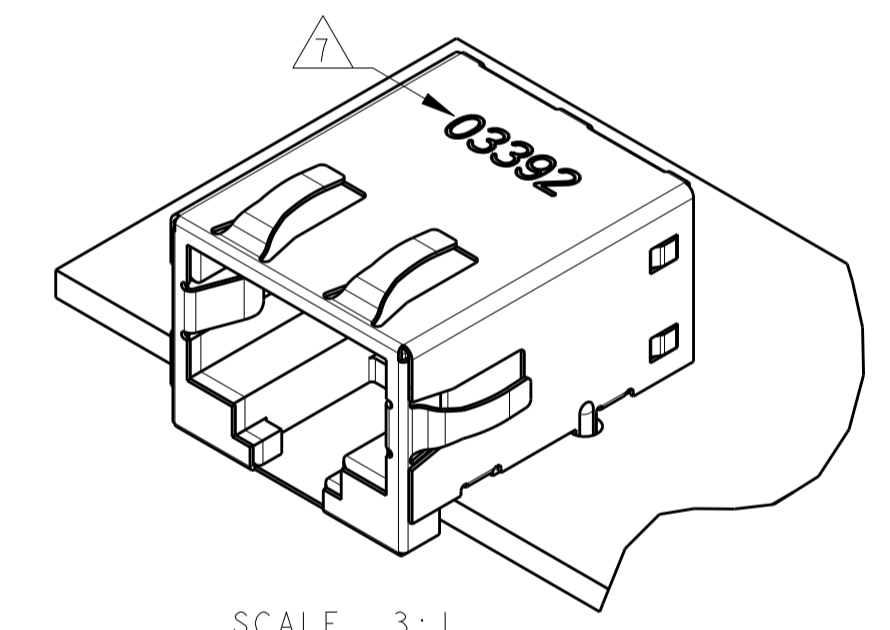
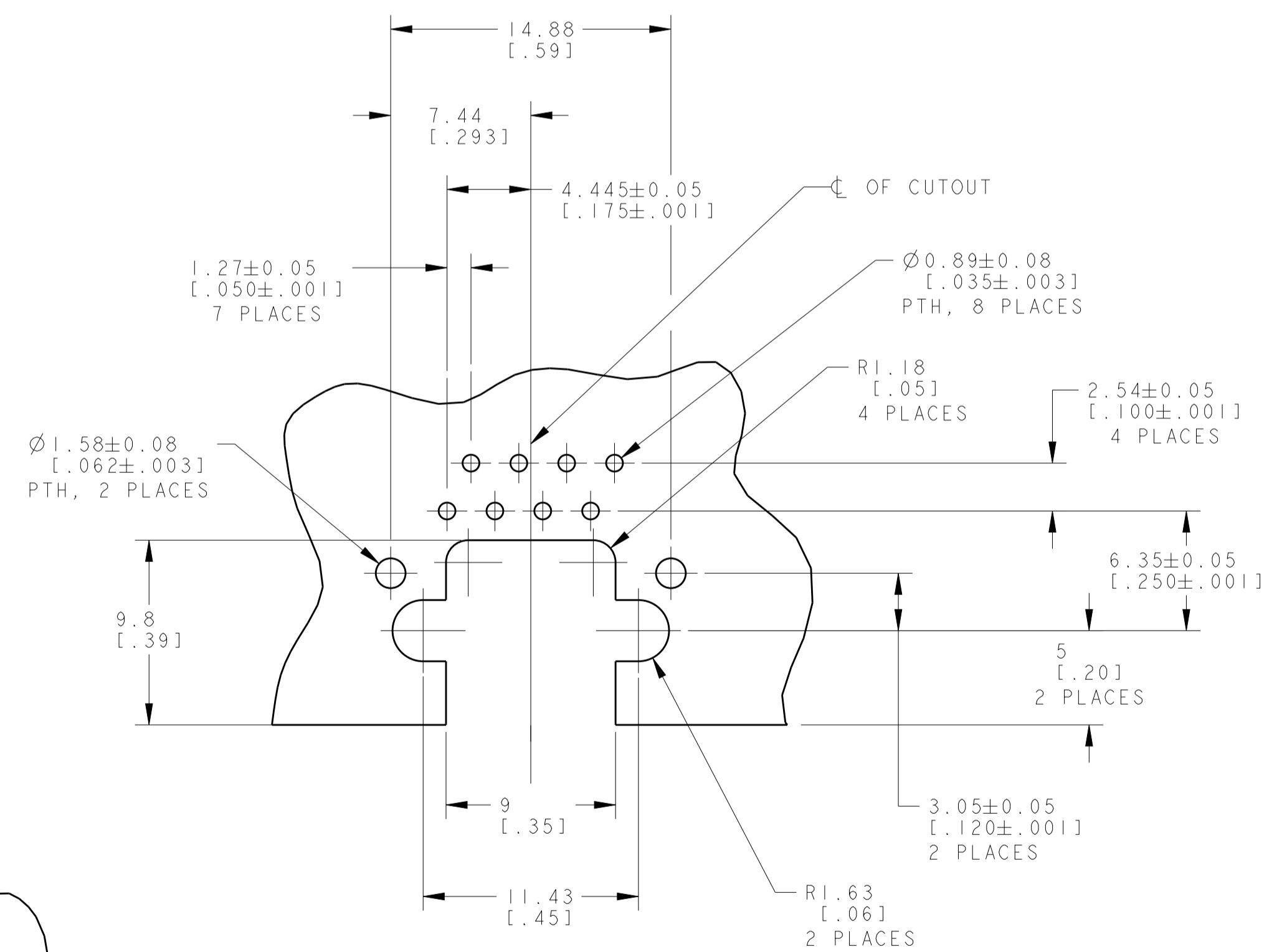
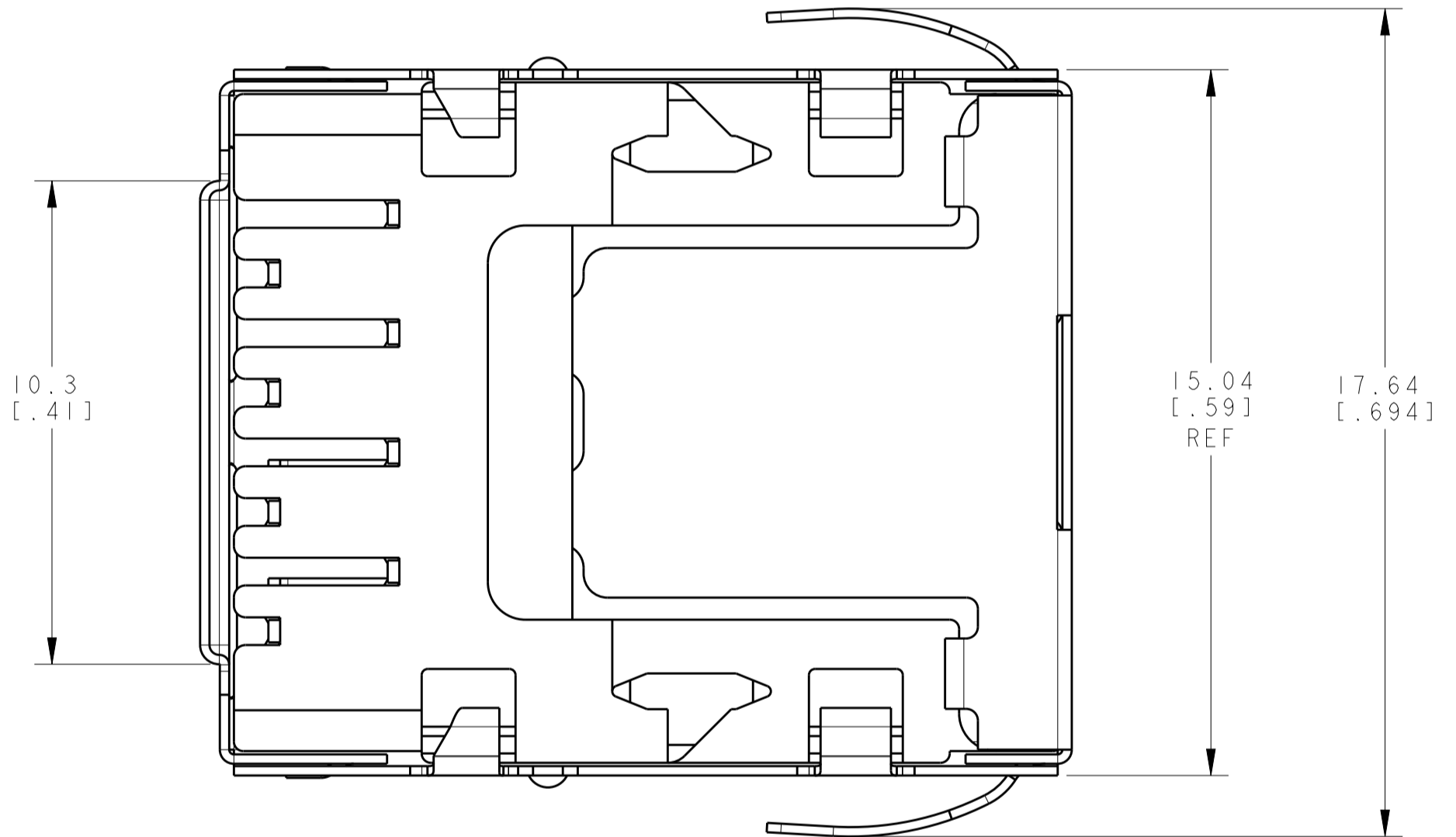


REVISIONS				
P.	LTN.	DESCRIPTION	DATE	APPV.
C		REVISE PER ECO-14-015233	27APR2015	LL SH
D		REVISE PER ECO-17-005794	23FEB2016	LL SH



- △ MATERIAL: HOUSING - HIGH TEMPERATURE NYLON, BLACK, UL 94V-0
TERMINALS - 0.25[.01] THICK PHOS BRONZE PLATED WITH 3.81μm[.000150] MINIMUM THICK MATTE TIN IN SOLDER AREA, 1.27μm[.000050] MINIMUM GOLD IN LOCALIZED PLATE AREA. ENTIRE TERMINAL PLATED WITH 1.27μm[.000050] MINIMUM THICK NICKEL.
SHIELD - 0.1[.0039] MIN THICK COPPER ZINC ALLOY, PREPLATED WITH 2.0-4.0 μm (.000079-.000157) THICK BRIGHT TIN OVER 1.27 μm (.000050) MIN. THICK NICKEL.
- △ JACK CAVITY CONFORMS TO FCC RULES AND REGULATIONS PART 68, SUBPART F.
- △ THIS DIMENSION REPRESENTS THE TOTAL HEIGHT OF THE CONNECTOR FROM THE TOP OF THE PC BOARD.
- 4. PACKAGED 66 ASSEMBLIES PER PVC TRAY, XX PER BOX.
- 5. DIELECTRIC WITHSTANDING VOLTAGE BETWEEN SHIELD AND CONTACT IS 1500 VAC (RMS) PER IEEE 802.3.
- △ SEE TYCO PN 1116062-1 FOR IEEE 1386 MEZZANINE PCI CARD APPLICATIONS. PN 1658869-1 IS NOT COMPATIBLE WITH IEEE 1386 BEZEL.
- △ MANUFACTURING DATE CODE:
ORIENTED AND LOCATED APPROXIMATELY AS SHOWN.
LASER PRINTING. TEXT HEIGHT APPROX. 2MM.
FIRST 2 DIGITS = LAST 2 DIGITS OF YEAR
NEXT 2 DIGITS = MANUFACTURING WORK WEEK
LAST DIGIT = DAY OF WEEK WITH SUNDAY = 1
- △ MATERIAL: HOUSING - HIGH TEMPERATURE NYLON, BLACK, UL 94V-0
TERMINALS - 0.25[.01] THICK PHOS BRONZE PLATED WITH 3.81μm[.000150] MINIMUM THICK MATTE TIN IN SOLDER AREA, 1.27μm[.000050] MINIMUM GOLD IN LOCALIZED PLATE AREA. ENTIRE TERMINAL PLATED WITH 1.27μm[.000050] MINIMUM THICK NICKEL.
SHIELD - 0.1[.0039] MIN THICK COPPER ZINC ALLOY, PLATED WITH 1.27 μm (.000050) MIN. THICK NICKEL AND 2.03 μm (.000080) MIN. THICK HOT TIN DIP ON PCB GROUND TABS.
- △ MATERIAL: HOUSING - LCP, NATURE, UL94V-0.
OTHER MATERIAL SAME AS NOTE 8.
- △ >LCP-GF30< MARK ONLY FOR 1888542-4.
- △ THE PN 1888542-4 SHALL MEET LOW BR/CL/F AS DEFINED IN TEC-138-702.



SCALE 6:1
P/N: 1888542-3, -4
FEATURE SAME AS 1888542-2
EXCEPT AS SHOWN WITHOUT
BACK CLASP FEATURE

SUGGESTED PANEL CUTOUT
SCALE 4:1

DIMENSIONS:		TOLERANCES UNLESS OTHERWISE SPECIFIED:		MATERIAL / FINISH	
mm [INCHES]					
0 PLC	±	0 PLC	±	0 PLC	±
1 PLC	±	1 PLC	±	1 PLC	±
2 PLC	±	2 PLC	±	2 PLC	±
3 PLC	±	3 PLC	±	3 PLC	±
4 PLC	±	4 PLC	±	4 PLC	±
5 PLC	±	5 PLC	±	5 PLC	±
6 PLC	±	6 PLC	±	6 PLC	±
7 PLC	±	7 PLC	±	7 PLC	±
8 PLC	±	8 PLC	±	8 PLC	±
9 PLC	±	9 PLC	±	9 PLC	±
10 PLC	±	10 PLC	±	10 PLC	±
11 PLC	±	11 PLC	±	11 PLC	±
12 PLC	±	12 PLC	±	12 PLC	±
13 PLC	±	13 PLC	±	13 PLC	±
14 PLC	±	14 PLC	±	14 PLC	±
15 PLC	±	15 PLC	±	15 PLC	±
16 PLC	±	16 PLC	±	16 PLC	±
17 PLC	±	17 PLC	±	17 PLC	±
18 PLC	±	18 PLC	±	18 PLC	±
19 PLC	±	19 PLC	±	19 PLC	±
20 PLC	±	20 PLC	±	20 PLC	±
21 PLC	±	21 PLC	±	21 PLC	±
22 PLC	±	22 PLC	±	22 PLC	±
23 PLC	±	23 PLC	±	23 PLC	±
24 PLC	±	24 PLC	±	24 PLC	±
25 PLC	±	25 PLC	±	25 PLC	±
26 PLC	±	26 PLC	±	26 PLC	±
27 PLC	±	27 PLC	±	27 PLC	±
28 PLC	±	28 PLC	±	28 PLC	±
29 PLC	±	29 PLC	±	29 PLC	±
30 PLC	±	30 PLC	±	30 PLC	±
31 PLC	±	31 PLC	±	31 PLC	±
32 PLC	±	32 PLC	±	32 PLC	±
33 PLC	±	33 PLC	±	33 PLC	±
34 PLC	±	34 PLC	±	34 PLC	±
35 PLC	±	35 PLC	±	35 PLC	±
36 PLC	±	36 PLC	±	36 PLC	±
37 PLC	±	37 PLC	±	37 PLC	±
38 PLC	±	38 PLC	±	38 PLC	±
39 PLC	±	39 PLC	±	39 PLC	±
40 PLC	±	40 PLC	±	40 PLC	±
41 PLC	±	41 PLC	±	41 PLC	±
42 PLC	±	42 PLC	±	42 PLC	±
43 PLC	±	43 PLC	±	43 PLC	±
44 PLC	±	44 PLC	±	44 PLC	±
45 PLC	±	45 PLC	±	45 PLC	±
46 PLC	±	46 PLC	±	46 PLC	±
47 PLC	±	47 PLC	±	47 PLC	±
48 PLC	±	48 PLC	±	48 PLC	±
49 PLC	±	49 PLC	±	49 PLC	±
50 PLC	±	50 PLC	±	50 PLC	±
51 PLC	±	51 PLC	±	51 PLC	±
52 PLC	±	52 PLC	±	52 PLC	±
53 PLC	±	53 PLC	±	53 PLC	±
54 PLC	±	54 PLC	±	54 PLC	±
55 PLC	±	55 PLC	±	55 PLC	±
56 PLC	±	56 PLC	±	56 PLC	±
57 PLC	±	57 PLC	±	57 PLC	±
58 PLC	±	58 PLC	±	58 PLC	±
59 PLC	±	59 PLC	±	59 PLC	±
60 PLC	±	60 PLC	±	60 PLC	±
61 PLC	±	61 PLC	±	61 PLC	±
62 PLC	±	62 PLC	±	62 PLC	±
63 PLC	±	63 PLC	±	63 PLC	±
64 PLC	±	64 PLC	±	64 PLC	±
65 PLC	±	65 PLC	±	65 PLC	±
66 PLC	±	66 PLC	±	66 PLC	±
67 PLC	±	67 PLC	±	67 PLC	±
68 PLC	±	68 PLC	±	68 PLC	±
69 PLC	±	69 PLC	±	69 PLC	±
70 PLC	±	70 PLC	±	70 PLC	±
71 PLC	±	71 PLC	±	71 PLC	±
72 PLC	±	72 PLC	±	72 PLC	±
73 PLC	±	73 PLC	±	73 PLC	±
74 PLC	±	74 PLC	±	74 PLC	±
75 PLC	±	75 PLC	±	75 PLC	±
76 PLC	±	76 PLC	±	76 PLC	±
77 PLC	±	77 PLC	±	77 PLC	±
78 PLC	±	78 PLC	±	78 PLC	±
79 PLC	±	79 PLC	±	79 PLC	±
80 PLC	±	80 PLC	±	80 PLC	±
81 PLC	±	81 PLC	±	81 PLC	±
82 PLC	±	82 PLC	±	82 PLC	±
83 PLC	±	83 PLC	±	83 PLC	±
84 PLC	±	84 PLC	±	84 PLC	±
85 PLC	±	85 PLC	±	85 PLC	±
86 PLC	±	86 PLC	±	86 PLC	±
87 PLC	±	87 PLC	±	87 PLC	±
88 PLC	±	88 PLC	±	88 PLC	±
89 PLC	±	89 PLC	±	89 PLC	±
90 PLC	±	90 PLC	±	90 PLC	±
91 PLC	±	91 PLC	±	91 PLC	±
92 PLC	±	92 PLC	±	92 PLC	±
93 PLC	±	93 PLC	±	93 PLC	±
94 PLC	±	94 PLC	±	94 PLC	±
95 PLC	±	95 PLC	±	95 PLC	±
96 PLC	±	96 PLC	±	96 PLC	±
97 PLC	±	97 PLC	±	97 PLC	±
98 PLC	±	98 PLC	±	98 PLC	±
99 PLC	±	99 PLC	±	99 PLC	±
100 PLC	±	100 PLC	±	100 PLC	±

PACKAGE	MATERIAL / FINISH	PART NUMBER
T&R	△ 9 △ 10 △ 1	1888542-4
TRAY	△ 8	1888542-3
TRAY	△ 1	1888542-2

THIS DRAWING IS A CONTROLLED DOCUMENT.		OWNER: BRIAN KUHNLYZ & MAYER		DATE: 07JUNE2006	
DIMENSIONS:		TOLERANCES UNLESS OTHERWISE SPECIFIED:		MATERIAL / FINISH	
mm [INCHES]					
0 PLC	±	0 PLC	±	0 PLC	±
1 PLC	±	1 PLC	±	1 PLC	±
2 PLC	±	2 PLC	±	2 PLC	±
3 PLC	±	3 PLC	±	3 PLC	±
4 PLC	±	4 PLC	±	4 PLC	±
5 PLC	±	5 PLC	±	5 PLC	±
6 PLC	±	6 PLC	±	6 PLC	±
7 PLC	±	7 PLC	±	7 PLC	±
8 PLC	±	8 PLC	±	8 PLC	±
9 PLC	±	9 PLC	±	9 PLC	±
10 PLC	±	10 PLC	±	10 PLC	±
11 PLC	±	11 PLC	±	11 PLC	±
12 PLC	±	12 PLC	±	12 PLC	±
13 PLC	±	13 PLC	±	13 PLC	±
14 PLC	±	14 PLC	±	14 PLC	±
15 PLC	±	15 PLC	±	15 PLC	±
16 PLC	±	16 PLC	±	16 PLC	±
17 PLC	±	17 PLC	±	17 PLC	±
18 PLC	±	18 PLC	±	18 PLC	±
19 PLC	±	19 PLC	±	19 PLC	±
20 PLC	±	20 PLC	±	20 PLC	±
21 PLC	±	21 PLC	±	21 PLC	±
22 PLC	±	22 PLC	±	22 PLC	±
23 PLC	±	23 PLC	±	23 PLC	±
24 PLC	±	24 PLC	±	24 PLC	±
25 PLC	±	25 PLC	±	25 PLC	±
26 PLC	±	26 PLC	±	26 PLC	±
27 PLC	±	27 PLC	±	27 PLC	±
28 PLC	±	28 PLC	±	28 PLC	±
29 PLC	±	29 PLC	±	29 PLC	±
30 PLC	±	30 PLC	±	30 PLC	±
31 PLC	±	31 PLC	±	31 PLC	±
32 PLC	±	32 PLC	±	32 PLC	±
33 PLC	±	33 PLC	±	33 PLC	±
34 PLC	±	34 PLC	±	34 PLC	±
35 PLC	±	35 PLC	±	35 PLC	±
36 PLC	±	36 PLC	±	36 PLC	±
37 PLC	±	37 PLC	±	37 PLC	±
38 PLC	±	38 PLC	±	38 PLC	±
39 PLC	±	39 PLC	±	39 PLC	±
40 PLC	±	40 PLC	±	40 PLC	±
41 PLC	±	41 PLC	±	41 PLC	±
42 PLC	±	42 PLC	±	42 PLC	±
43 PLC	±	43 PLC	±	43 PLC	±
44 PLC	±	44 PLC	±	44 PLC	±
45 PLC	±	45 PLC	±	45 PLC	±
46 PLC	±	46 PLC	±	46 PLC	±
47 PLC	±	47 PLC	±	47 PLC	±
48 PLC	±	48 PLC	±	48 PLC	±
49 PLC	±	49 PLC	±	49 PLC	±
50 PLC	±	50 PLC	±	50 PLC	±
51 PLC	±	51 PLC	±	51 PLC	±
52 PLC	±	52 PLC	±	52 PLC	±
53 PLC	±	53 PLC	±	53 PLC	±
54 PLC	±	54 PLC	±	54 PLC	±
55 PLC	±	55 PLC	±	55 PLC	±
56 PLC	±	56 PLC	±	56 PLC	±
57 PLC	±				