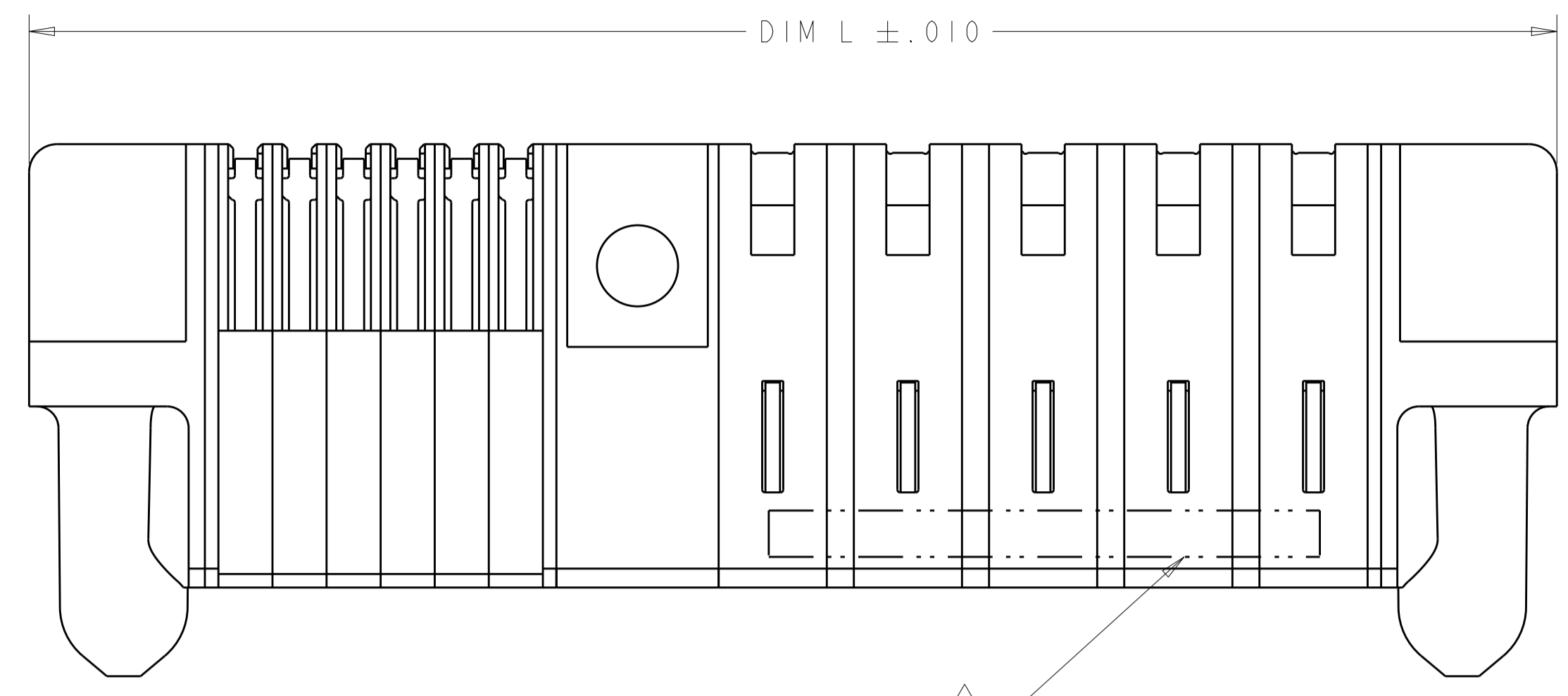
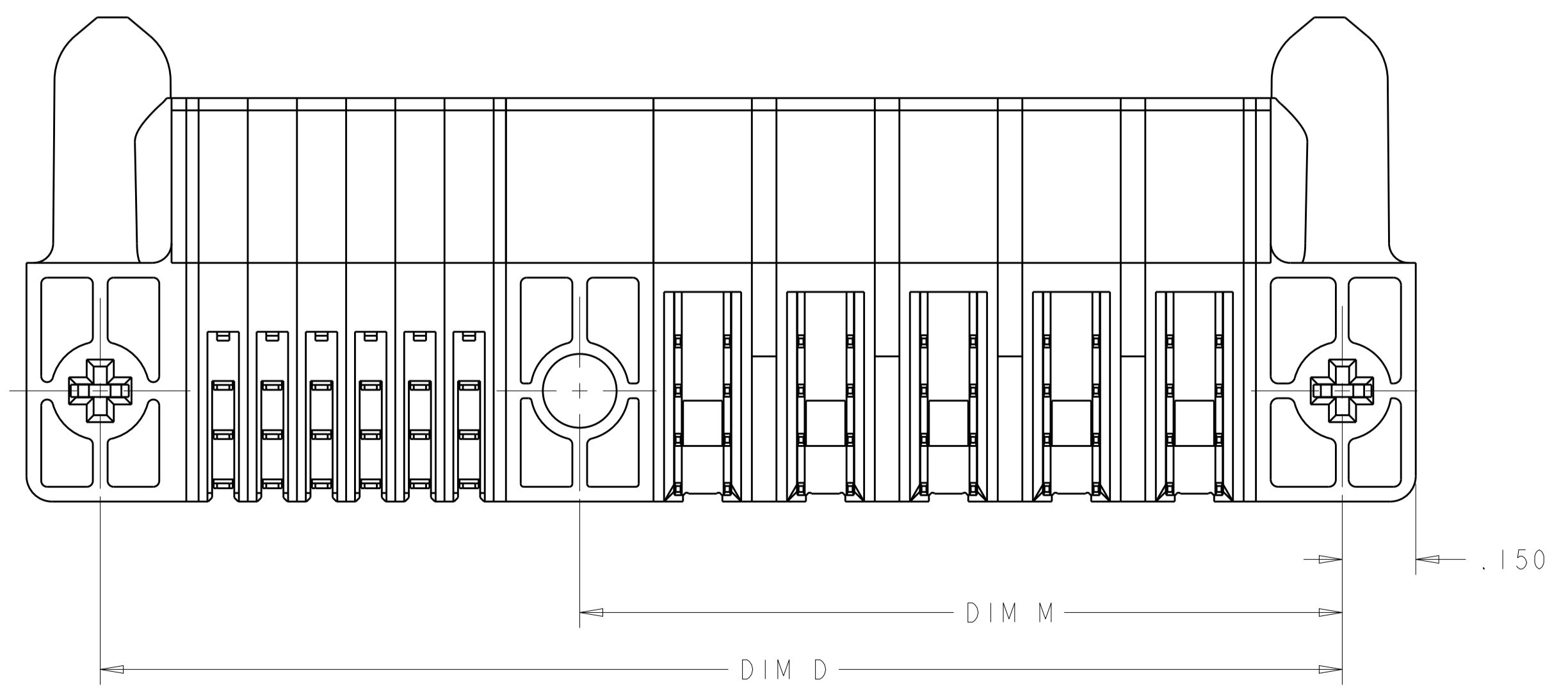
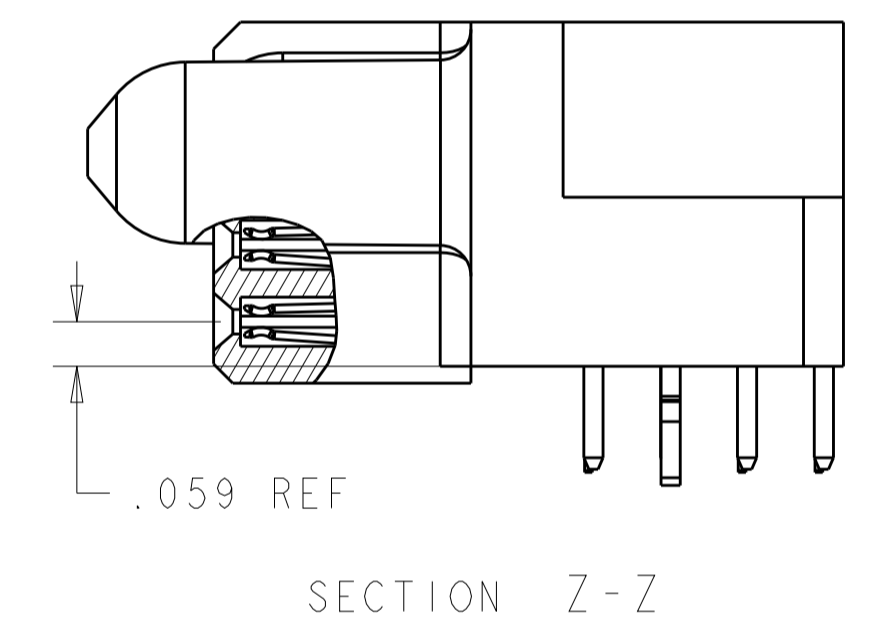
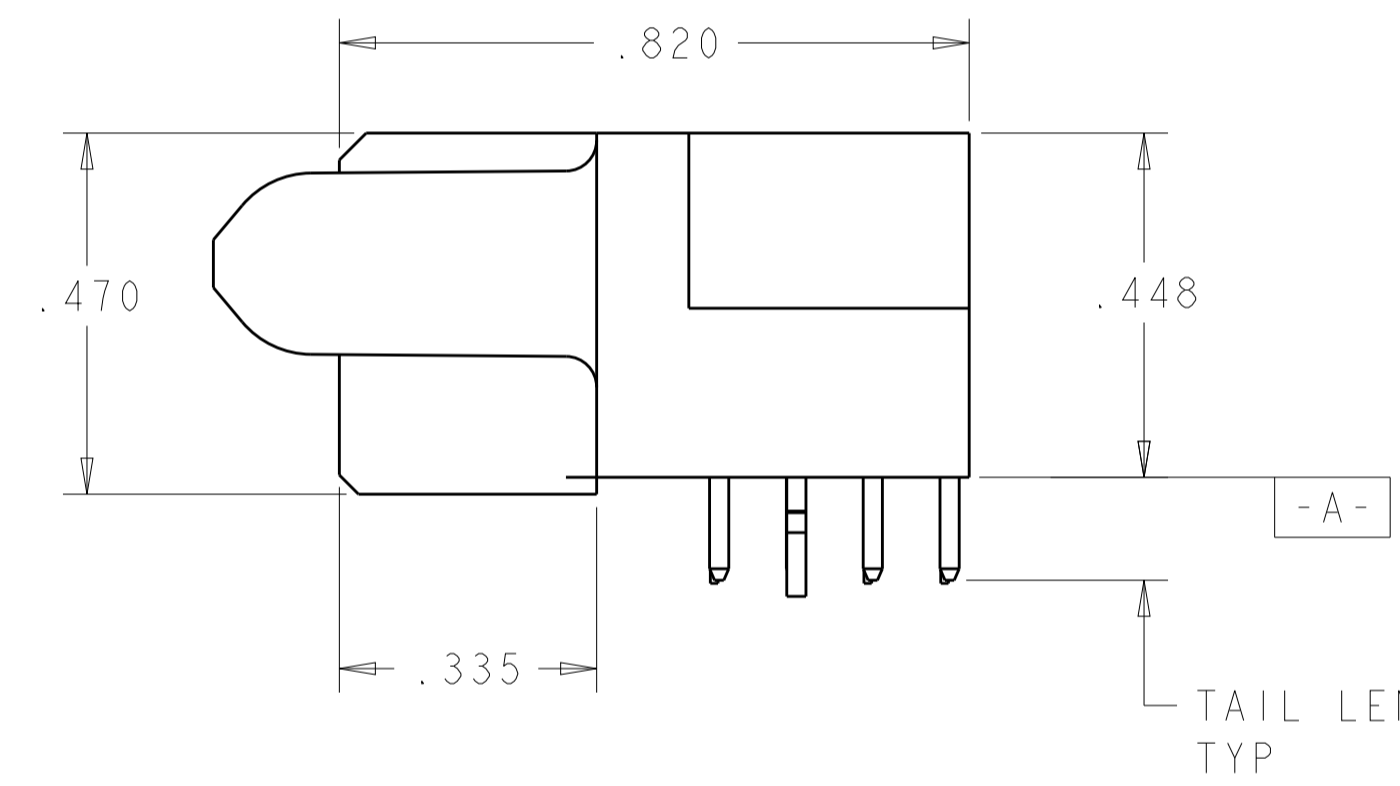
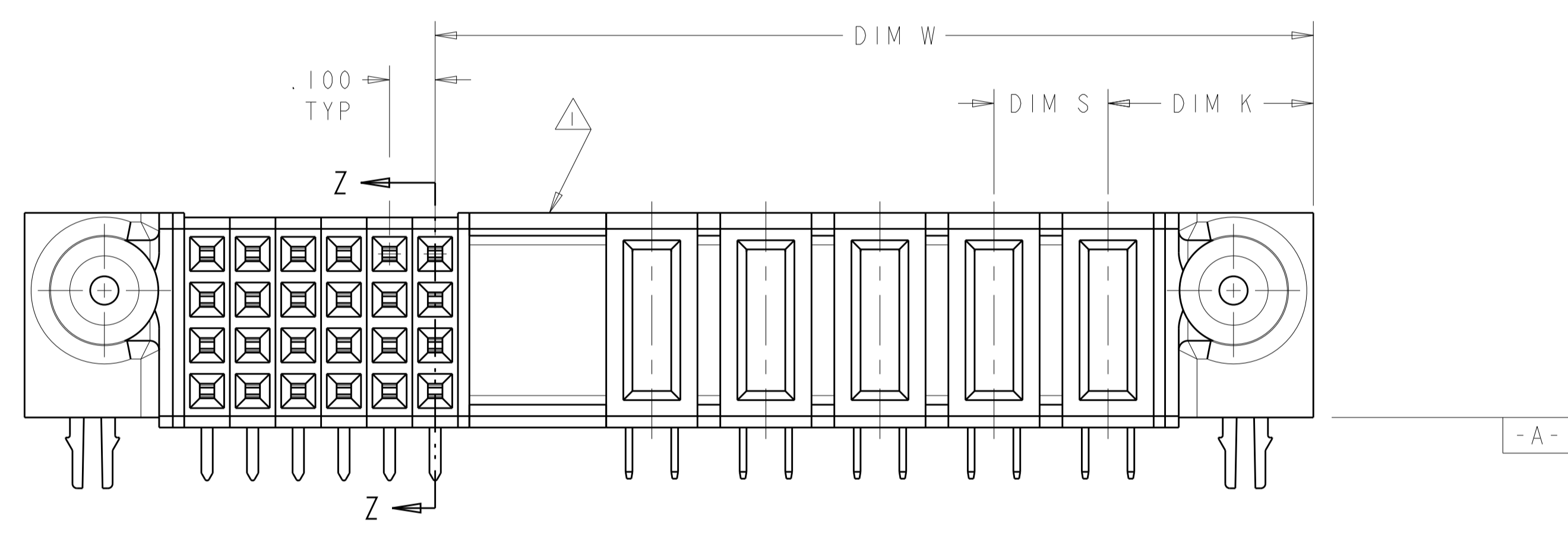


LOC	DIST	REVISIONS					
		P	LTN	DESCRIPTION	DATE	DWN	APVD
ES	00	B1		ADVISED	20MAR2013	ML	SZ



- 1 OPTIONAL CENTER MODULE, WITH Ø.150 THRU HOLE OR HOLD DOWN FEATURE.
- 2 "AMP", TRADEMARK, PART NUMBER AND DATE CODE TO BE MARKED IN AREA SHOWN
- 3 MATERIAL: HOUSING - GLASS FILLED HIGH TEMP THERMO PLASTIC, UL94 V-0, BLACK.  
SIGNAL CONTACT - COPPER ALLOY  
POWER CONTACT - HIGH CONDUCTIVITY COPPER ALLOY
- 4 CONTACT PLATING: NOBLE METAL PLATING ON CONTACT FUNCTIONAL AREA OF POWER AND SIGNAL CONTACTS
- 5 MECHANICAL CONNECTOR KEEP OUT ZONE.
- 6 DATUM AND BASIC DIMENSIONS ESTABLISHED BY CUSTOMER.
- 7 PCB - ALL HOLE DIAMETERS ARE FINISHED HOLE SIZES.
- 8 PCB - .0453 ±.0010 DRILLED HOLES PLATED WITH .0003 MIN Sn OVER .001 TO .003 CU PLATING TO ACHIEVE A .040±.003 DIA HOLE.
- 9 POWER CONTACT LUBRICATED WITH LUBRICANT
- 10 THE DETAIL DIMENSION SEE SHEET 2

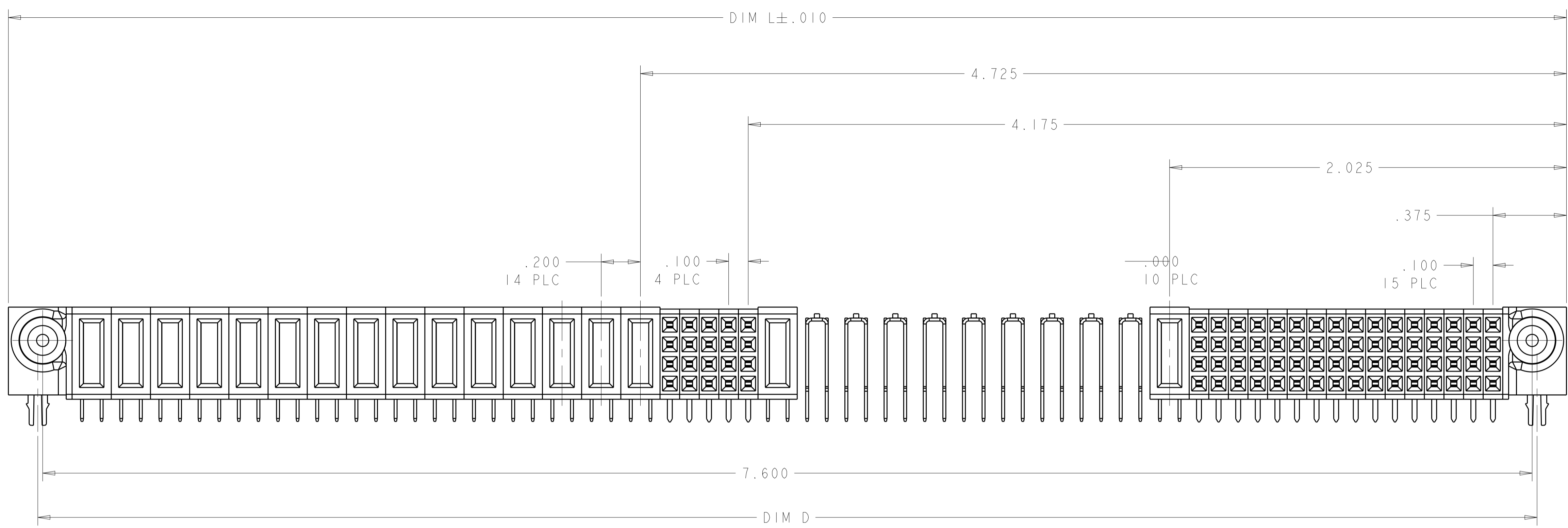


DIM S	DIM W	DIM D	DIM M	DIM L	DIM K	DESCRIPTION	PART NUMBER
-	-	7.650	-	7.950	-	64S+11P+20S+15P	1892502-2
.250	2.375	3.050	-	3.350	.450	8P+28S	1892502-1

THIS DRAWING IS A CONTROLLED DOCUMENT.		DWN: Simon Li 22NOV06	 TE Connectivity
DIMENSIONS: INCHES		CHK: Sunny Zhao 22NOV06	
TOLERANCES UNLESS OTHERWISE SPECIFIED:		APVD: Siqiang Yao 22NOV06	
0 PLC ±. 1 PLC ±.01 2 PLC ±.01 3 PLC ±.005 4 PLC ±.0020 ANGLES ±.020		NAME: RIGHT ANGLE RECEPTACLE ASSEMBLY WITH GUIDES MULTI-BEAM XL PRODUCT SPEC: 108-1973 APPLICATION SPEC: 114-13038 SIZE: 114-13038 WEIGHT: - FINISH: 3 CUSTOMER DRAWING	
MATERIAL: 3		SCALE: 4:1	RESTRICTED TO: -

LOC		DIST		REVISIONS			
ES	00	P	LTN	DESCRIPTION	DATE	DWN	APVD
-	-	-	-	SEE SHEET 1	-	-	-



PART NUMBER 1892502-2  
 UNSPECIFIED DIM REFER TO SHEET 1

THIS DRAWING IS A CONTROLLED DOCUMENT.		DWN Simon Li CHK Sunny Zhao APVD Siqian Yao	22NOV06 22NOV06 22NOV06	TE Connectivity	NAME RIGHT ANGLE RECEPTACLE ASSEMBLY WITH GUIDES MULTI-BEAM XL	
DIMENSIONS: INCHES	TOLERANCES UNLESS OTHERWISE SPECIFIED:	PRODUCT SPEC 108-1973	APPLICATION SPEC 114-13038			
0 PLC ± 1 PLC ±.01 2 PLC ±.01 3 PLC ±.005 4 PLC ±.0020 ANGLES ±.2°	FINISH -	SIZE A100779	CAGE CODE C=1892502	RESTRICTED TO -		
MATERIAL -	FINISH -	WEIGHT -	Customer Drawing	SCALE 4:1	SHEET 2 OF 3	REV B1

