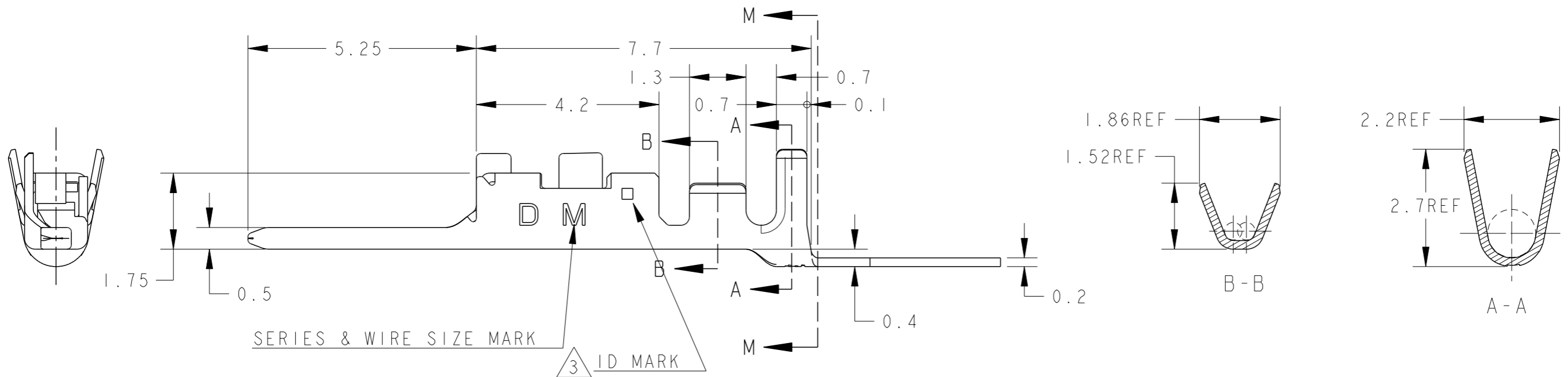
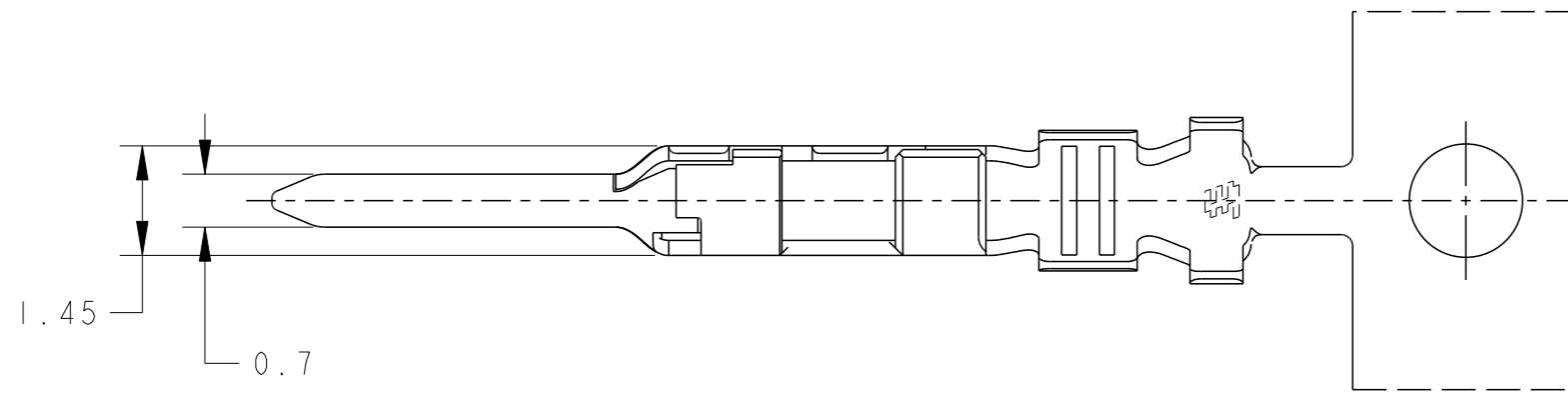
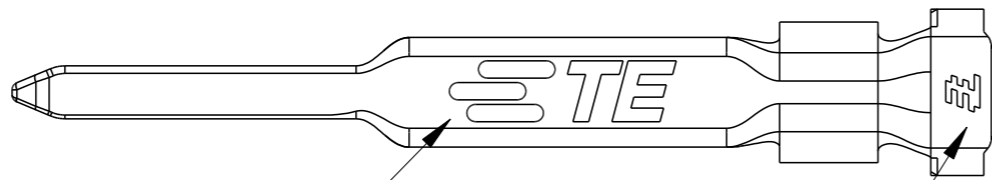


P	LTR	DESCRIPTION	DATE	DWN	APVD
	C	REVISED PER ECR-19-016494	24OCT2019	F.Z	R.B



SERIES & WIRE SIZE MARK

3 ID MARK



2 LOGO MARK

2 LOGO MARK

SECTION M-M

AS SHOWN: 1903112-2

1	COPPER ALLOY: FINISH; CONTACT AREA Au 0.38umMIN, OVER Ni 1.27umMIN	1903112-2
	MATERIAL	PART NO

- 1. THE SHAPE, SIZE AND POSITION OF THE CHARACTER SHOW THE OUTLINE. THEY DON'T SHOW DETAILS.
- 2. ALTERNATIVE TE LOGO FOR DIFFERENT DIE.
- 3. ALTERNATIVE ID MARK, WITH "■" OR NO MARK.

THIS DRAWING IS A CONTROLLED DOCUMENT.

DIMENSIONS: mm	TOLERANCES UNLESS OTHERWISE SPECIFIED: ± 0.3, ± 3°
	0-PLC ±
	1-PLC ±0.5
	2-PLC ±
	3-PLC ±
	4-PLC ±
	ANGLES ±
MATERIAL	FINISH
1	1

DWN	M. MAEBASHI	11APR2006
CHK	T. KUDO	11APR2006
APVD	D. MITSUGI	11APR2006
PRODUCT SPEC	108-78268	
APPLICATION SPEC	108-78268	
WEIGHT	0.126 g	
CUSTOMER DRAWING		

WIRE RANGE	AWG#28-#22	INSULATION DIA	mm ² 0.08~0.38	∅ 1.08~∅ 1.6
STE TE Connectivity				
NAME DYNAMIC D1000 SERIES TAB CONTACT Au M-TYPE REEL				
SIZE	CAGE CODE	DRAWING NO	RESTRICTED TO	
A3	00779	C=1903112		
SCALE 10:1			SHEET 1	OF 1
			REV	C