

4

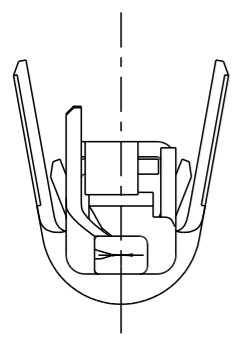
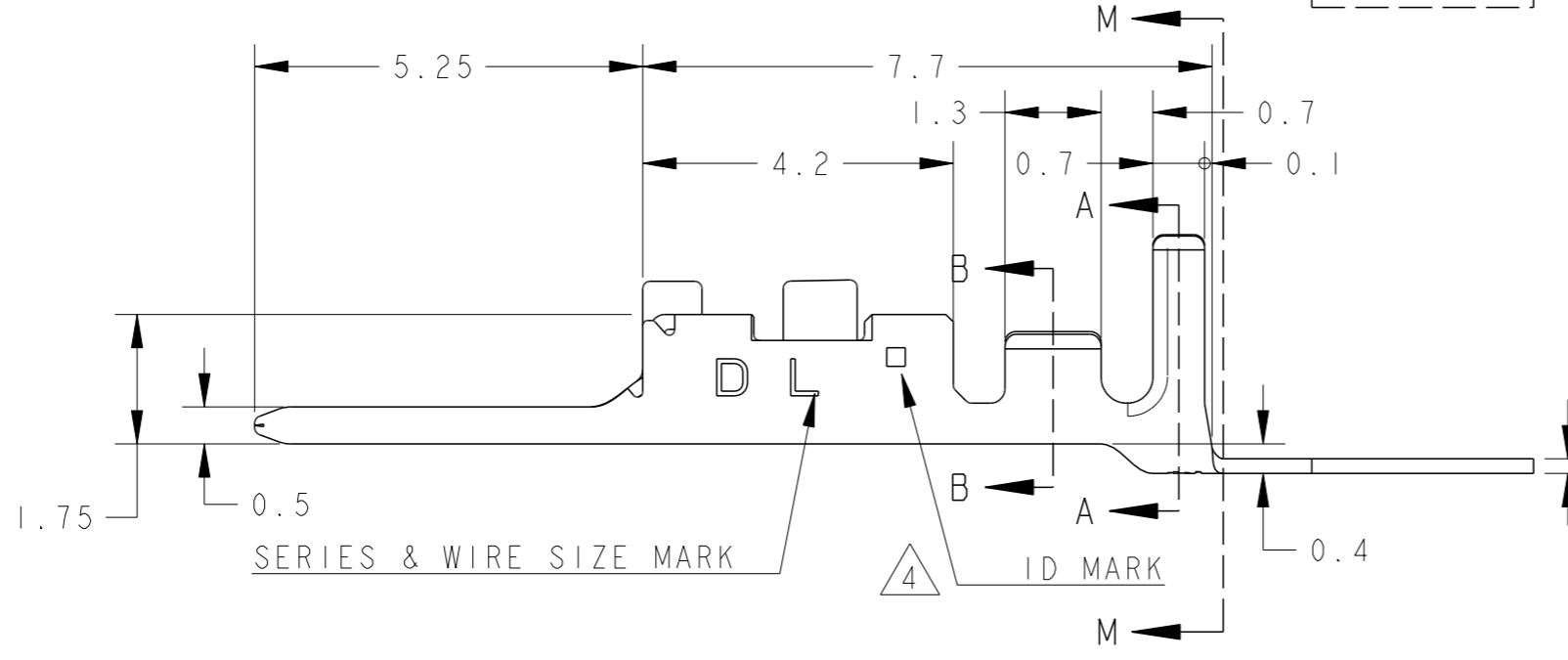
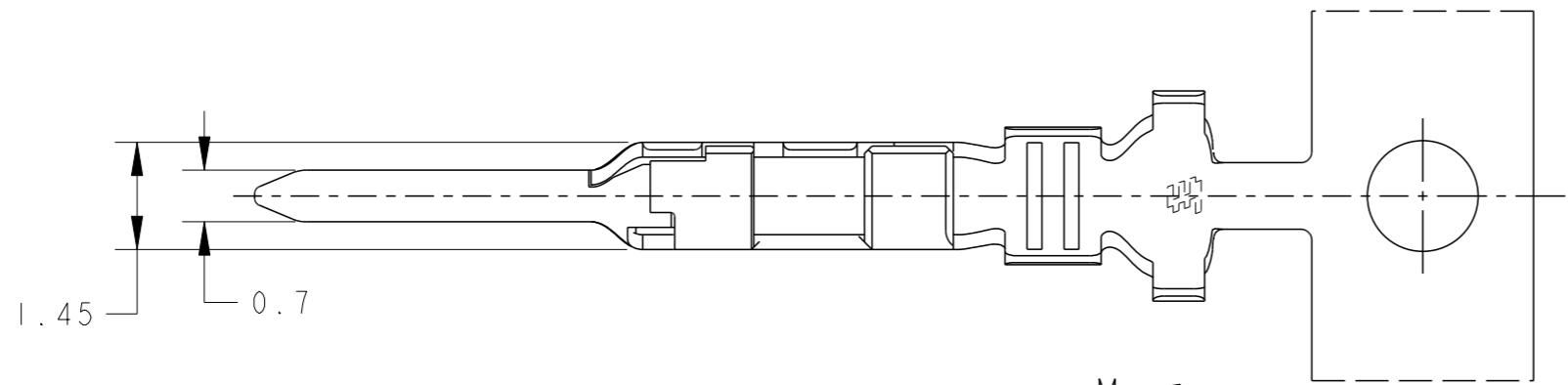
3

2

1

© 2019 TE Connectivity. All Rights Reserved.

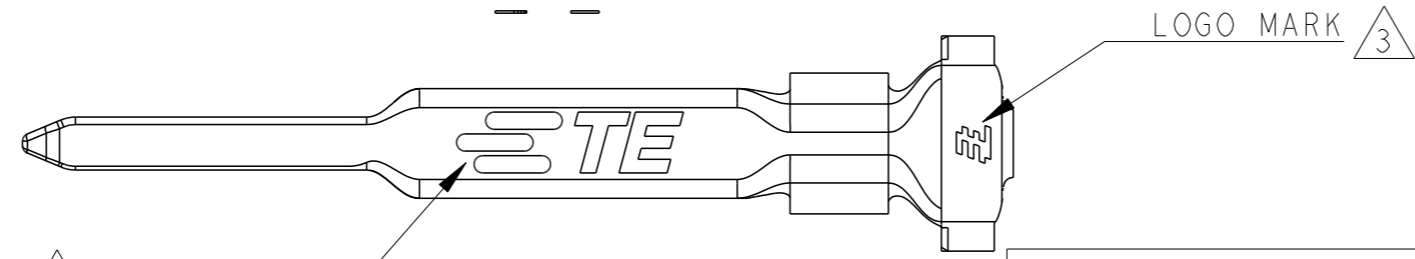
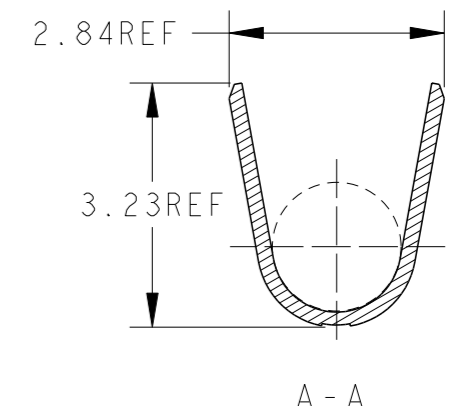
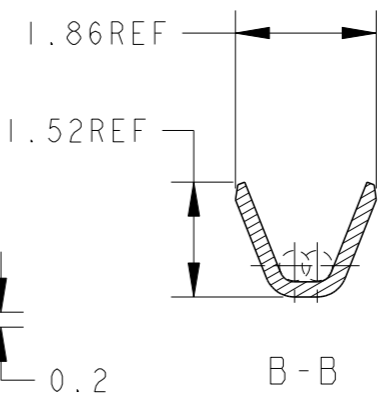
REVISIONS					
P	LTR	DESCRIPTION	DATE	DWN	APVD
	C	REVISED PER ECR-19-016494	24OCT2019	F.Z	R.B



1.75 0.5

SERIES & WIRE SIZE MARK

4 ID MARK



3 LOGO MARK

LOGO MARK 3

SECTION M-M

AS SHOWN: 1903113-2

1 COPPER ALLOY: FINISH; CONTACT AREA Au 0.38umMIN, OVER Ni 1.27umMIN	1903113-2
MATERIAL	PART NO

1. APPLICATION TAB-HSG IS APPLIED TO THE PRODUCT OF 2.5mm PITCH OR MORE OF DYNAMIC D1000 SERIES. 2.0mm PITCH CANNOT BE USED.

2. THE SHAPE, SIZE AND POSITION OF THE CHARACTER SHOW THE OUTLINE. THEY DON'T SHOW DETAILS.

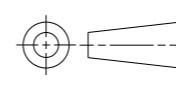
3. ALTERNATIVE LOGO MARK FOR DIFFERENT DIE.

4. ALTERNATIVE ID MARK, WITH "■" OR NO MARK.

THIS DRAWING IS A CONTROLLED DOCUMENT.

DIMENSIONS: mm

TOLERANCES UNLESS OTHERWISE SPECIFIED: ±0.3, ±3°



MATERIAL

FINISH



DWN M. MAEBASHI 11APR2006

CHK T. KUDO 11APR2006

APVD D. MITSUGI 11APR2006

PRODUCT SPEC 108-78268

APPLICATION SPEC 114-5377

WEIGHT 0.128 g

CUSTOMER DRAWING

WIRE RANGE	AWG#28-#22	INSULATION DIA
mm ² 0.08~0.38		Ø1.08~Ø1.9

TE Connectivity

DYNAMIC D1000 SERIES
TAB CONTACT Au L-TYPE REEL

SIZE	CAGE CODE	DRAWING NO	RESTRICTED TO
A3	00779	C=1903113	

SCALE	SHEET	OF	REV
10:1	1	1	C