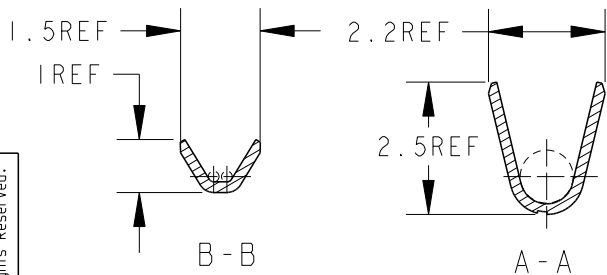
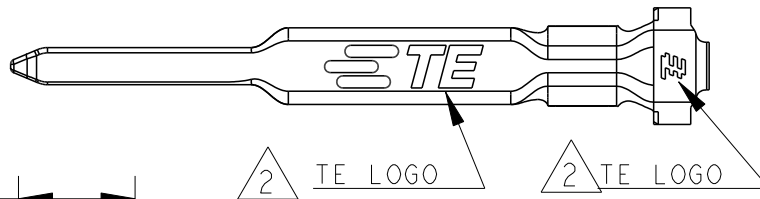
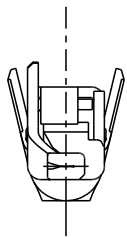
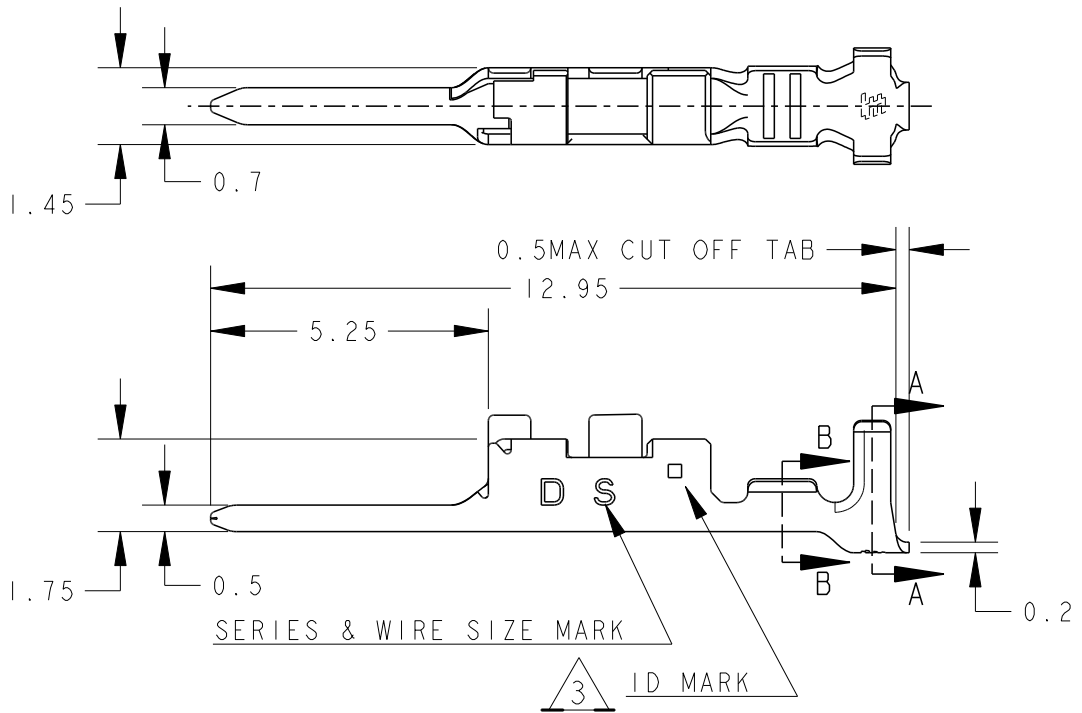


REVISIONS					
P	LTR	DESCRIPTION	DATE	DWN	APVD
	C	REVISED PER ECR-19-016494	24OCT2019	F.Z	R.B



- 1. THE SHAPE, SIZE AND POSITION OF THE CHARACTER SHOW THE OUTLINE. THEY DON'T SHOW DETAILS.
- 2. ALTERNATIVE TE LOGO FOR DIFFERENT DIE.
- 2. ALTERNATIVE ID MARK, WITH "■" OR NO MARK.

AS SHOWN: 1903115-2

1 COPPER ALLOY: FINISH; CONTACT AREA Au 0.38umMIN, OVER Ni 1.27umMIN	1903115-2
MATERIAL	PART NO

© 2019 TE Connectivity. All Rights Reserved.

DIMENSIONS:	
mm	
TOLERANCES UNLESS OTHERWISE SPECIFIED:	
± 0.3, ± 3°	
0 PLC	±
1 PLC	±
2 PLC	±
3 PLC	±
4 PLC	±
ANGLES	±

DWN	M. MAEBASHI	11APR2006
CHK	T. KUDO	11APR2006
APVD	D. MITSUGI	11APR2006
PRODUCT SPEC	108-78268	
APPLICATION SPEC	114-5377	
WEIGHT	0.071 g	

WIRE RANGE	AWG#30~#28	INSULATION DIA	Ø 0.6~Ø 1.2
mm ²	0.05~0.09	FINISH	1
MATERIAL	1	TE Connectivity	
NAME DYNAMIC D1000 SERIES TAB CONTACT Au, S-TYPE L/P			
SIZE	CAGE CODE	DRAWING NO	RESTRICTED TO
A4	00779	C-1903115	
CUSTOMER DRAWING		SCALE 7:1	SHEET 1 OF 1 REV C