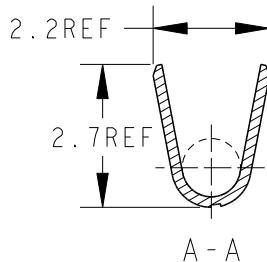
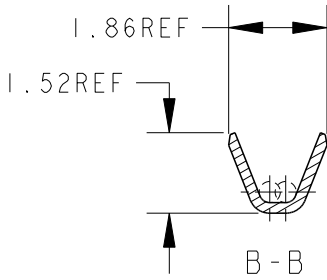
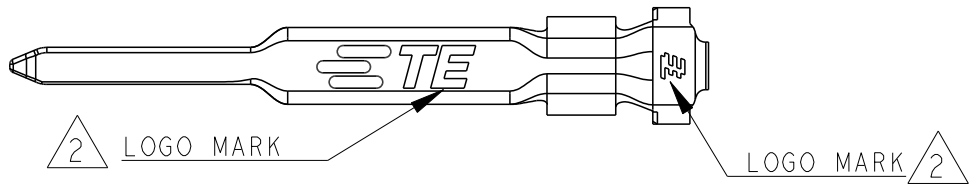
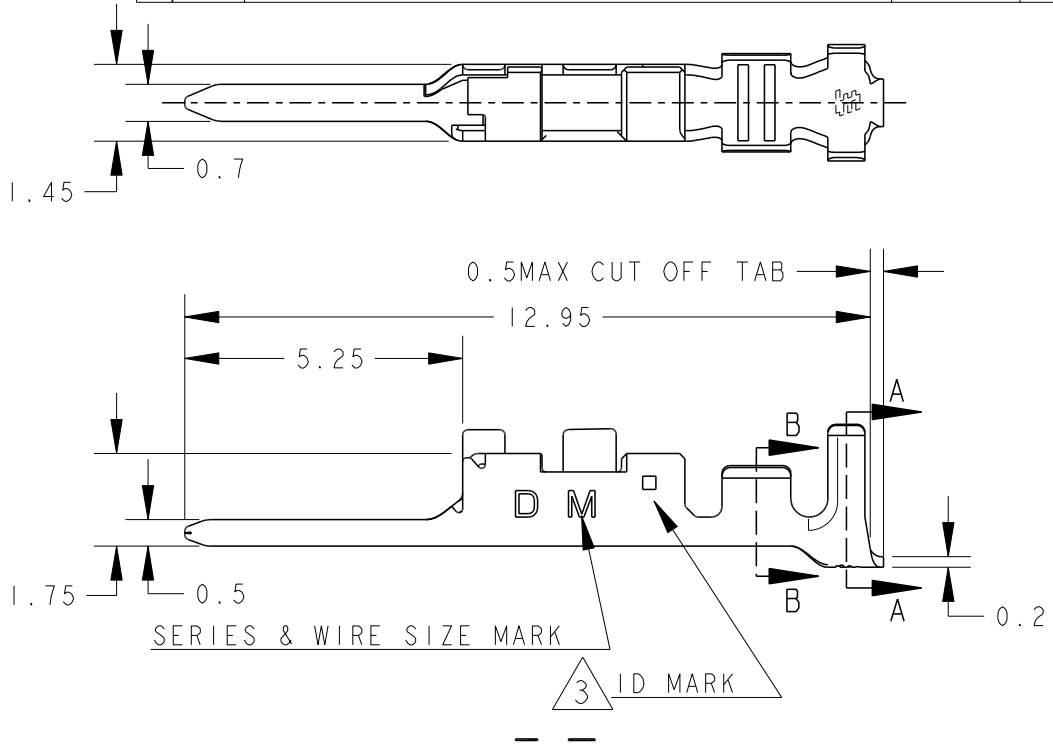


REVISIONS					
P	LTR	DESCRIPTION	DATE	DWN	APVD
	C	REVISED PER ECR-19-016494	24OCT2019	F.Z	R.B



- 1. THE SHAPE, SIZE AND POSITION OF THE CHARACTER SHOW THE OUTLINE. THEY DON'T SHOW DETAILS.
- 2. ALTERNATIVE LOGO MARK FOR DIFFERENT DIE.
- 3. ALTERNATIVE ID MARK, WITH "■" OR NO MARK.

AS SHOWN: 1903116-2

1	COPPER ALLOY: FINISH; CONTACT AREA Au 0.38umMIN, OVER Ni 1.27umMIN	1903116-2
	MATERIAL	PART NO

© 2019 TE Connectivity. All Rights Reserved.

DIMENSIONS:	
mm	
TOLERANCES UNLESS OTHERWISE SPECIFIED:	
± 0.3, ± 3°	
0 PLC	±
1 PLC	±
2 PLC	±
3 PLC	±
4 PLC	±
ANGLES	±

DWN	M. MAEBASHI	11APR2006
CHK	T. KUDO	11APR2006
APVD	D. MITSUGI	11APR2006
PRODUCT SPEC	108-78268	
APPLICATION SPEC	114-5377	
WEIGHT	0.075 g	

WIRE RANGE		AWG#28-#22	INSULATION DIA	
mm ² 0.08~0.38			∅ 1.08~∅ 1.6	
MATERIAL		1	FINISH	
			1	
TE Connectivity				
NAME DYNAMIC D1000 SERIES TAB CONTACT Au, M-TYPE L/P				
SIZE	CAGE CODE	DRAWING NO	RESTRICTED TO	
A4	00779	C-1903116		
CUSTOMER DRAWING		SCALE	SHEET	REV
		7:1	1 OF 1	C