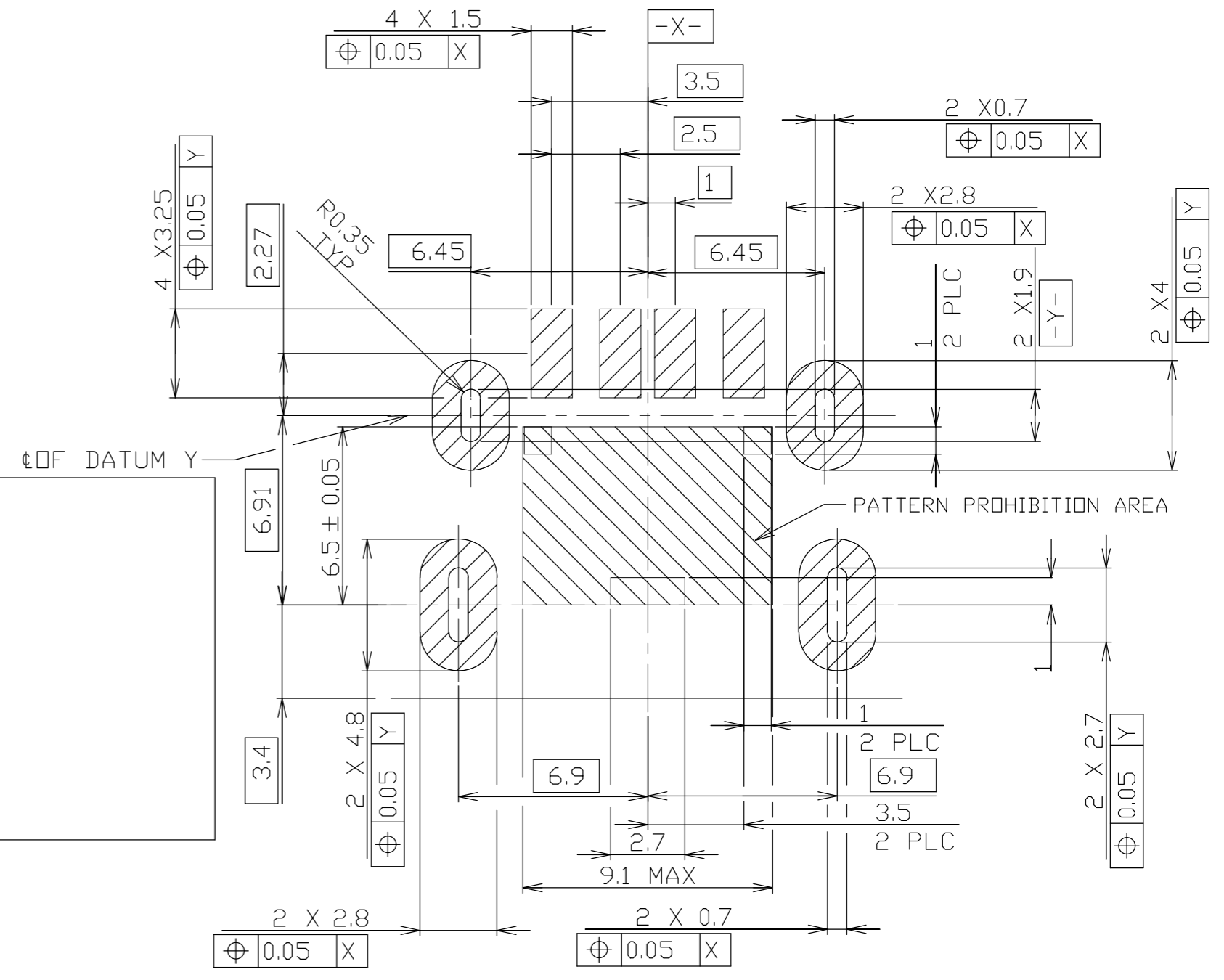
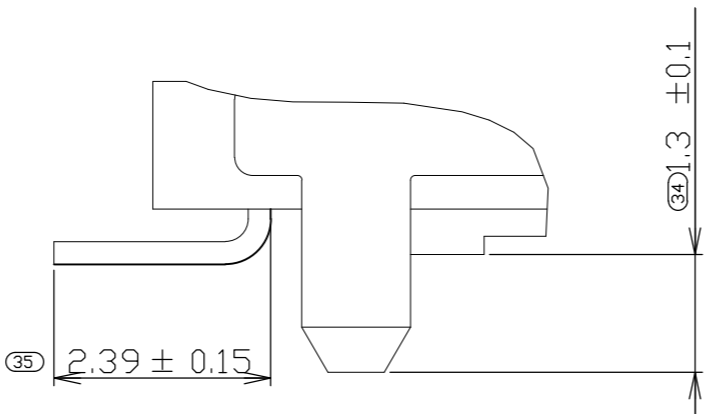
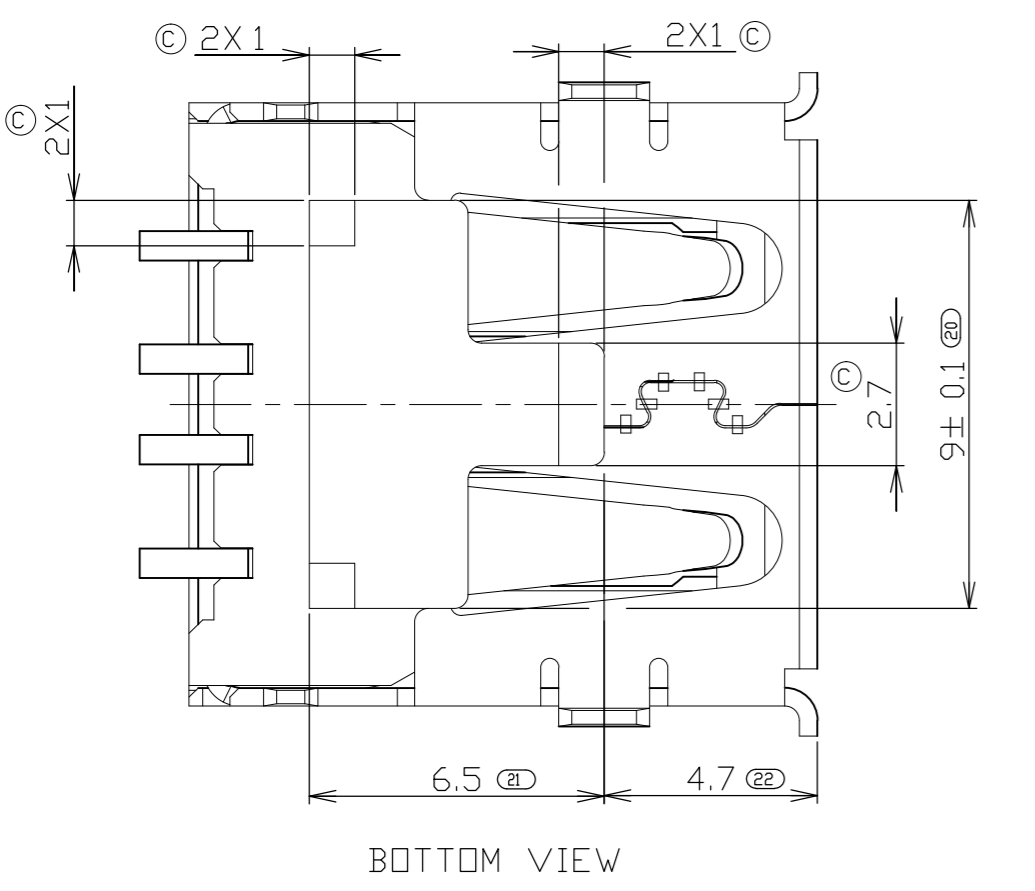
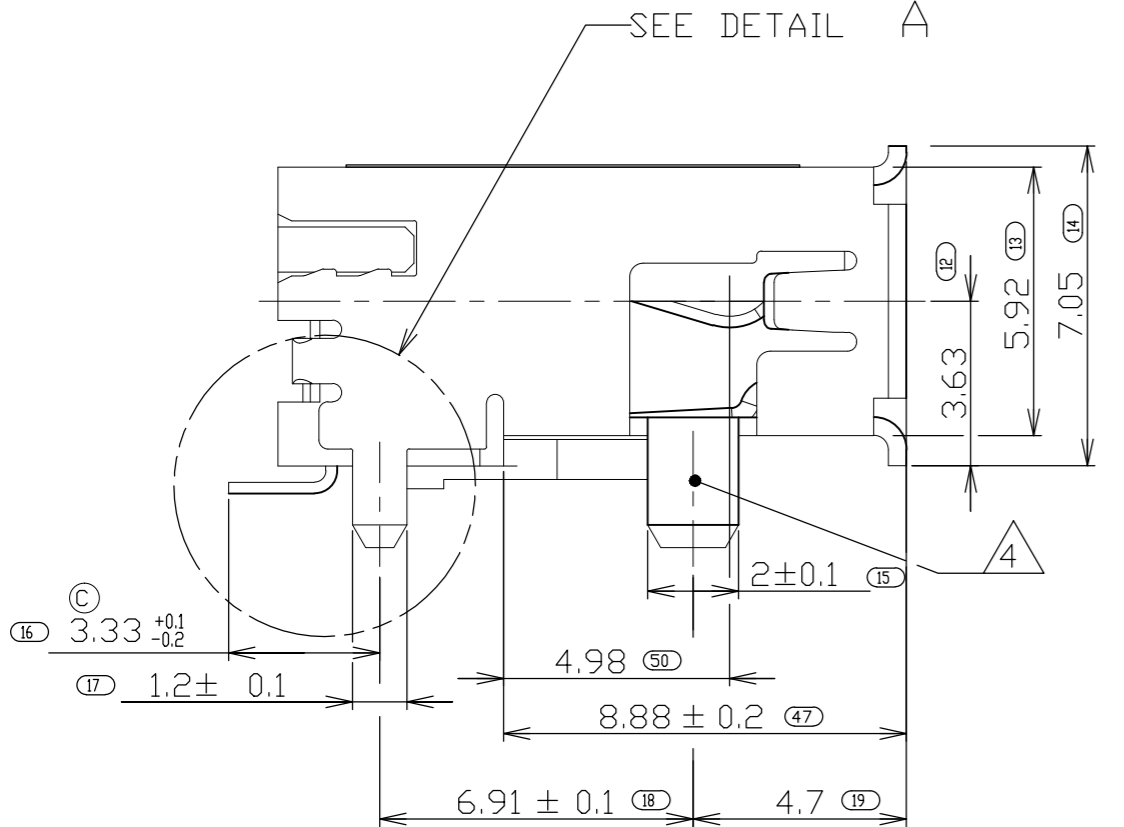
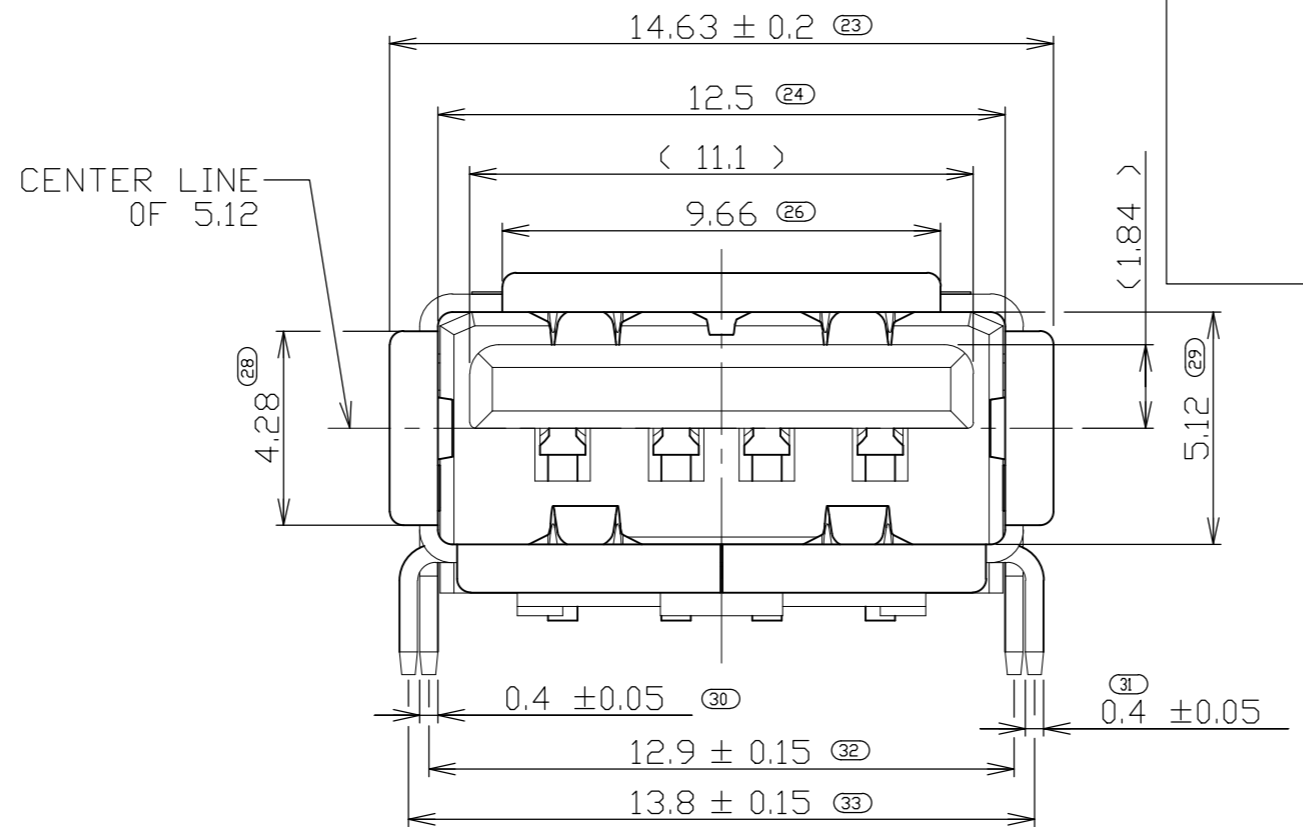
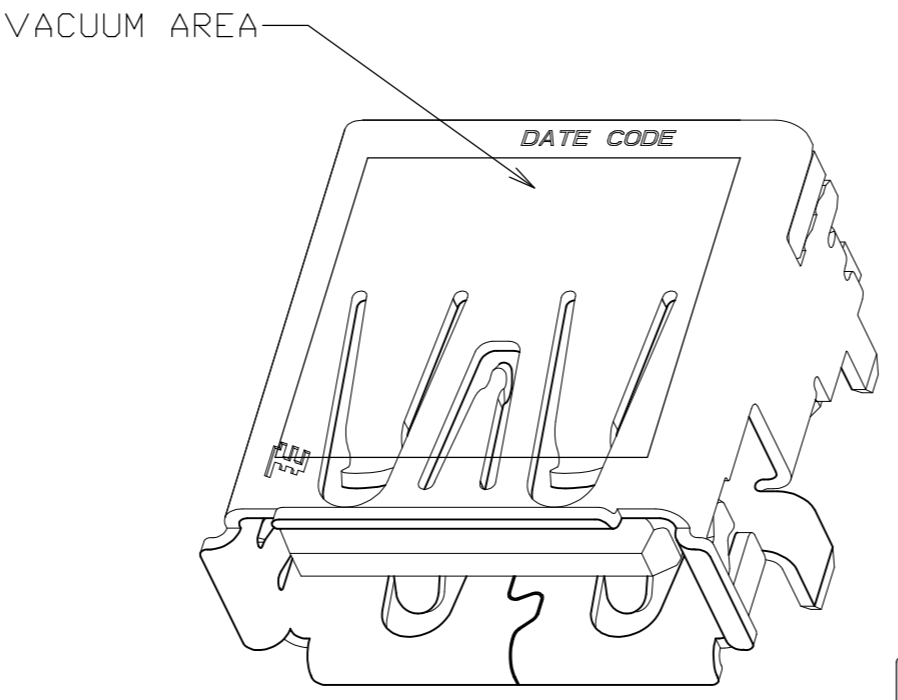
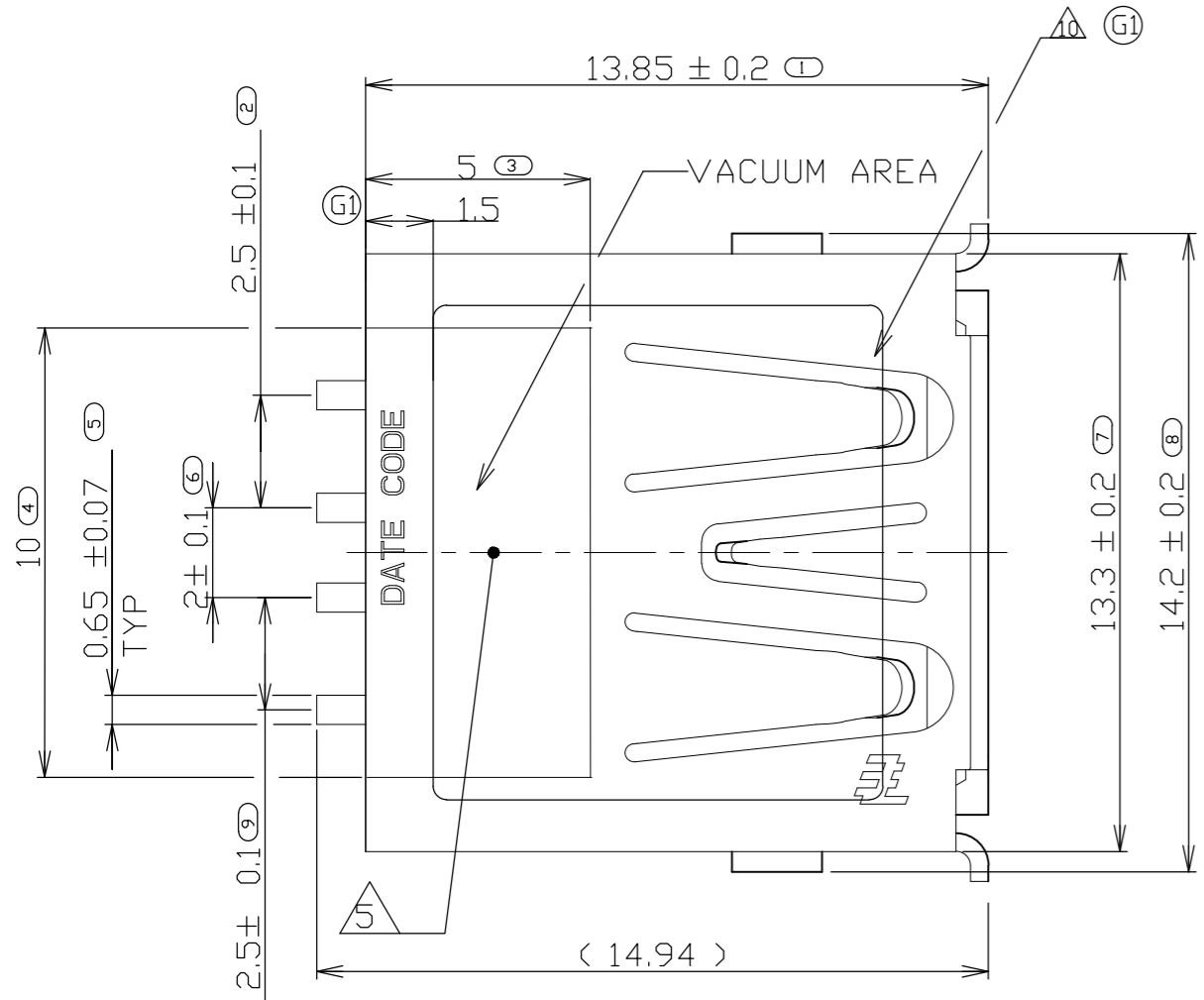


THIS DRAWING IS UNPUBLISHED. RELEASED FOR PUBLICATION  
 © COPYRIGHT - By - ALL RIGHTS RESERVED.

REVISONS		DATE	DWN	APVD
P	LTR	DESCRIPTION		
H		REVISED PER ECR-18-014400	07NOV2018	T.Z S.L



NOTES:  
 △ MATERIALS:  
 △ HOUSING: LCP, UL 94V-0 RATED; COLOR: BLACK  
 △ CONTACTS: COPPER ALLOY  
 △ SHIELD: CARBON STEEL (T=0.40mm)  
 △ KAPTON: LYMIDE TAPE (NO.360AST) COLOR : BROWN (TRANSPARENT)  
 △ FINISH:  
 △ CONTACT: 0.76um MIN GOLD PLATING AND POROSITY SEALING TREATMENT ON CONTACT AREA  
 3.8um MIN MATTE TIN ON SOLDER TAILS  
 1.27um MIN NICKEL UNDER PLATING  
 △ CONTACT: 0.05um MIN GOLD PLATING OVER 0.75um MIN Pd-Ni, AND POROSITY SEALING TREATMENT ON CONTACT AREA  
 3.8um MIN MATTE TIN ON SOLDER TAILS  
 1.27um MIN NICKEL UNDER PLATING  
 SHIELD: POINT △ IS 3um MIN AND POINT △ IS 2.4um MAX  
 MATTE TIN ALL OVER 1.0um MIN NICKEL  
 INCLUDES FRACTURE SURFACE (EDGE)  
 3. TINE COPPLANARITY MUST BE UNDER 0.1 MAX

(G1)	△ 1	△	△	1932638-5
(G2)	-	△	△	1932638-4
(G3)	-	△	△	1932638-3
(H)	OBSOLETE	△	△	1932638-2
	KAPTON	CONTACT PLATING	HOUSING MATERIAL	PART NUMBER

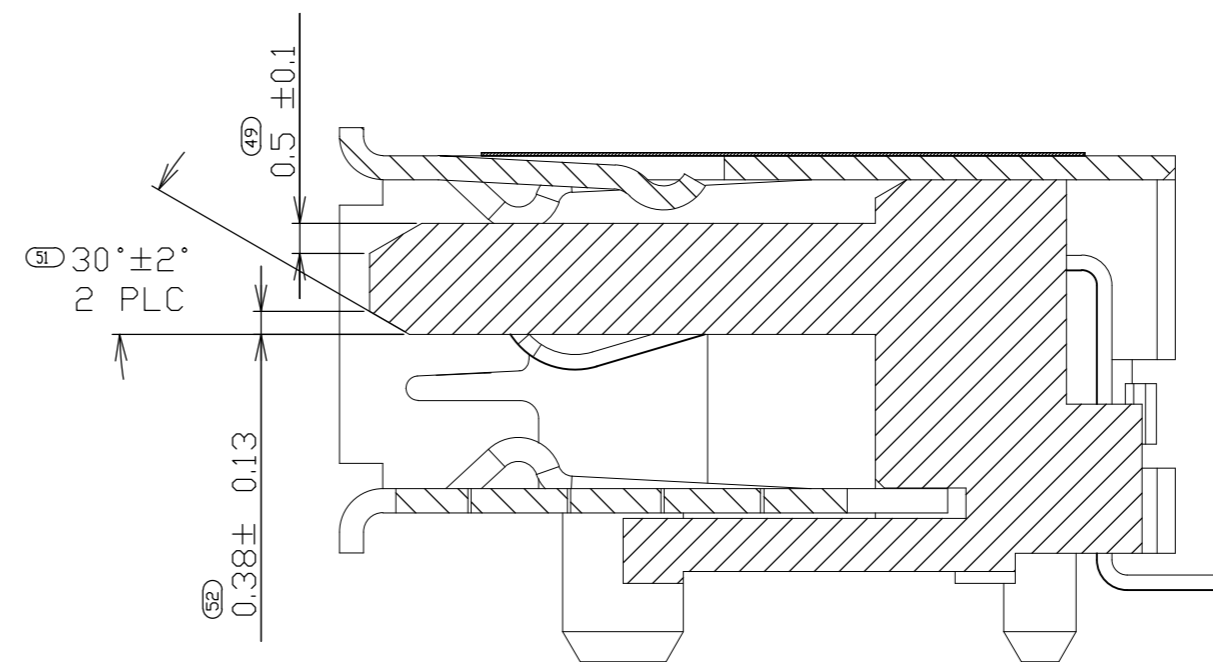
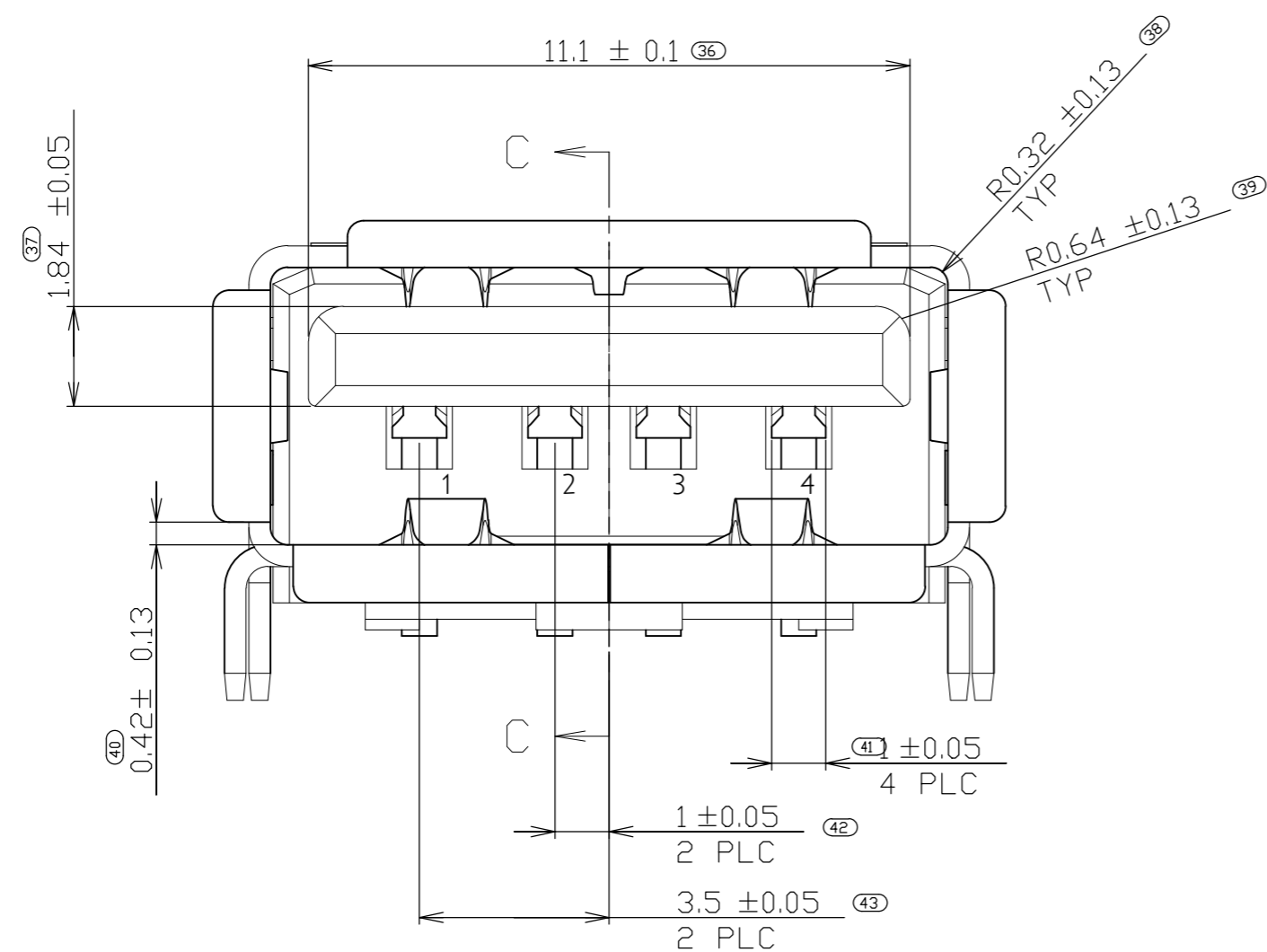
THIS DRAWING IS A CONTROLLED DOCUMENT.

DWN	ADAMS LV	21SEP2013
CHK	MARTIN LI	21SEP2013
APVD	STEVEN YAO	21SEP2013
NAME	STEVEN YAO	
PRODUCT SPEC	108-60034	
APPLICATION SPEC	-	
MATERIAL	-	
FINISH	-	
WEIGHT	-	
CUSTOMER DRAWING	SCALE	NTS
SIZE	A2	
CAGE CODE	00779	
DRAWING NO	C=1932638	
RESTRICTED TO	-	
SHEET	1 of 4	
REV	H	

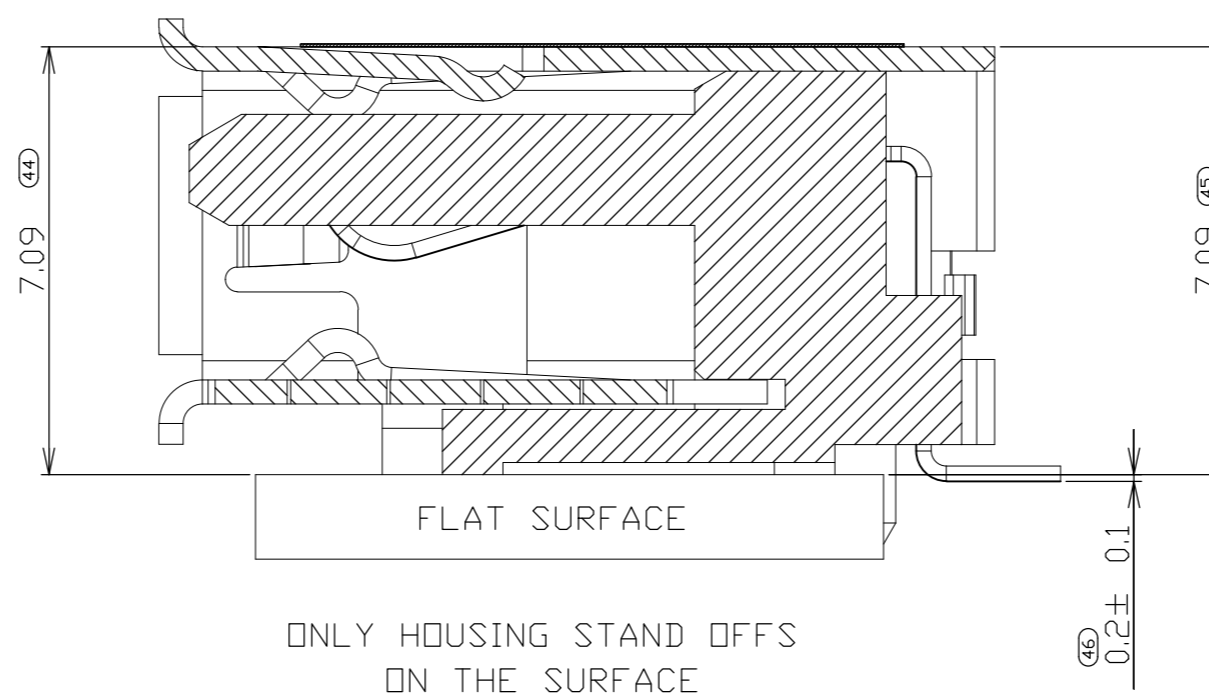
TE Connectivity  
 RECEPTACLE ASSEMBLY RIGHT ANGLE  
 SMT USB 2.0

THIS DRAWING IS UNPUBLISHED. RELEASED FOR PUBLICATION  
 © COPYRIGHT - By - ALL RIGHTS RESERVED.

LOC		DIST		REVISIONS			
P	LTR	DESCRIPTION	DATE	DWN	APVD		
-	-	SEE SHEET 1	-	-	-	-	-

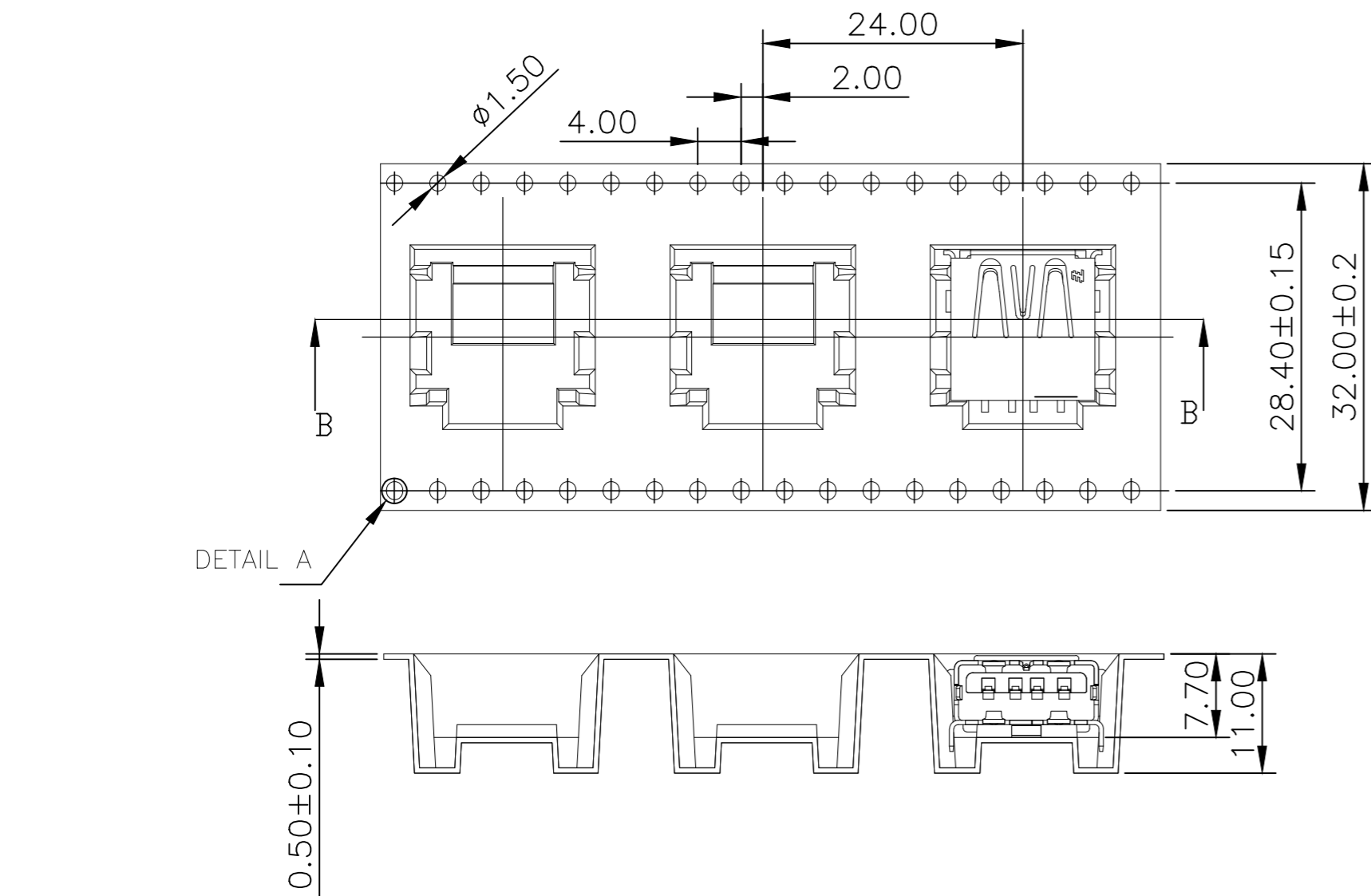
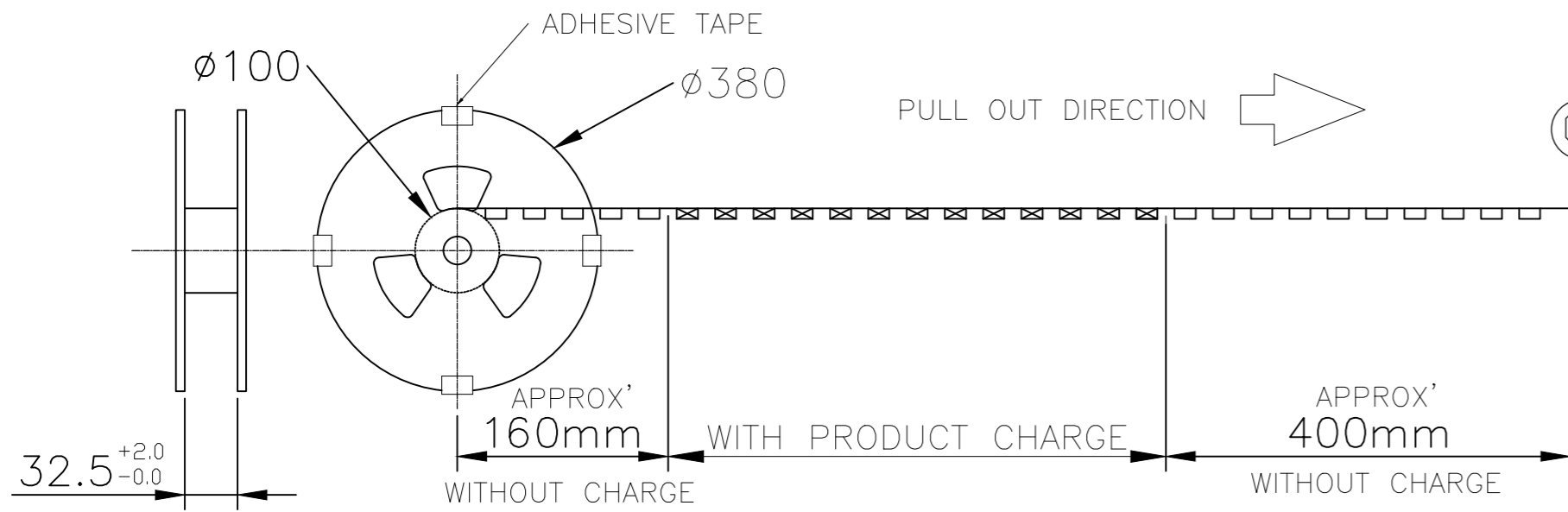


SECTION C-C



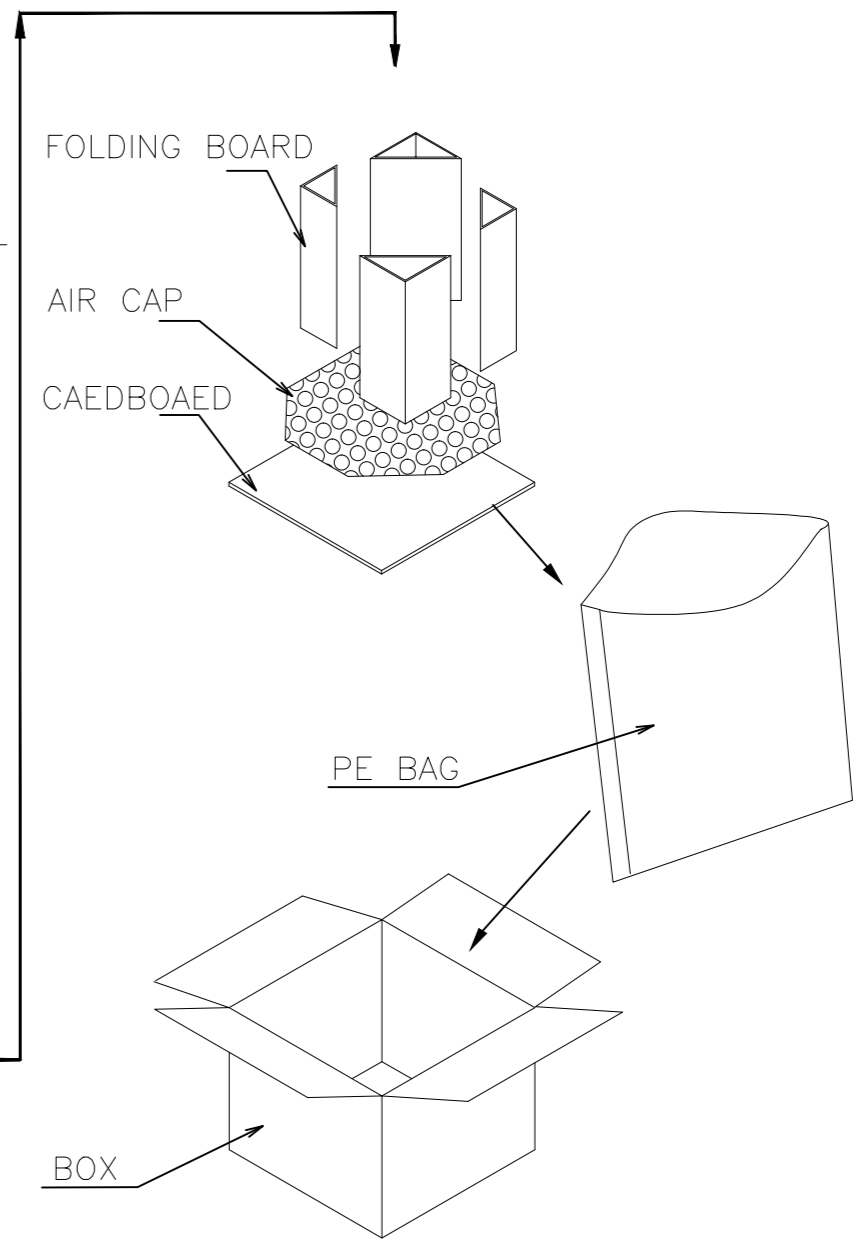
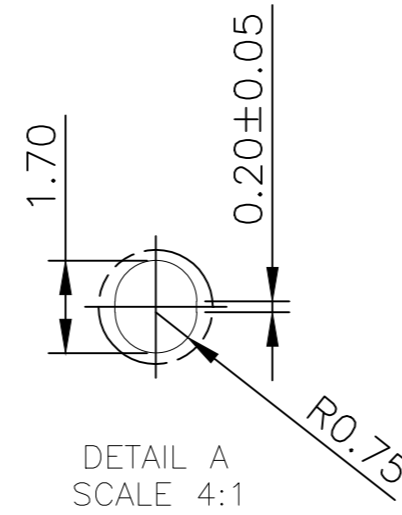
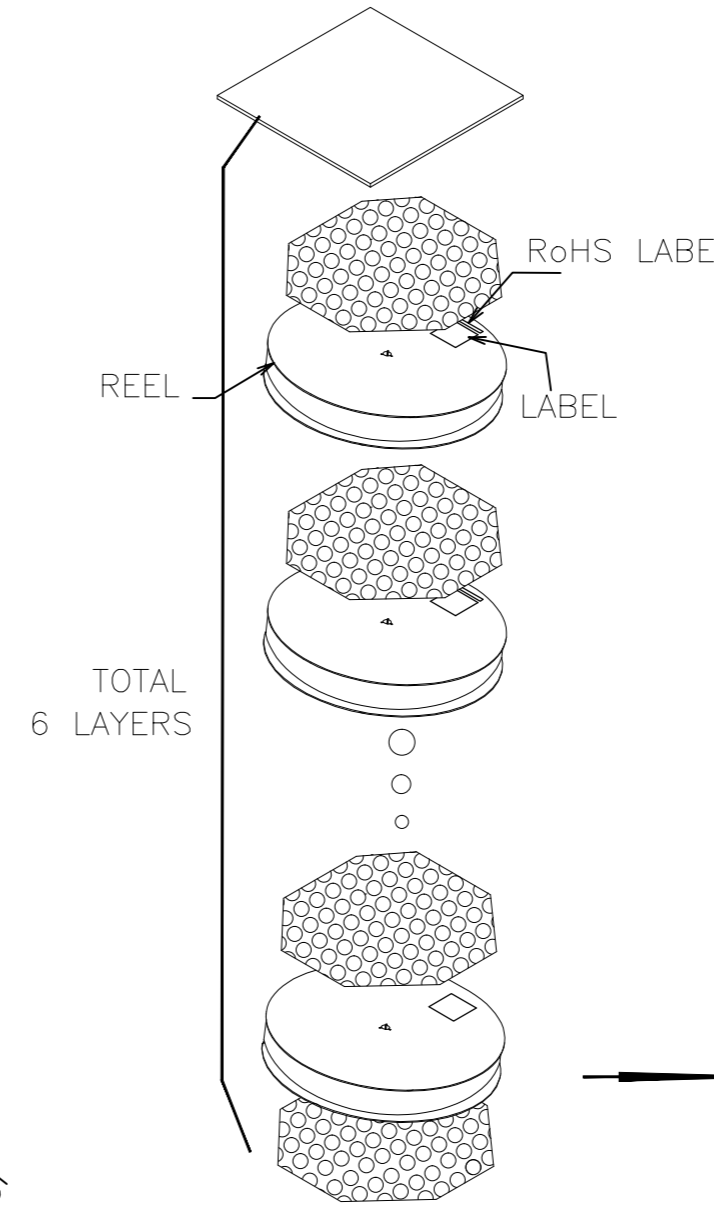
THIS DRAWING IS A CONTROLLED DOCUMENT.		DWN ADAMS LV 21SEP2013	TE Connectivity	
DIMENSIONS: mm		CHK MARTIN LI 21SEP2013		
TOLERANCES UNLESS OTHERWISE SPECIFIED:		APVD STEVEN YAO 21SEP2013	NAME RECEPTACLE ASSEMBLY RIGHT ANGLE SMT USB 2.0	
0 PLC $\pm 0.25$ 1 PLC $\pm 0.20$ 2 PLC $\pm 0.20$ 3 PLC $\pm 0.15$ 4 PLC $\pm 0.15$ ANGLES $\pm 3$		PRODUCT SPEC 108-60034	RESTRICTED TO -	
MATERIAL		APPLICATION SPEC -	SIZE A2	CAGE CODE 00779
FINISH		WEIGHT -	DRAWING NO. C-1932638	SCALE NTS
		CUSTOMER DRAWING	SHEET 2 of 4	REV H

LOC		DIST		REVISIONS		
P	LTR	DESCRIPTION	DATE	DWN	APVD	
-	-	-	-	-	-	



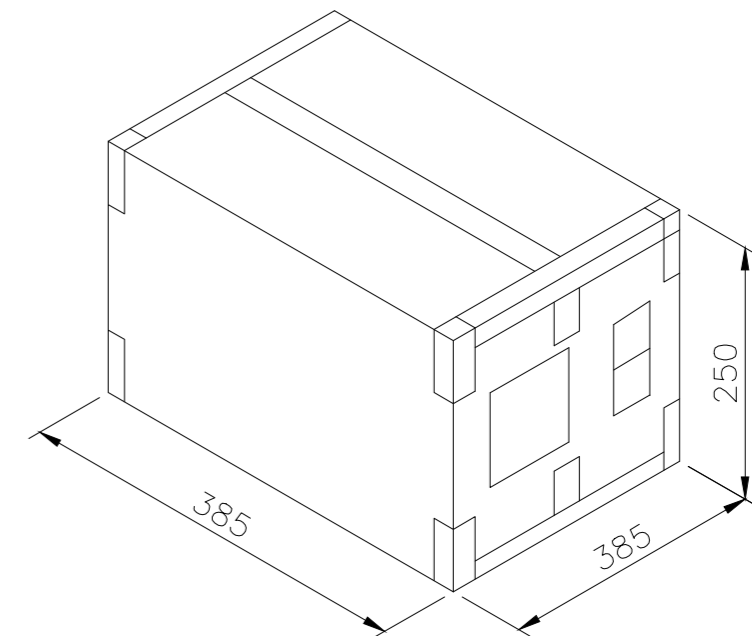
G1

# FOR 1932638-3/4/5 PACKAGE



8.42KG	4.284KG	350	6	2100
GROSS WEIGHT	NET WEIGHT	PCS/ REEL	REEL/ BOX	PCS/ BOX

DATECODE  
 XXXXXXXX  
 LINE OF MANUFACTORY  
 DAY OF WEEK  
 WEEK  
 YEAR



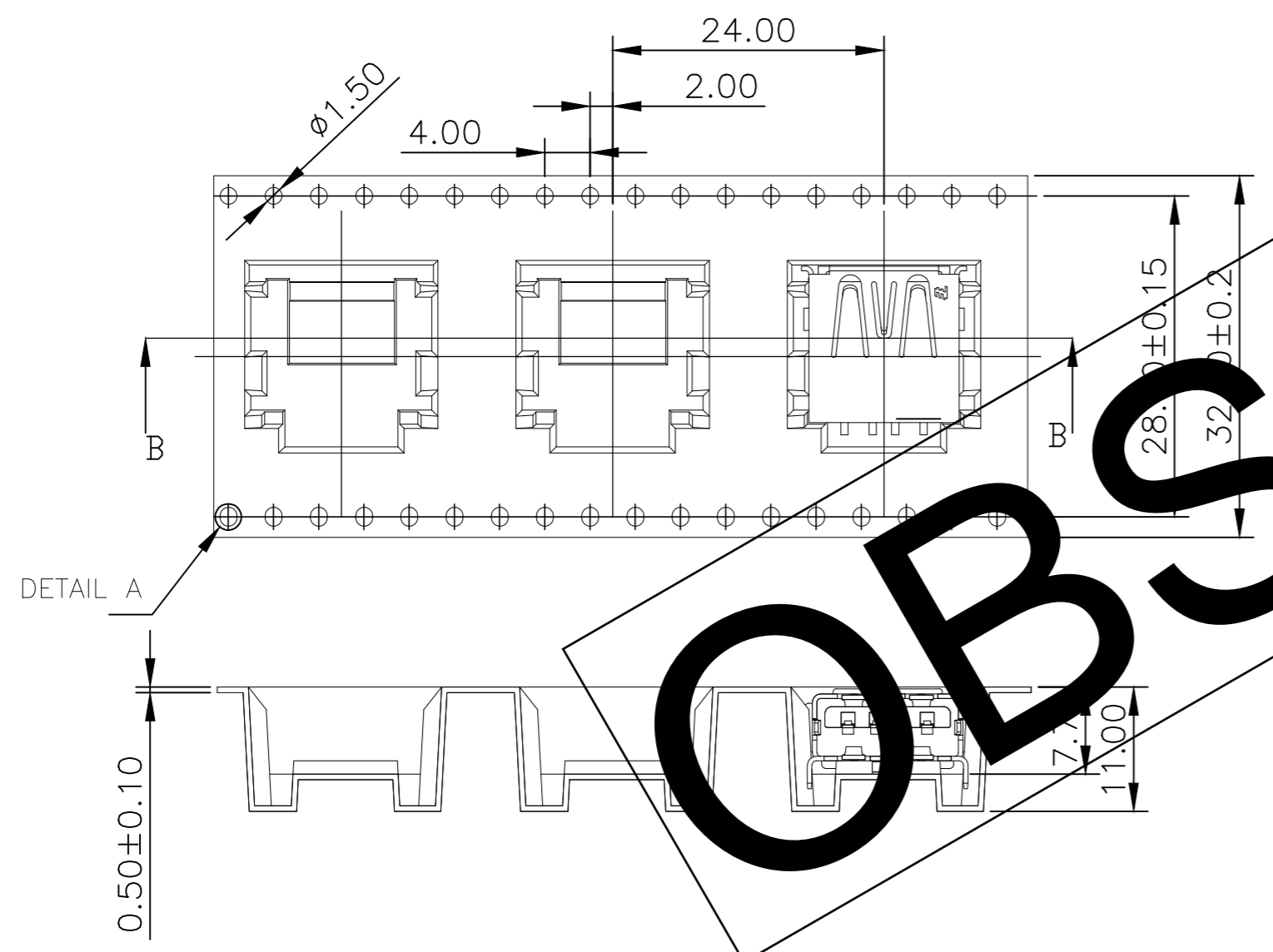
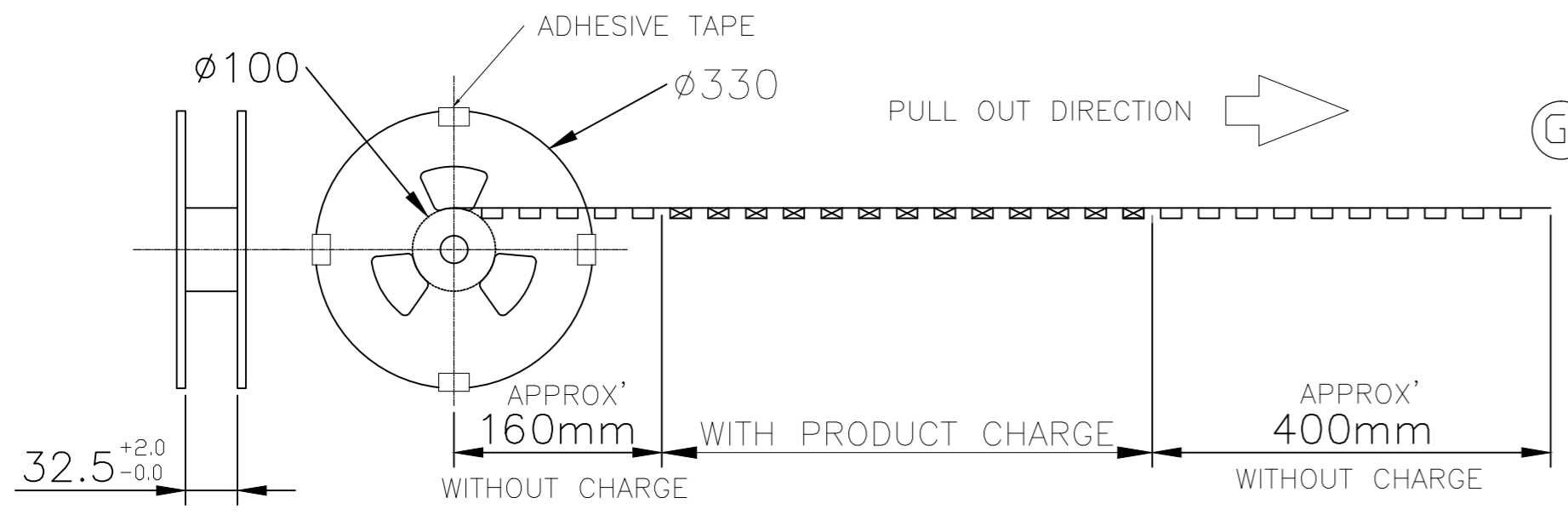
- NOTES :
- PACKAGING MATERIAL IN PLASTIC, RUBBER, INK, PIGMENT AND PAINT MUST MEET CONTROLLED SUBSTANCES PER TEC-138-702  
 \* CADMIUM AND CADMIUM COMPOUNDS NOT TO EXCEED: 5 PPM.  
 \* LEAD, CADMIUM, CHROM VI AND MERCURY NOT TO EXCEED: 100 PPM (COMBINED).  
 \* CARRIER TAPES, COVER TAPES, REELS AND TAPED COMPONENTS MUST MEET THE REQUIREMENTS DEFINED PER EIA-481-B.
  - MATERIAL :  
 COVER TAPE : PS, COLOR: TRANSPARENT.  
 CARRIER TAPE : HIPS, COLOR: TRANSPARENT.  
 REEL : PC BLUE  
 SHIPPING BOX: CORRUGATED FIBER

THIS DRAWING IS A CONTROLLED DOCUMENT.		DWN ADAMS LV 21SEP2013	TE Connectivity													
DIMENSIONS: mm		CHK MARTIN LI 21SEP2013														
TOLERANCES UNLESS OTHERWISE SPECIFIED:		APVD STEVEN YAO 21SEP2013	NAME RECEPTACLE ASSEMBLY RIGHT ANGLE SMT USB 2.0													
<table border="1"> <tr> <td>0 PLC</td><td>± 0.25</td> </tr> <tr> <td>1 PLC</td><td>± 0.20</td> </tr> <tr> <td>2 PLC</td><td>± 0.20</td> </tr> <tr> <td>3 PLC</td><td>± 0.15</td> </tr> <tr> <td>4 PLC</td><td>± 0.15</td> </tr> <tr> <td>ANGLES</td><td>± 3</td> </tr> </table>		0 PLC	± 0.25	1 PLC	± 0.20	2 PLC	± 0.20	3 PLC	± 0.15	4 PLC	± 0.15	ANGLES	± 3	PRODUCT SPEC 108-60034	RESTRICTED TO	
0 PLC	± 0.25															
1 PLC	± 0.20															
2 PLC	± 0.20															
3 PLC	± 0.15															
4 PLC	± 0.15															
ANGLES	± 3															
MATERIAL		APPLICATION SPEC	SIZE A2	CAGE CODE 00779												
FINISH		WEIGHT	DRAWING NO C-1932638													
		CUSTOMER DRAWING		SCALE NTS												
		SHEET 3 of 4		REV H												

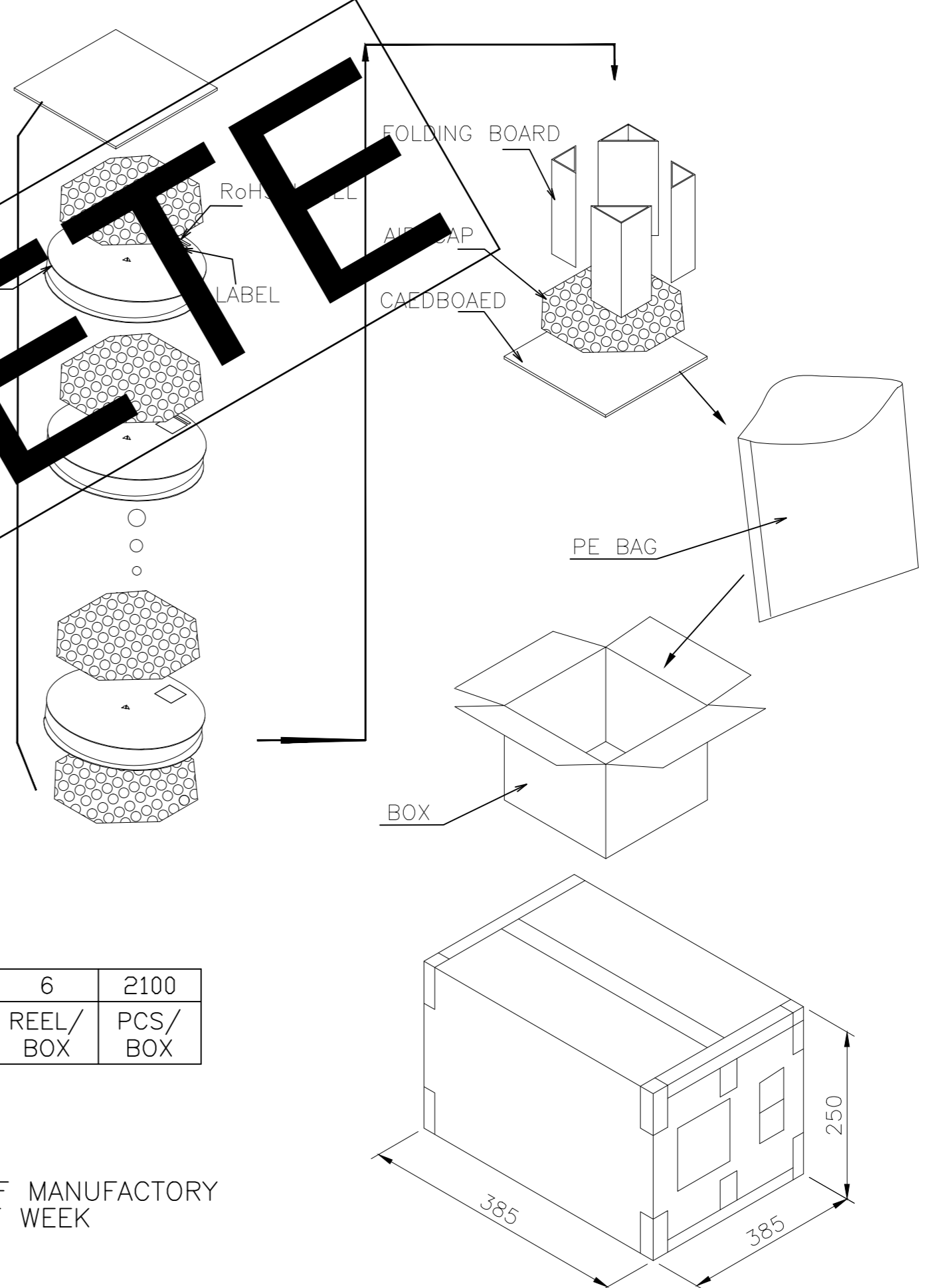
THIS DRAWING IS UNPUBLISHED. RELEASED FOR PUBLICATION  
 © COPYRIGHT - By - ALL RIGHTS RESERVED.

LOC		DIST		REVISIONS			
P	LTR	DESCRIPTION	DATE	DWN	APVD		
-	-	-	-	-	-	-	

# FOR 1932638-2 PACKAGE



OBSOLETE



8.42KG	4.284KG	250	6	2100
GROSS WEIGHT	NET WEIGHT	PCS/ REEL	REEL/ BOX	PCS/ BOX

DATECODE  
 XXXXXXXX  
 LINE OF MANUFACTORY  
 DAY OF WEEK  
 WEEK  
 YEAR

- NOTES :
- PACKAGING MATERIAL IN PLASTIC, RUBBER, INK, PIGMENT AND PAINT MUST MEET CONTROLLED SUBSTANCES PER TEC-138-702
    - \* CADMIUM AND CADMIUM COMPOUNDS NOT TO EXCEED: 5 PPM.
    - \* LEAD, CADMIUM, CHROM VI AND MERCURY NOT TO EXCEED: 100 PPM (COMBINED).
    - \* CARRIER TAPES, COVER TAPES, REELS AND TAPED COMPONENTS MUST MEET THE REQUIREMENTS DEFINED PER EIA-481-B.
  - MATERIAL :
    - COVER TAPE : PS, COLOR: TRANSPARENT.
    - CARRIER TAPE : HIPS, COLOR: TRANSPARENT.
    - REEL : PC BLUE
    - SHIPPING BOX: CORRUGATED FIBER

THIS DRAWING IS A CONTROLLED DOCUMENT.		DWN ADAMS LV 21SEP2013	TE Connectivity															
DIMENSIONS: mm		CHK MARTIN LI 21SEP2013																
TOLERANCES UNLESS OTHERWISE SPECIFIED:		APVD STEVEN YAO 21SEP2013	NAME RECEPTACLE ASSEMBLY RIGHT ANGLE SMT USB 2.0															
<table border="1"> <tr><td>0 PLC</td><td>± 0.25</td></tr> <tr><td>1 PLC</td><td>± 0.20</td></tr> <tr><td>2 PLC</td><td>± 0.20</td></tr> <tr><td>3 PLC</td><td>± 0.15</td></tr> <tr><td>4 PLC</td><td>± 0.15</td></tr> <tr><td>ANGLES</td><td>± 3</td></tr> </table>		0 PLC	± 0.25	1 PLC	± 0.20	2 PLC	± 0.20	3 PLC	± 0.15	4 PLC	± 0.15	ANGLES	± 3	PRODUCT SPEC 108-60034	SIZE A2	CAGE CODE 00779	DRAWING NO C-1932638	RESTRICTED TO -
0 PLC	± 0.25																	
1 PLC	± 0.20																	
2 PLC	± 0.20																	
3 PLC	± 0.15																	
4 PLC	± 0.15																	
ANGLES	± 3																	
MATERIAL -		FINISH -	WEIGHT -		SCALE NTS	SHEET 4 of 4	REV H											
CUSTOMER DRAWING																		