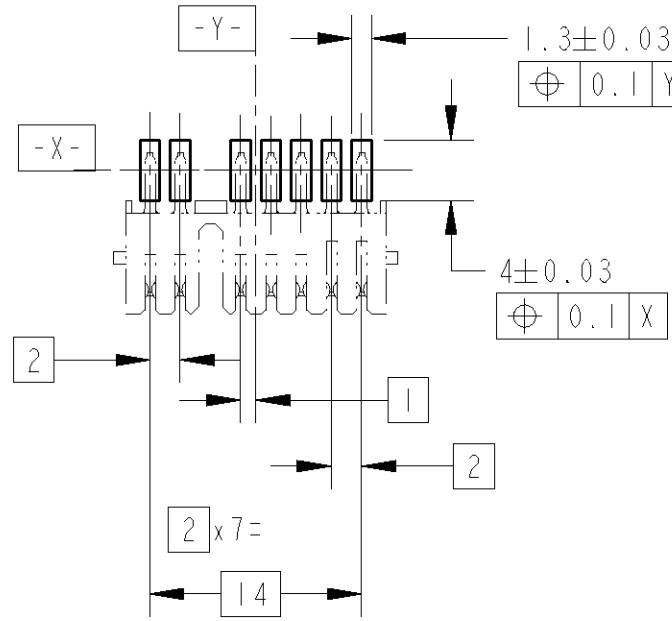
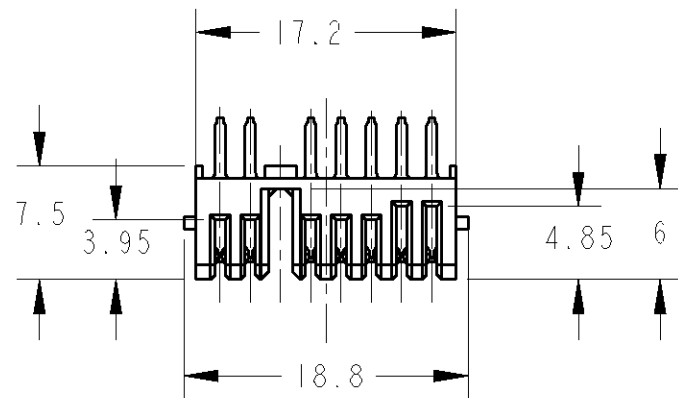


THIS DRAWING IS UNPUBLISHED. RELEASED FOR PUBLICATION 20
 © COPYRIGHT 20 BY TYCO ELECTRONICS CORPORATION. ALL RIGHTS RESERVED.

LOC	DIST	REVISIONS					
		P	LTR	DESCRIPTION	DATE	DWN	APVD
J	-		A	RELEASED	24APR06	T.K	K.K



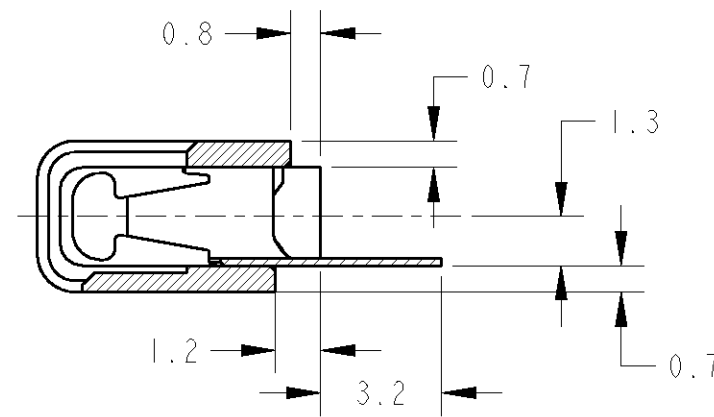
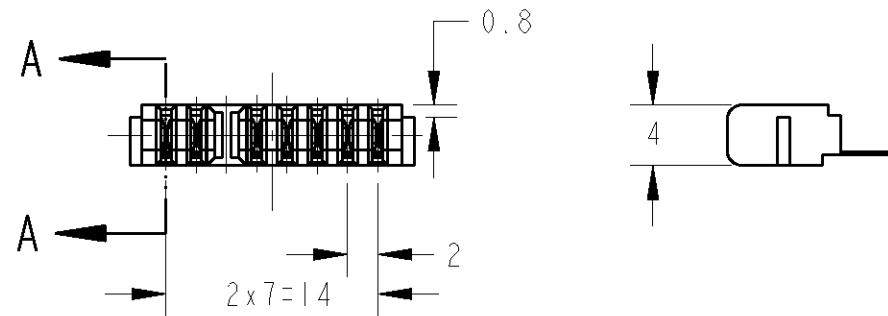
参考基板取付寸法
 REFERENCE P.C BOARD LAYOUT
 P.C. BOARD THK. 0.8~1.2
 (VIEW FROM CONNECTOR MOUNTING SIDE)

1 材料
 コンタクト: 銅合金
 ハウジング: 熱可塑性樹脂, UL 94V-0, 黒

2 仕上げ
 コンタクト: ニッケル下地めっき
 接点部 金めっき
 半田付け部: 錫めっき

1 MATERIAL
 CONTACT: COPPER ALLOY
 HOUSING: THERMOPLASTIC RESIN UL94V-0, BLACK

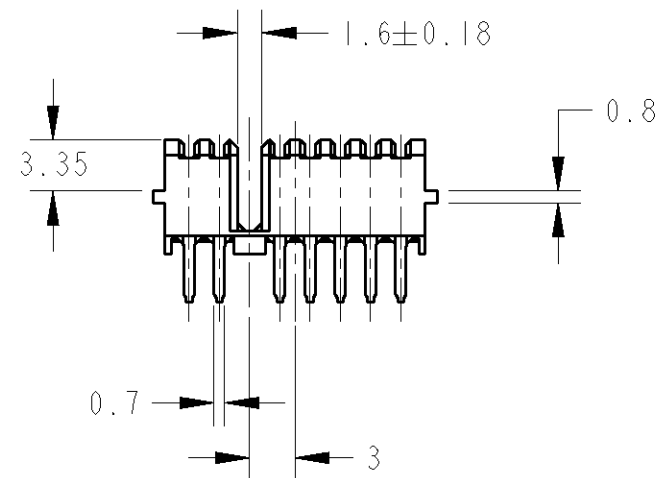
2 FINISH
 CONTACT: NICKEL ALL OVER UNDER PLATING,
 GOLD PLATING AT CONTACT AREA,
 TIN PLATING AT LEAD AREA,



A-A
 SCALE 5:1

SMT TYPE

1939229-1: AS SHOWN



THIS DRAWING IS A CONTROLLED DOCUMENT FOR TYCO ELECTRONICS CORPORATION IT IS SUBJECT TO CHANGE AND THE CONTROLLING ENGINEERING ORGANIZATION SHOULD BE CONTACTED FOR THE LATEST REVISION.		DWN T.KATANO 24APR06 CHK K.KODAIRA 24APR06 APVD K.KODAIRA 24APR06		tyco Electronics		Tyco Electronics AMP K.K. Kawasaki, Japan	
DIMENSIONS: 単位: 概 mm		TOLERANCES UNLESS OTHERWISE SPECIFIED: 一般公差 ±0.3 0-PLC ± 1-PLC ±0.1 2-PLC ±0.01 3-PLC ±0.001 4-PLC ±0.0001 ANGLES ±3		PRODUCT SPEC 製品規格 108-78292		NAME 名称 RECEPTACLE ASSEMBLY 7POS. 2mm PITCH BATTERY CONNECTOR	
MATERIAL 材料 1		FINISH 仕上 2		WEIGHT 0.7g		SIZE A3 CAGE CODE 00779 DRAWING NO 1939229 RESTRICTED TO -	
CUSTOMER DRAWING				SCALE 2:1 SHEET 1 OF 2		REV A	

4

3

2

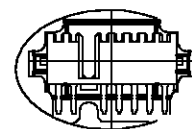
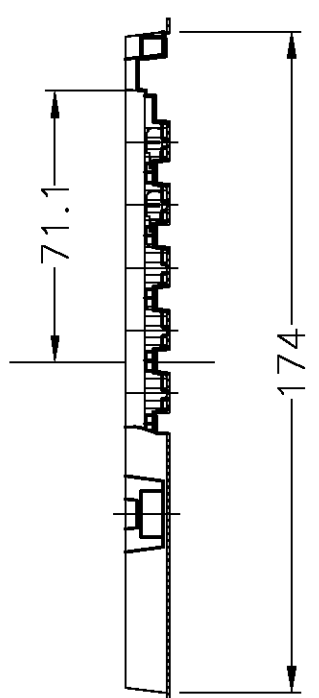
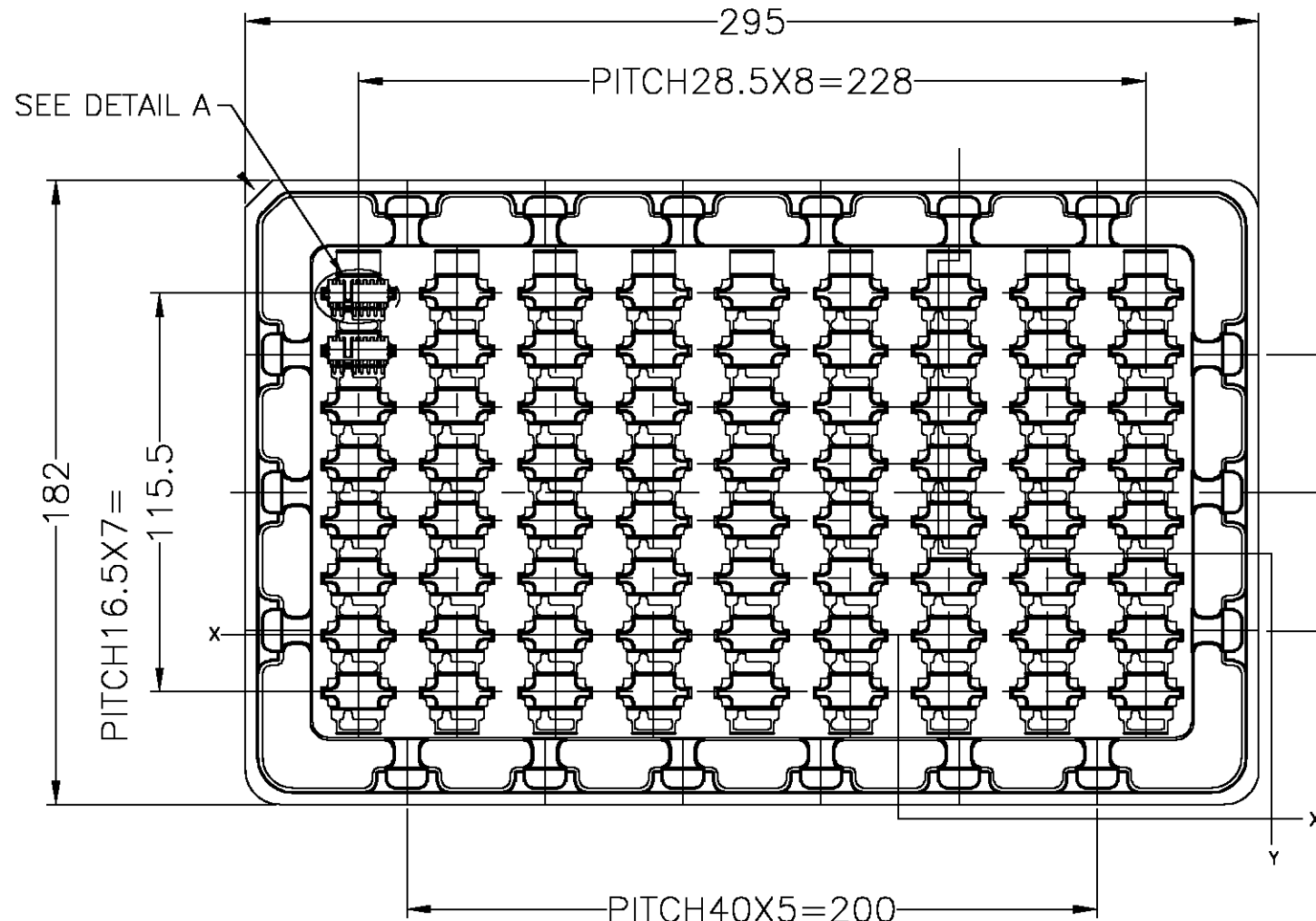
1

THIS DRAWING IS UNPUBLISHED. RELEASED FOR PUBLICATION

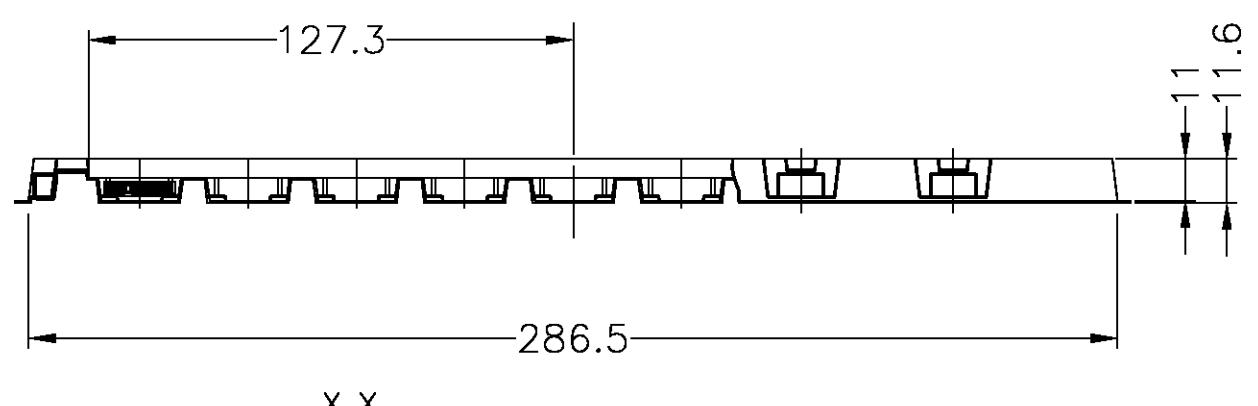
© COPYRIGHT 2005 BY TYCO ELECTRONICS CORPORATION. ALL RIGHTS RESERVED.

LOC	DIST	REVISIONS					
J	—	P	LTR	DESCRIPTION	DATE	DWN	APVD
		—		SEE SHEET 1	—	—	—

AS SHOWN: 1939229-1



DETAIL A SCALE 1:1



1. 72PCS/TRAY

THIS DRAWING IS A CONTROLLED DOCUMENT.		DWN T. KATANO 24APR06	tyco Electronics Tyco Electronics AMP K.K. Kawasaki, Japan	
DIMENSIONS: 単位: 概 mm		CHK K. KODAIRA 24APR06	NAME 名称 RECEPTACLE ASSEMBLY 7POS. 2mm PITCH BATTERY	
TOLERANCES UNLESS OTHERWISE SPECIFIED: 一般公差		APVD K. KODAIRA 24APR06	PRODUCT SPEC 製品規格	
0 PLC ± 2		APPLICATION SPEC 取付適用規格		
1 PLC ± 1		SIZE A3		
2 PLC ± -		CAGE CODE 00779		
3 PLC ± -		DRAWING NO C-1939229		
4 PLC ± -		RESTRICTED TO —		
ANGLES ± -		SCALE 尺度 1:2		
MATERIAL 材料		SHEET 2 OF 2		
FINISH 仕上		REV A		
—		CUSTOMER DRAWING		