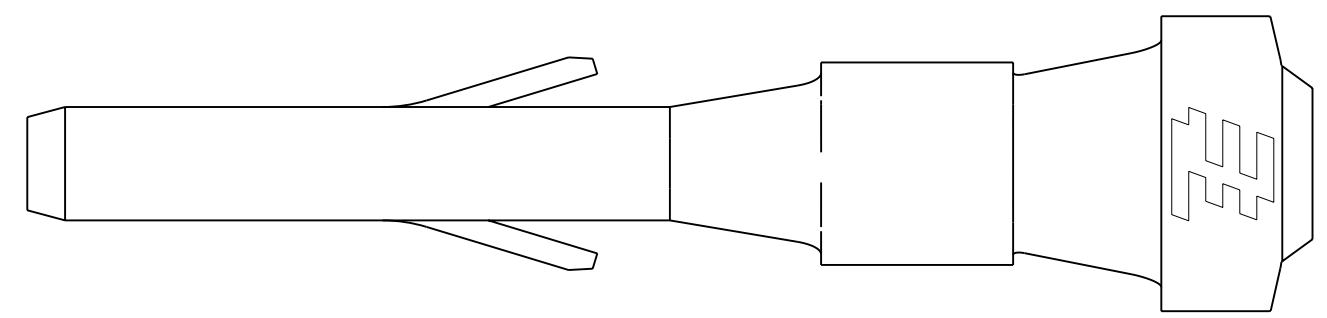


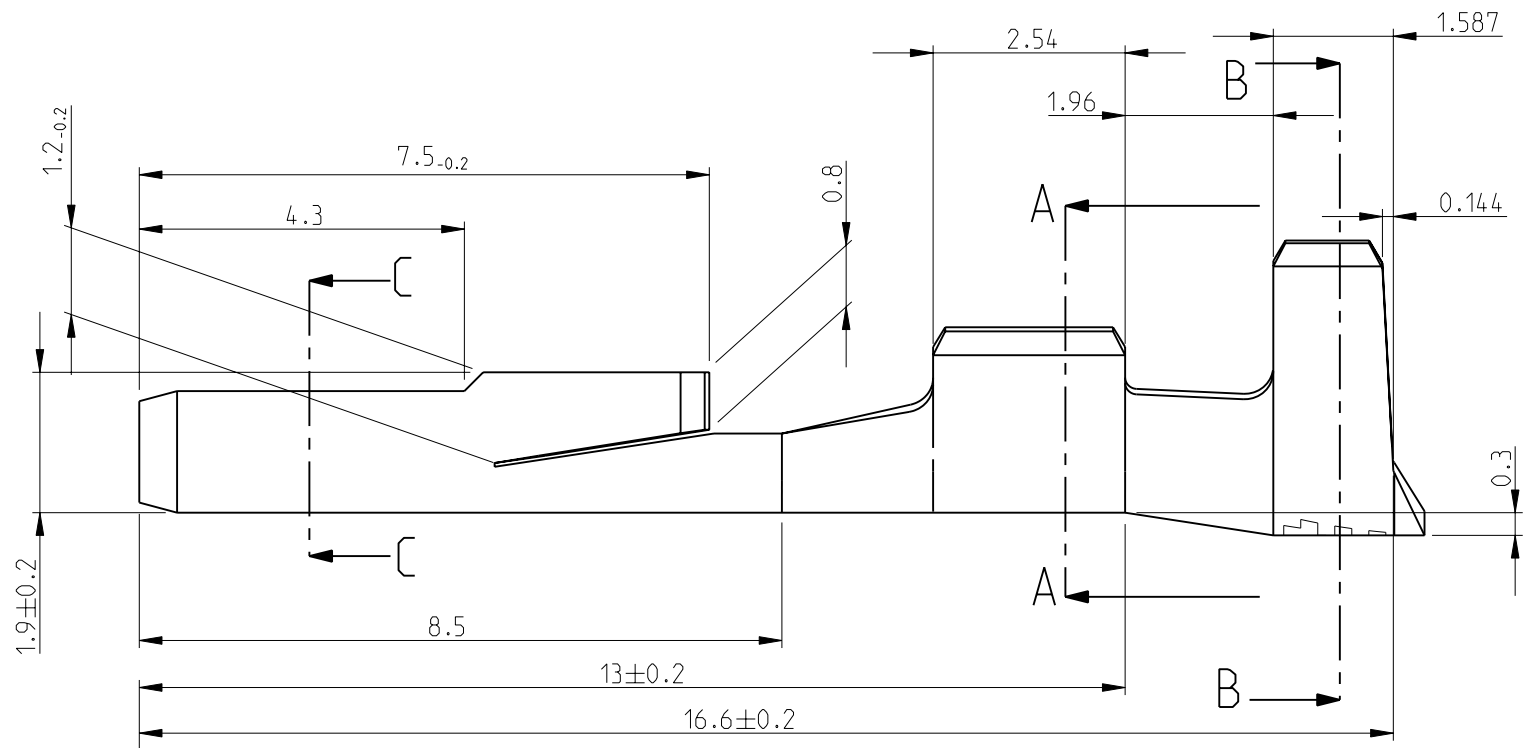
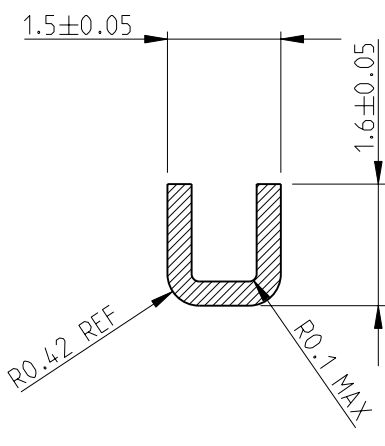
THIS DRAWING IS UNPUBLISHED. RELEASED FOR PUBLICATION 2009
 © COPYRIGHT 2009 BY TYCO ELECTRONICS CORPORATION. ALL RIGHTS RESERVED.

LOC	DIST	REVISIONS			
P	LTR	DESCRIPTION	DATE	DWN	APVD
A1	-	Released As per ECR-10-004315	26-Feb-2010	C.J	R.P

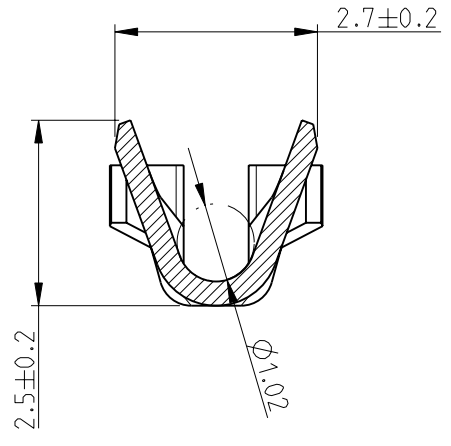


1 REELED ON 24" CARTON TYPE REEL P/N 1-781377-7
 WITH INTERLEAVE PAPER STRIP P/N 782504-7,
 Q.TY/REEL 3,000
 CARTON BOX P/N 973051-1 CONTAINING 4 REELS.

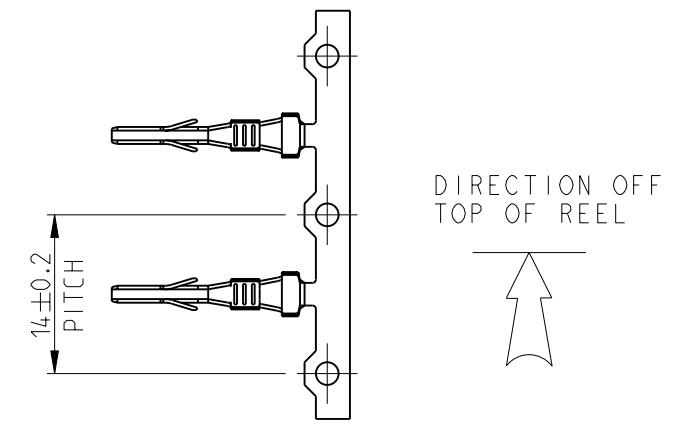
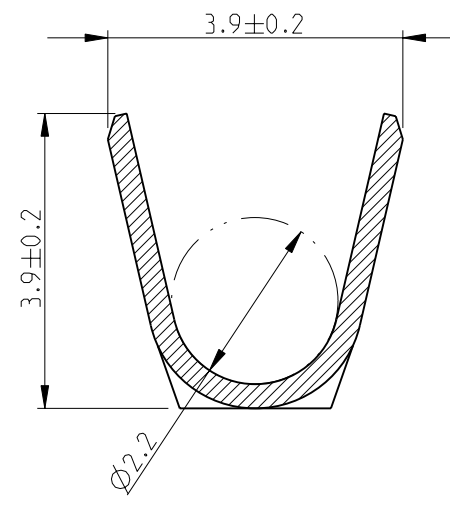
SECTION C-C



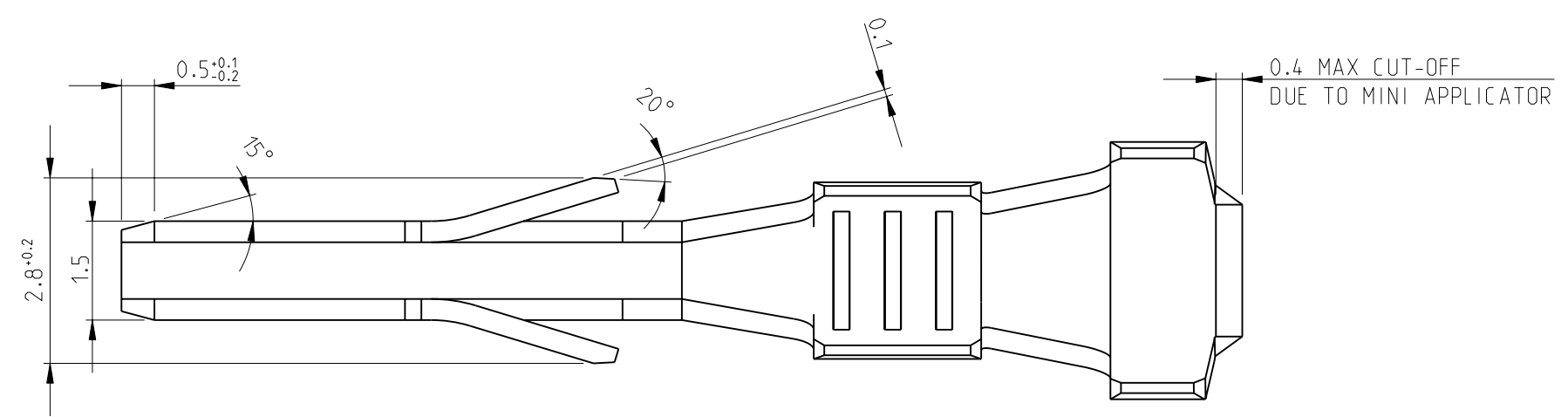
SECTION A-A



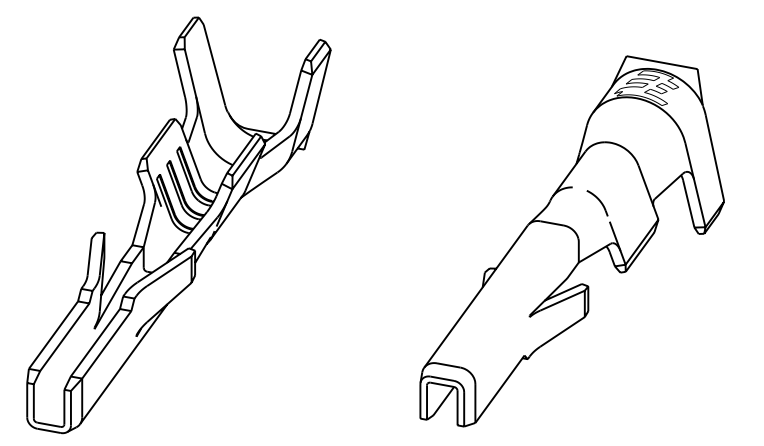
SECTION B-B



2 WIRE RANGE 0.2-0.5 mm²
 INSULATION RANGE 1.4-2.5 Ø



NOTE	PRE-TIN PLATED FINISH	BRASS MATERIAL	1955441-1 PART NO	A REV



SCALE 5:1

THIS DRAWING IS A CONTROLLED DOCUMENT FOR TYCO ELECTRONICS CORPORATION IT IS SUBJECT TO CHANGE AND THE CONTROLLING ENGINEERING ORGANIZATION SHOULD BE CONTACTED FOR THE LATEST REVISION.		DWN Chethan.J 1Jul2009 CHK Rajendra 1Jul2009 APVD M.Westen 1Jul2009	Tyco Electronics Tyco Electronics Corporation India (P) Ltd Bangalore India	
DIMENSIONS: mm 		TOLERANCES UNLESS OTHERWISE SPECIFIED: 0 PLC ±0.1 1 PLC ±0.05 2 PLC ± 3 PLC ± 4 PLC ± ANGLES ±1° FINISH	NAME CRIMPED TAB CONTACT P.C.B INTERFACE SIZE A2 CAGE CODE 00779 DRAWING NO 1955441 RESTRICTED TO - WEIGHT - SCALE 10:1 SHEET 1 OF 1 REV A	
MATERIAL		APPLICATION SPEC 114-20115 CUSTOMER DRAWING		