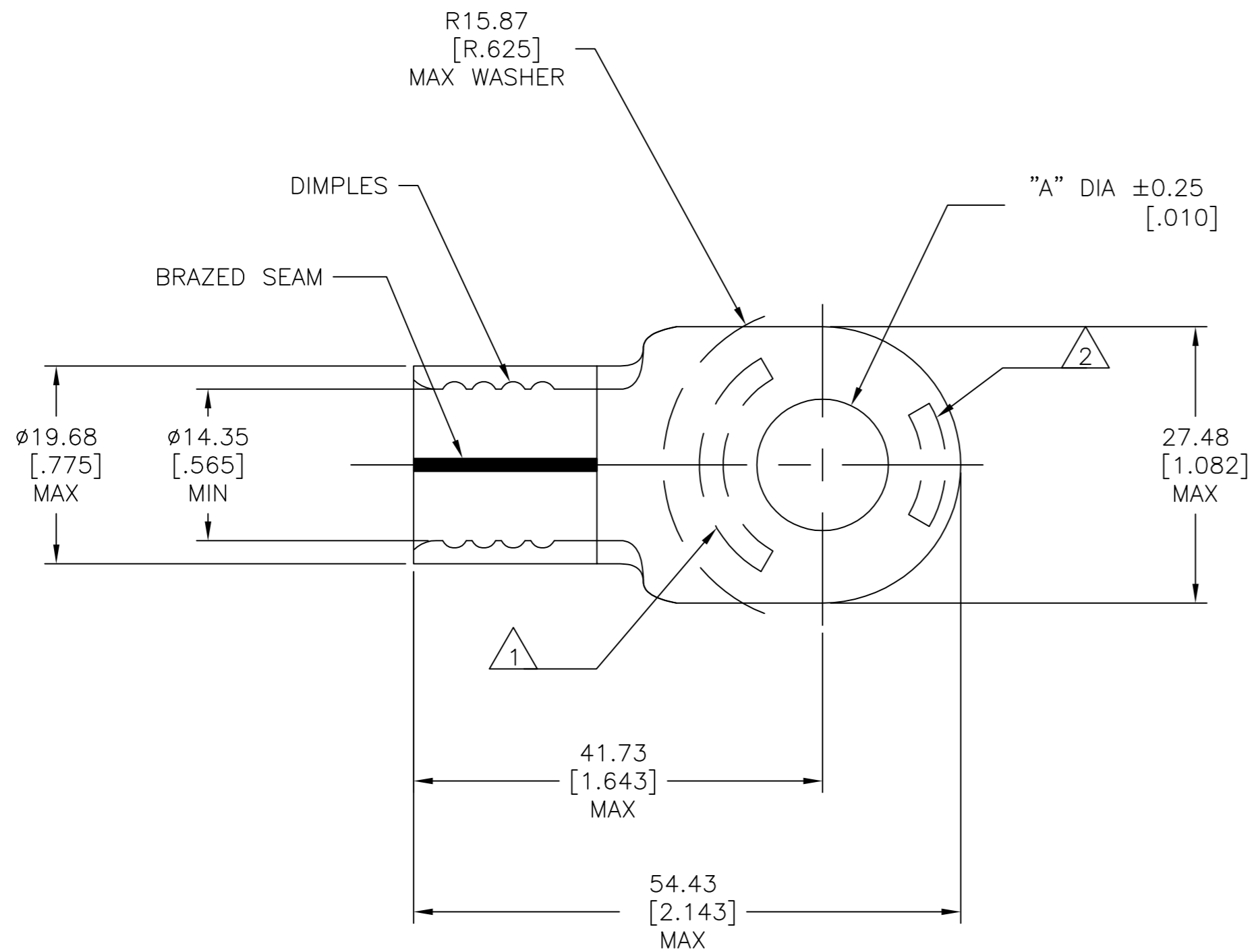


THIS DRAWING IS UNPUBLISHED. RELEASED FOR PUBLICATION  
 © COPYRIGHT - TE Connectivity ALL RIGHTS RESERVED.

P	LTR	DESCRIPTION	DATE	DWN	APVD
	A	RELEASED PER ECR 09-017675	11AUG09	JR	RL
	A1	REVISED PER ECO-17-004099	24AUG2017	BDA	DR



<b>AMP</b> WIRE RANGE	E13288 Listed
3/0 AWG SOLID OR STRANDED	NOT APPLICABLE
LR7189 Certified	MILITARY P/N AND CLASS
NOT APPLICABLE	NOT APPLICABLE

- 1 STAMP AMP 3/0W\* APPROX AS SHOWN
- 2 STAMP 150 APPROX AS SHOWN
- 3 TONGUE MATERIAL THK: 2.31±0.08[.091±.003]
- 4 PREPRODUCTION - FASR REQUIRED

CUSTOMER SERVICE SYSTEMS		MAX RECOMMENDED OPERATING TEMPERATURE: 170°[338°F] C MAX
FOR ADDITIONAL PRODUCT INFORMATION OR COPIES OF DRAWINGS AND TECHNICAL DOCUMENTS	PRODUCT INFORMATION CENTER 1-800-522-6752	VOLTAGE RATING: NOT APPLICABLE
FOR APPLICATION TOOLING INFORMATION	TOOLING ASSISTANCE CENTER 1-800-722-1111	CIRCULAR MIL AREA: 76.3-96.3mm²[150,000-190,000] CIR MILS SOLID OR STRANDED
FOR ORDER ENTRY	1-800-526-5142	

50	LOOSE PIECE	10.75 [.423]	1958311-1
QTY.	PACKAGE TYPE	"A"	PART NUMBER
THIS DRAWING IS A CONTROLLED DOCUMENT.		DWN RAGHAVENDRA 02JUL09	
DIMENSIONS: mm [INCHES]		CHK R LONDON 02JUL09	
TOLERANCES UNLESS OTHERWISE SPECIFIED:		APVD R LONDON 02JUL09	
0 PLC ± -	1 PLC ± -	NAME	
2 PLC ± 0.20[.008]	3 PLC ± -	PRODUCT SPEC	
4 PLC ± -	ANGLES ± -	APPLICATION SPEC	
MATERIAL COPPER ASTM B-152 ANNEALED	FINISH TIN PLATE 0.00254[.000100] MIN THK PER ASTM-545	SIZE CAGE CODE DRAWING NO RESTRICTED TO	
CUSTOMER DRAWING		A2 00779 C=1958311	-
SCALE 2:1		SHEET 1 of 1	REV A1

D

C

B

A

D

C

B

A

1958311