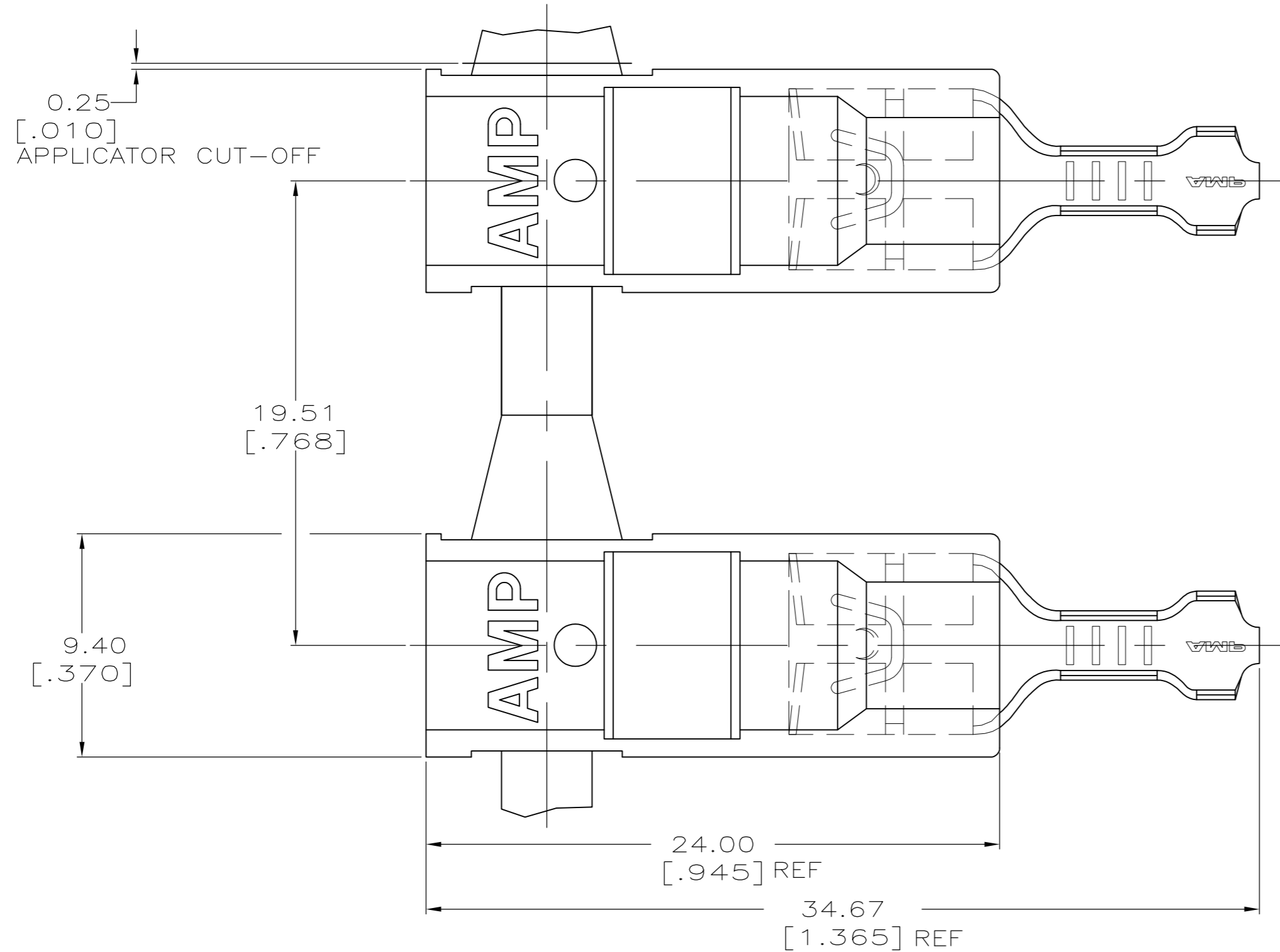
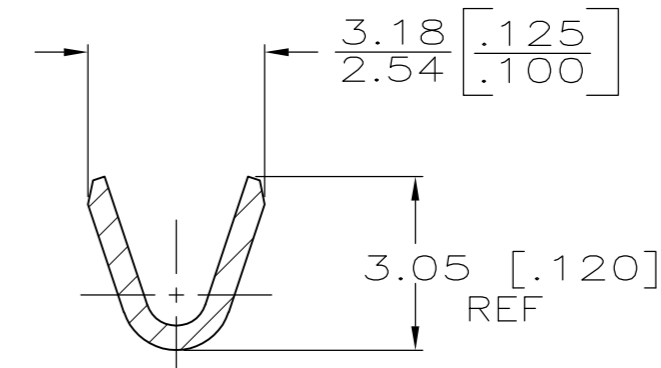


THIS DRAWING IS UNPUBLISHED. RELEASED FOR PUBLICATION  
 © COPYRIGHT - By - ALL RIGHTS RESERVED.

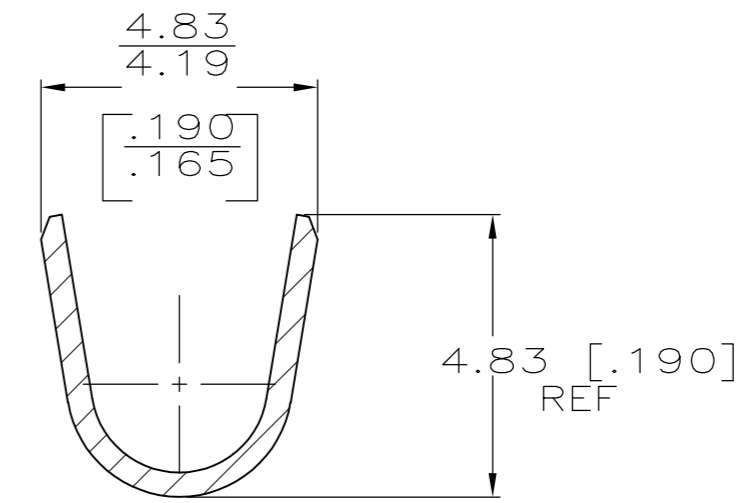
LOC		DIST		REVISIONS			
P	LTR	DESCRIPTION		DATE	DWN	APVD	
B1		REVISED PER ECR-18-002453		02MAR2018	BDA	DS	



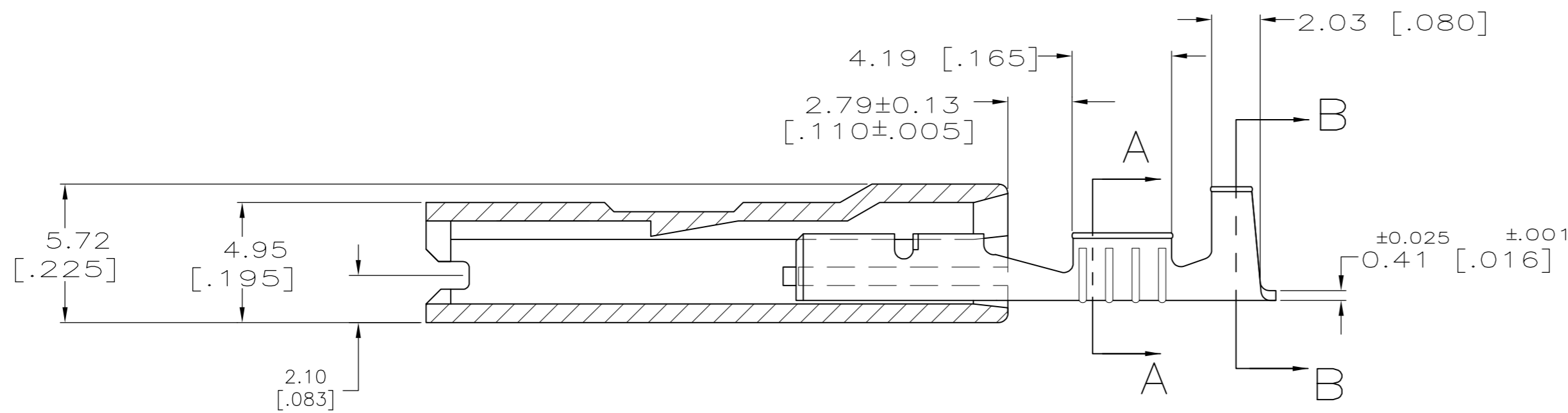
- 1 LOW-INSERTION FASTON TERMINALS, BASE PART NUMBER 2238027, ARE USED IN THIS PRODUCT.
- 2 OFFERED FOR CONSIDERATION IN APPLICATIONS REQUIRING "NON-DRIP" HOUSING MATERIAL.
- 3 PRE-PRODUCTION FASR REQUIRED.
- 4 WIRE SIZE: 0.3-0.8 mm<sup>2</sup> [22-18]
- 5 INSULATION RANGE: 2.29-3.30 [.090-.130]
- 6 MATING TAB THICK: 0.81±0.025[.032±.001]
- 7 GLOW WIRE APPROVED: CONTACT TE ENGINEERING FOR SPECIFICATION ( ALL WALL THICKNESS ARE BETWEEN 0.4 - 3.0 [.015-.118 ].
- 8 OBSOLETE PARTS



SECTION A-A  
SCALE 8:1



SECTION B-B  
SCALE 8:1



TIN PLATE	NATURAL, V2, WHITE	7 3	1969161-3
TIN PLATE	NYLON 66, V0	3	1969161-2
PLAIN	NATURAL ( WHITE)	8 3	1969161-1
TERMINAL FINISH	HOUSING		PART NO

THIS DRAWING IS A CONTROLLED DOCUMENT.		DWN	13OCT09	RAGHAVENDRA	
DIMENSIONS: mm [INCHES]		CHK	13OCT09	G PORTA	
TOLERANCES UNLESS OTHERWISE SPECIFIED:		APVD	13OCT09	G PORTA	
0 PLC	± -	PRODUCT SPEC		108-1285	
1 PLC	± -	APPLICATION SPEC		114-2124	
2 PLC	± 0.25 [.010]	WEIGHT		A2 00779	
3 PLC	± -	CUSTOMER DRAWING		SCALE 5:1	
4 PLC	± -	SHEET 1 OF 1		REV B1	
ANGLES	± -	FINISH		SEE TABLE	
MATERIAL	BRASS	NAME		ASSEMBLY, HOUSING & RECEPTACLE, 6.35 [.250] SERIES ULTRA-POD	
TE Connectivity		DRAWING NO		C=1969161	