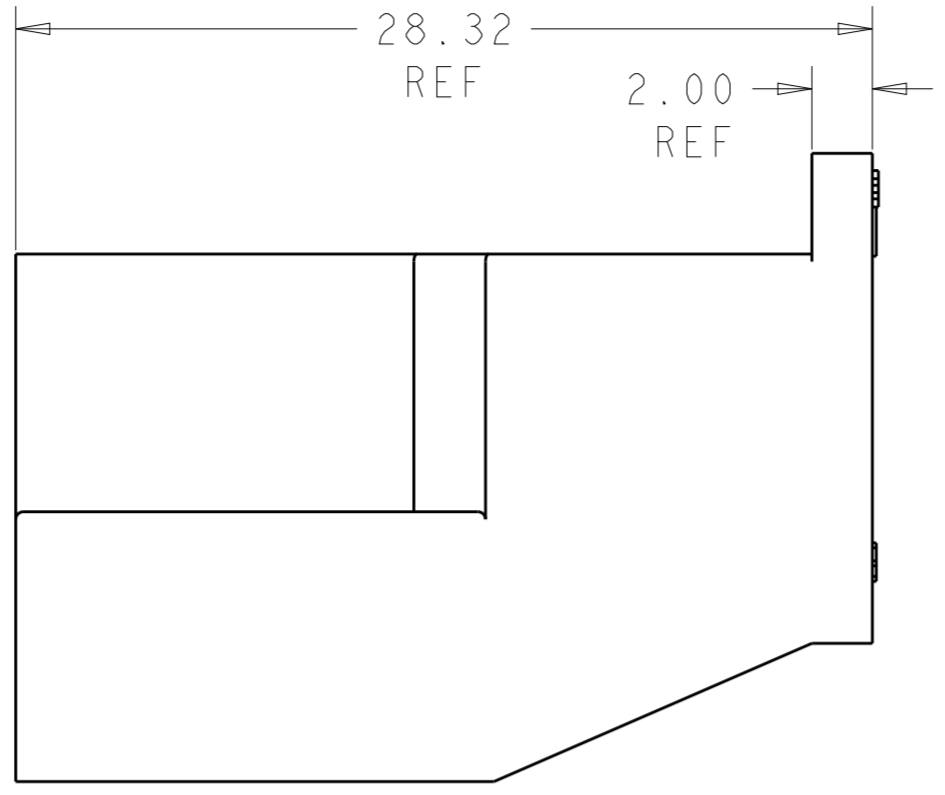


THIS DRAWING IS UNPUBLISHED. RELEASED FOR PUBLICATION 20
 © COPYRIGHT 20 BY - ALL RIGHTS RESERVED.

LOC		DIST		REVISIONS			
P	LTR	DESCRIPTION	DATE	DWN	APVD		
AF	50	C6	REVISED PER ECR-19-006609	02MAY2019	BDA	DS	

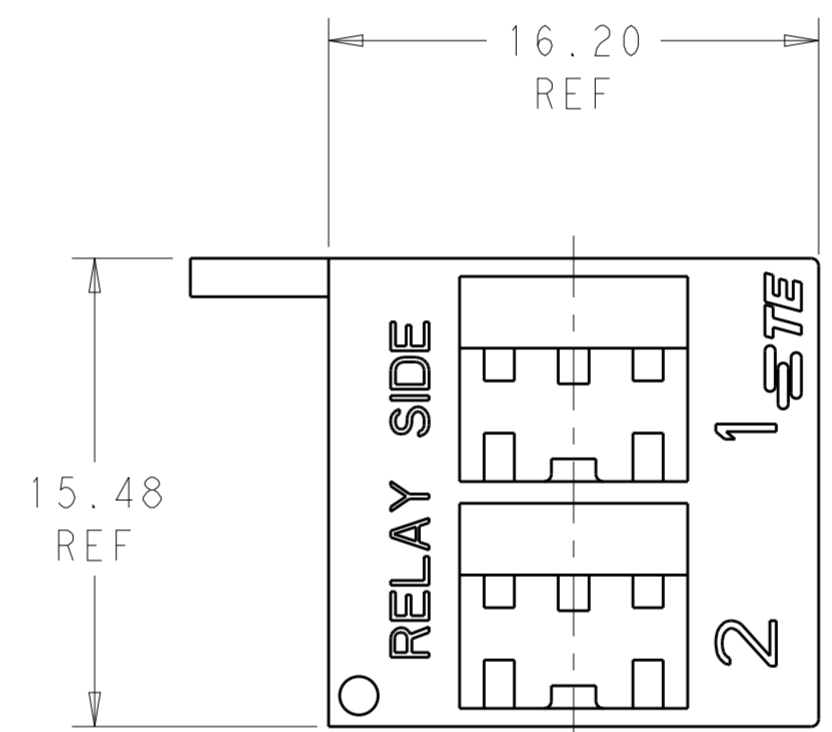
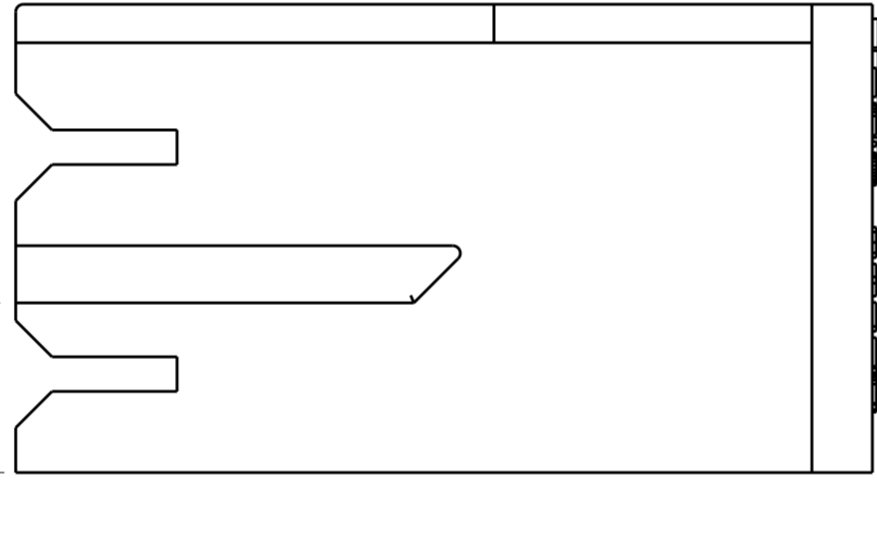
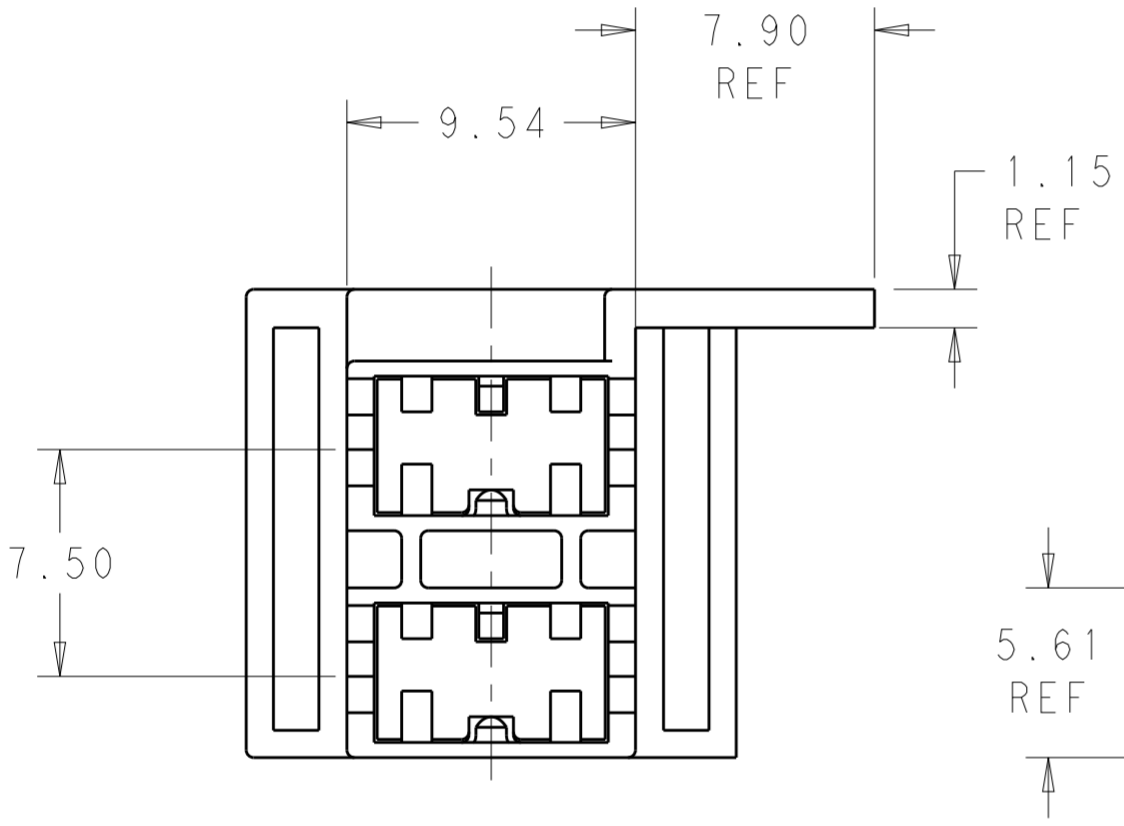


1 ACCEPTS RECEPTACLE CONTACTS 1-160759-1 (20-16) AWG, 154718-3 (18-14) AWG, 154717-3 (14-11) AWG.

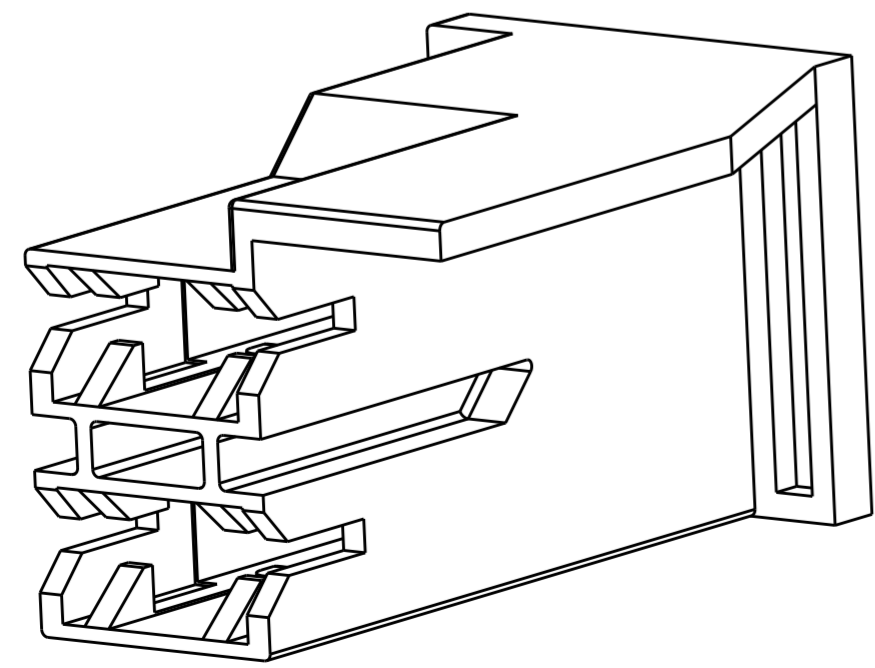
~~2 PREPRODUCTION ONLY - FASR REQUIRED.~~

3 DUE TO LIGHT PIGMENTATION, THE PARTS MAY HAVE SOME COLOR VARIATION/MARBLING.

4 PRELIMINARY- NOT FOR PRODUCTION



NYLON V0 GWT	BLACK	1-1969717-2
NYLON V0 GWT	NATURAL	1-1969717-1
NYLON V0	BLACK	1969717-6
NYLON V0	NATURAL	1969717-5
NYLON V0	GREEN Δ 3	Δ 4 1969717-4
NYLON V0	YELLOW Δ 3	1969717-3
MATERIAL	COLOR	PART NO.



THIS DRAWING IS A CONTROLLED DOCUMENT.

DIMENSIONS: mm	TOLERANCES UNLESS OTHERWISE SPECIFIED:	DWN B WAYNE 15JAN15	TE Connectivity HOUSING, RECEPTACLE, POSI-LOCK, 2 POSITION, 6.35 SERIES
	0 PLC ±	CHK DAVE HUMPHREY 15JAN15	
	1 PLC ±	APVD DAVE HUMPHREY 15JAN15	
	2 PLC ±0.25	PRODUCT SPEC	
MATERIAL	SEE TABLE	3 PLC ±	APPLICATION SPEC
	SEE TABLE	4 PLC ±	WEIGHT
		ANGLES ±	FINISH
		FINISH	SCALE 4:1
			SHEET 1 OF 1
			REV C6

SIZE A200779 CAGE CODE C-1969717