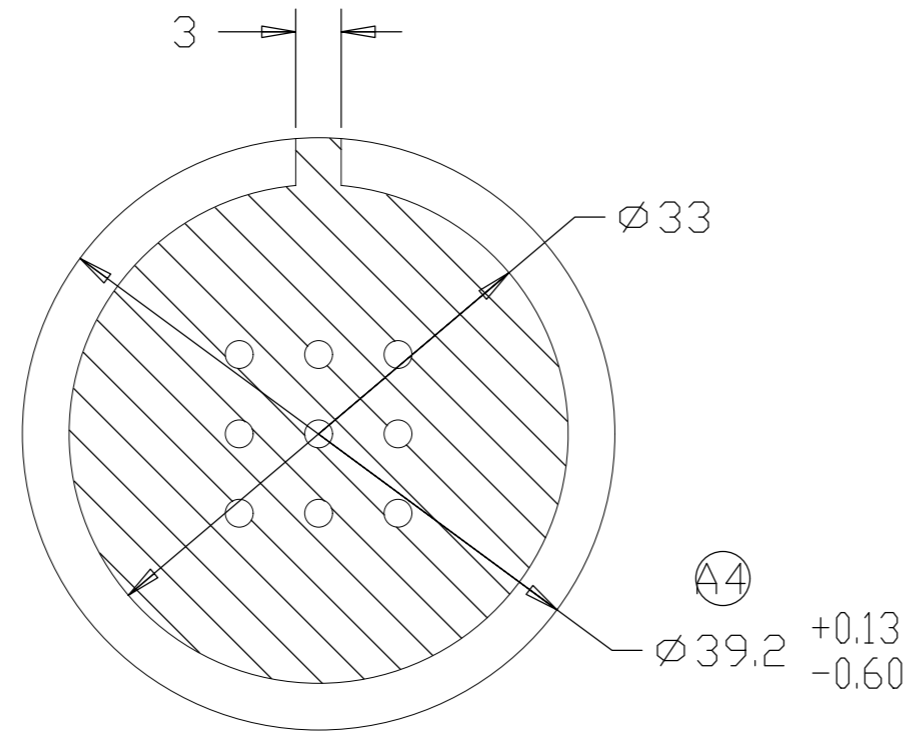
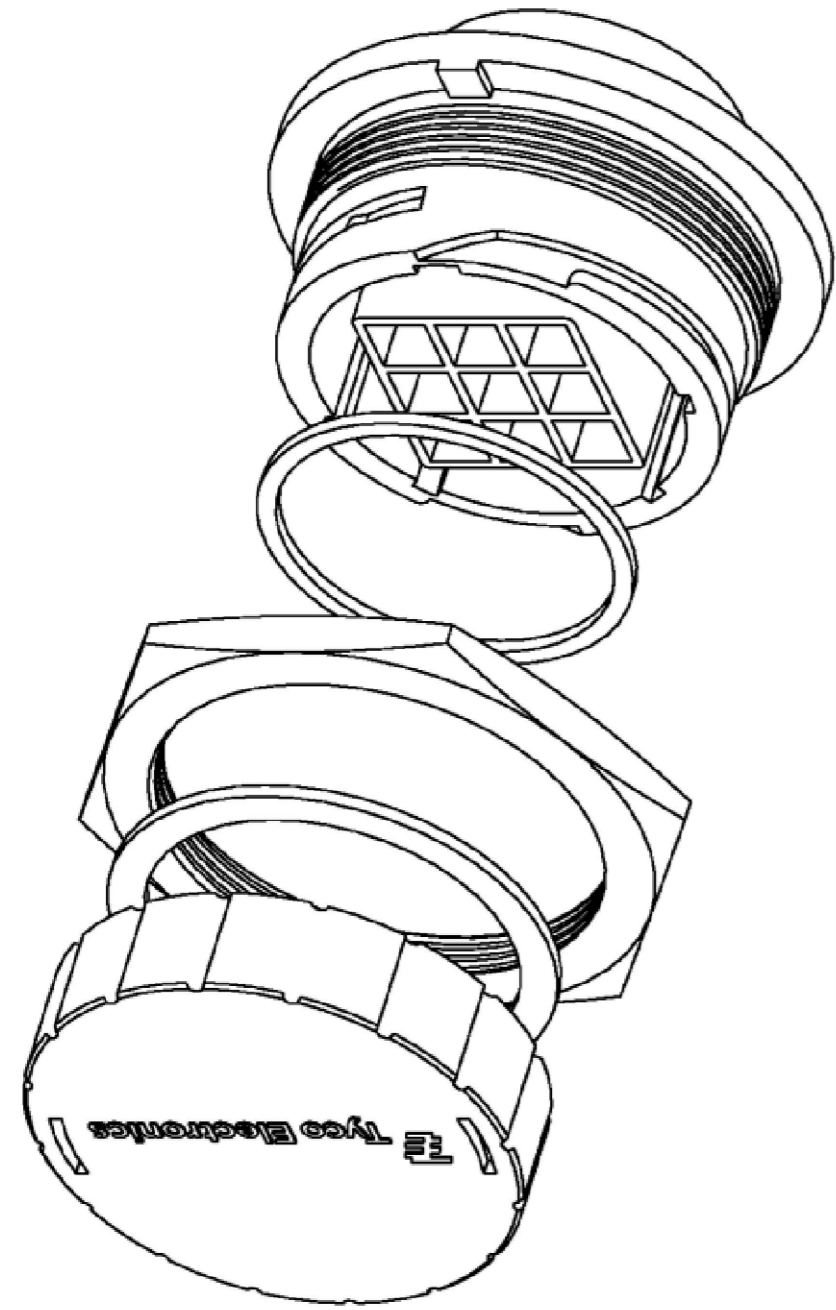
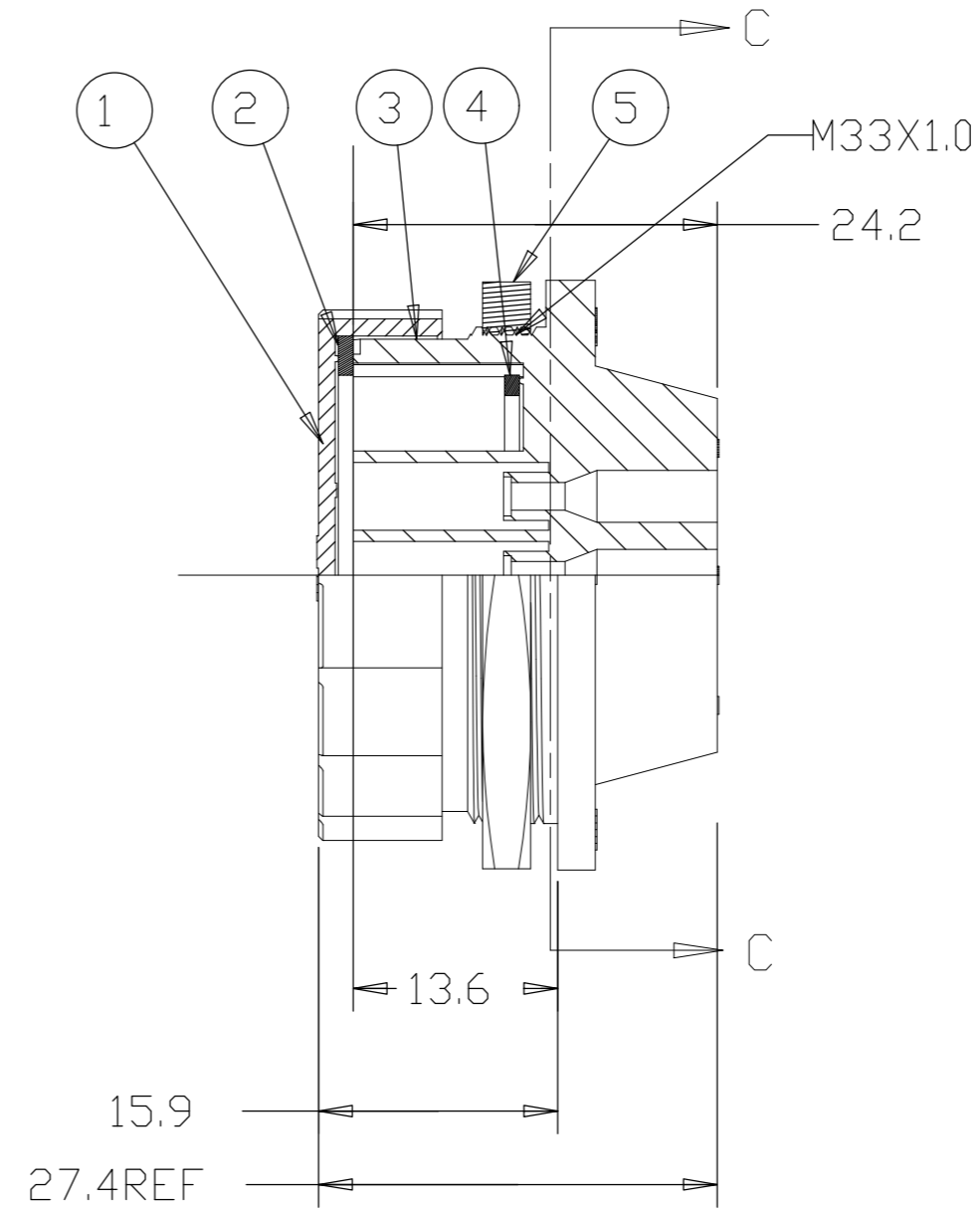


THIS DRAWING IS UNPUBLISHED. RELEASED FOR PUBLICATION 20  
 © COPYRIGHT 20 BY TYCO ELECTRONICS CORPORATION. ALL RIGHTS RESERVED.

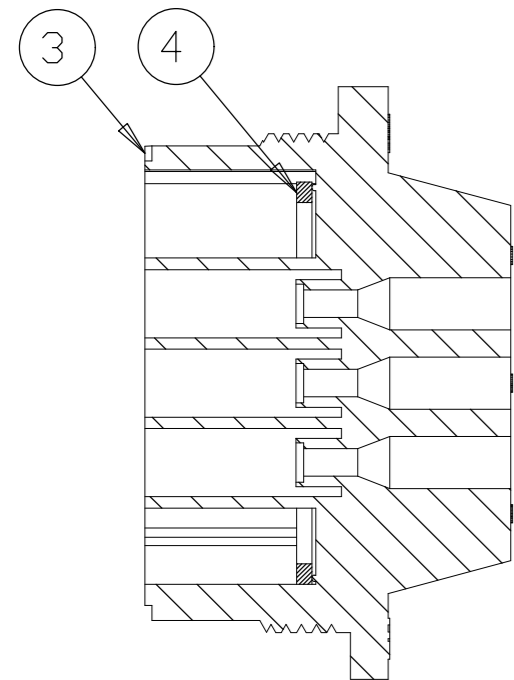
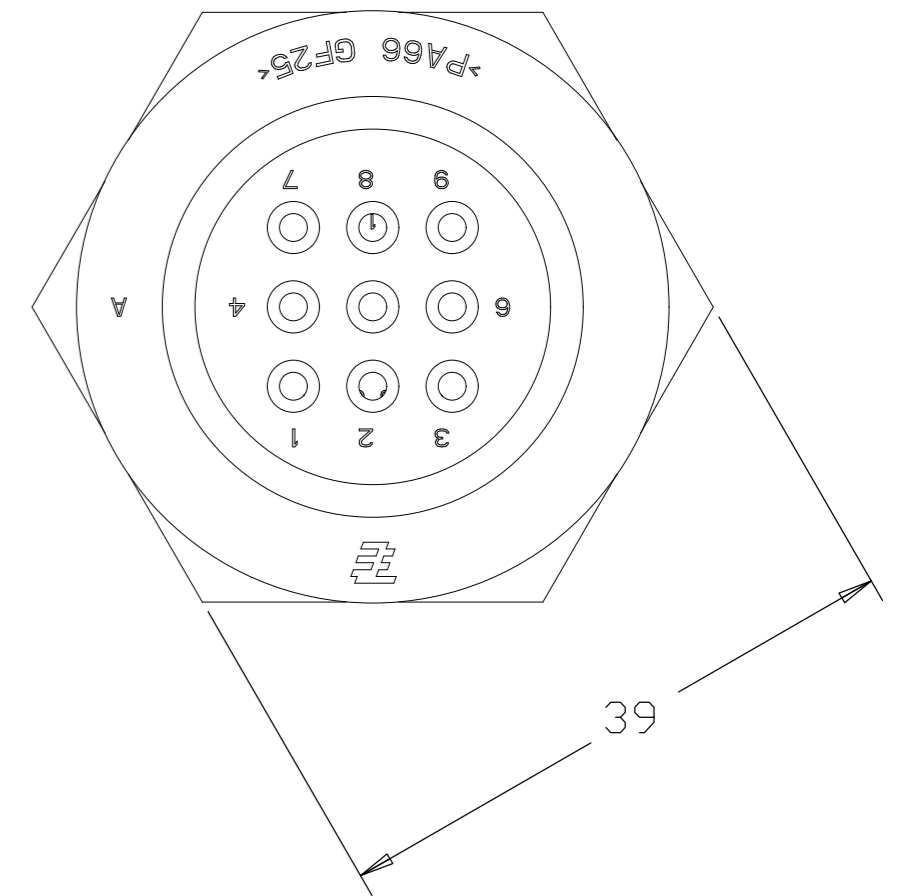
LOC		DIST		REVISIONS			
P	LTR	DESCRIPTION	DATE	DWN	APVD		
ES	00	B1	REVISED PER ECR-18-006208	28MAY2019	BDA	SG	



SECTION C-C

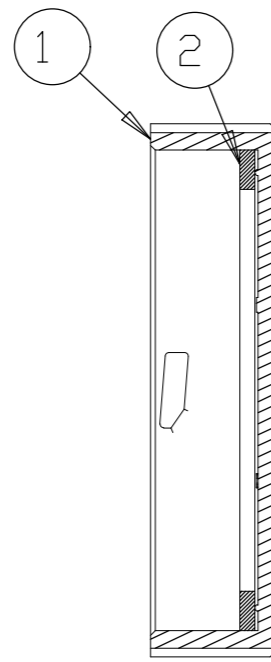


△ OBSOLETE PARTS



1971066-2 AS SHOWN

A3



1971066-3 AS SHOWN

A3

QUANTITY	DESCRIPTION	MATERIAL	ITEM No.
1	SCREW	PA66 GF25 UL94V0	5
1	SEALER	RUBBER	4
1	CAP HOUSING	PA66 GF25 UL94V0	3
1	COVER SEALER	RUBBER	2
1	COVER	PBT UL94V0	1
-4 -3 -2	1971066-1		

THIS DRAWING IS A CONTROLLED DOCUMENT FOR TYCO ELECTRONICS CORPORATION IT IS SUBJECT TO CHANGE AND THE CONTROLLING ENGINEERING ORGANIZATION SHOULD BE CONTACTED FOR THE LATEST REVISION.		DWN JOHN MA 29APR2007 CHK Sam Wu 04SEP2007 APVD Julian Zhou 04SEP2007 PRODUCT SPEC 108-106007 APPLICATION SPEC 114-16017	<b>STE</b> TE CONNECTIVITY			
DIMENSIONS: mm 		TOLERANCES UNLESS OTHERWISE SPECIFIED: 0 PLC ±- 1 PLC ±0.2 2 PLC ±0.2 3 PLC ±- 4 PLC ±- ANGLES ±- FINISH ±-		NAME CAP ASSY MINI UNIVERSAL MATE-N-LOK, CPC		
MATERIAL -		WEIGHT -	SIZE A2	CAGE CODE 00779	DRAWING NO C-1971066	RESTRICTED TO -
CUSTOMER DRAWING			SCALE 2:1	SHEET 1 OF 1	REV B1	