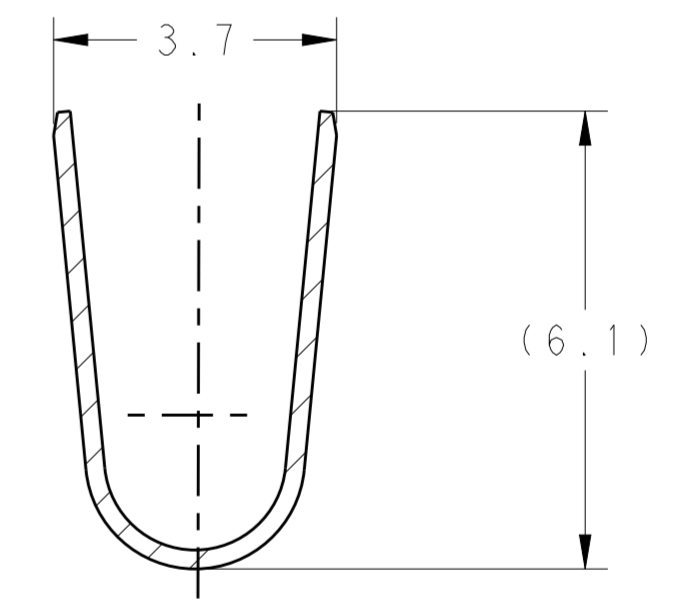
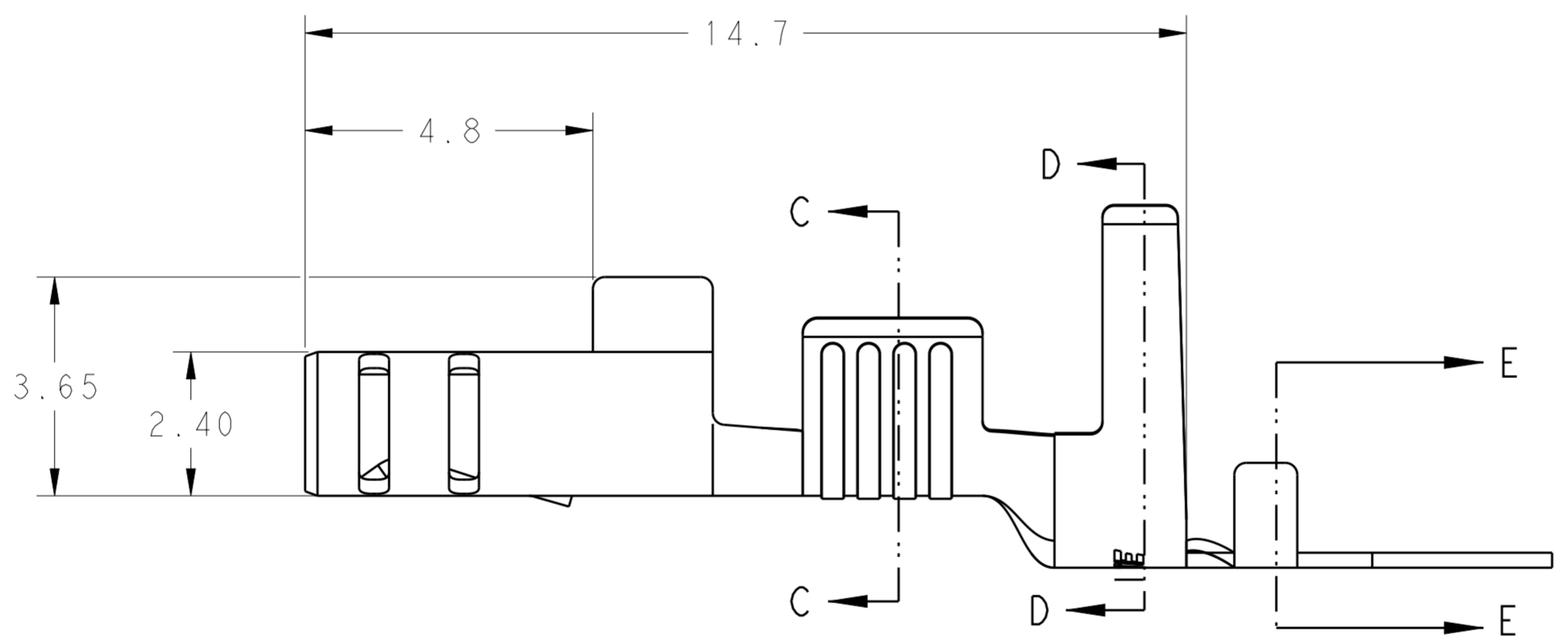
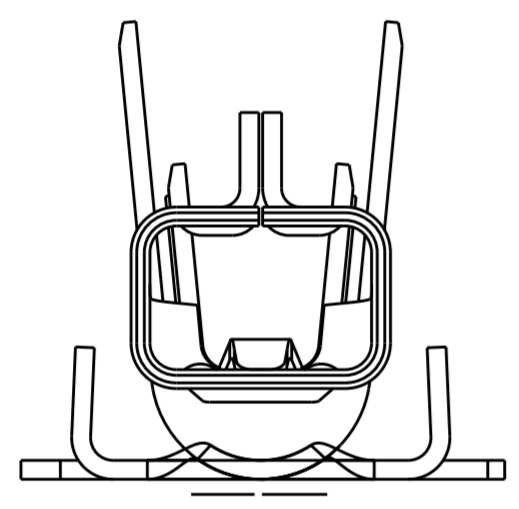
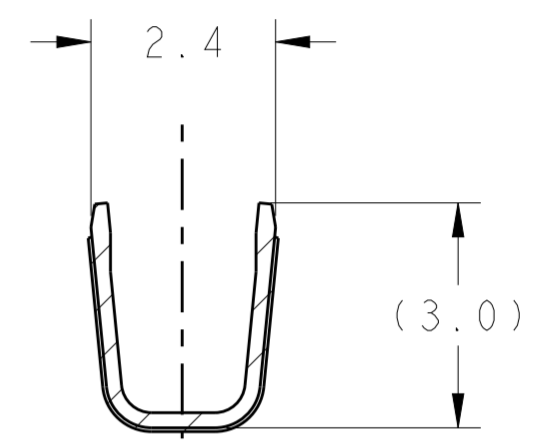
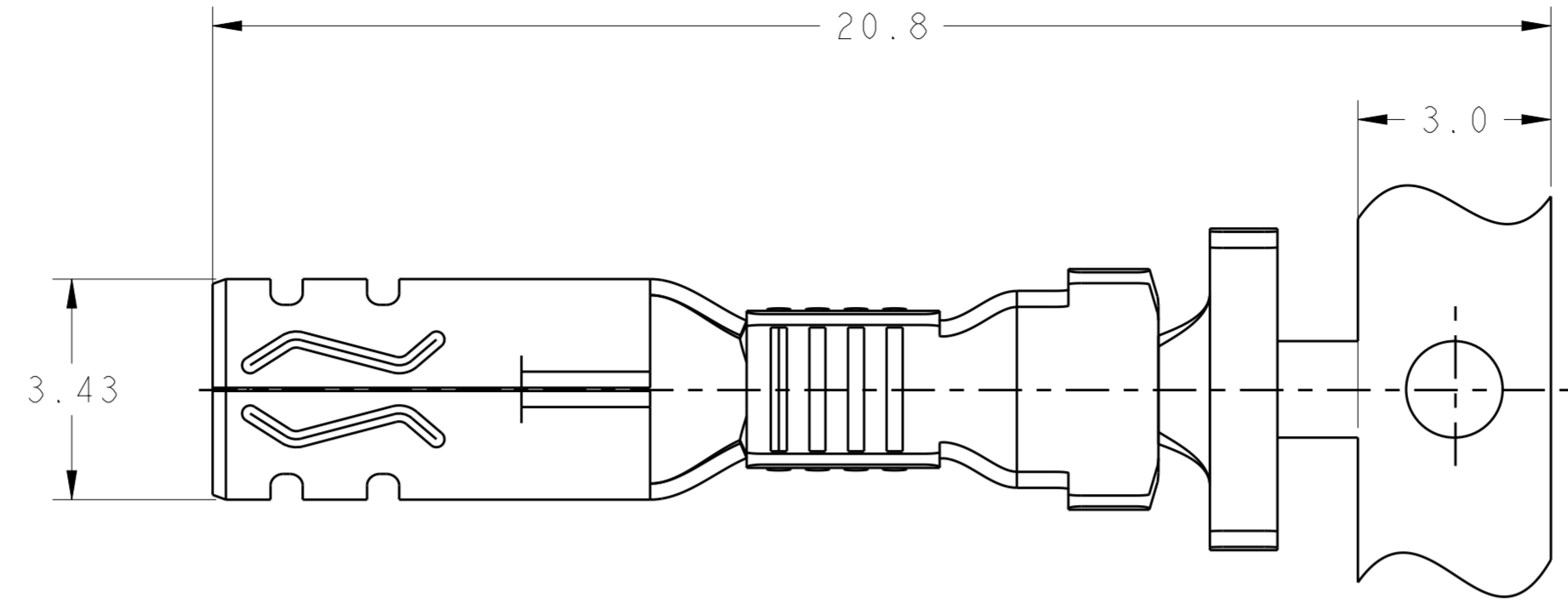
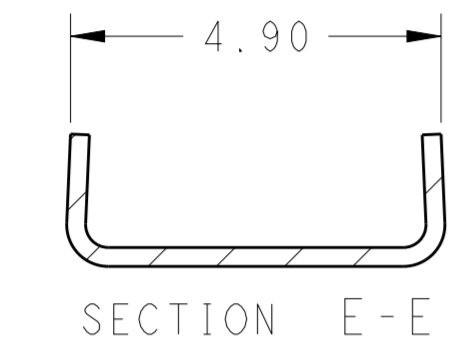
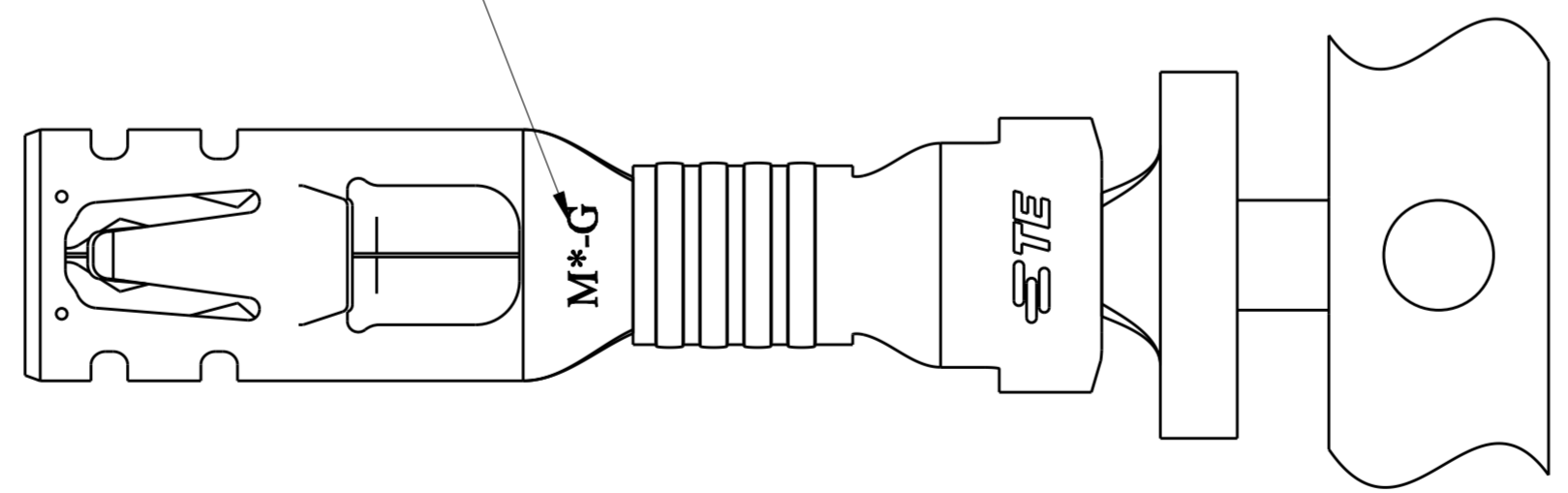


THIS DRAWING IS UNPUBLISHED. RELEASED FOR PUBLICATION 20  
 © COPYRIGHT 20 BY - ALL RIGHTS RESERVED.

LOC	DIST	REVISIONS					
ES	00	P	LTR	DESCRIPTION	DATE	DWN	APVD
		D		REVISED PER ECO-18-018731	30NOV2018	RS	GJ
		D1		REVISED PER ECO-19-006342	23APR2019	BKW	GJ



MATERIAL/SIZE MARK



1. MATERIAL: COPPER ALLOY,PRE TIN PLATING.
2. RECOMMENDED WIRE RANGE: 2x20 AWG, 1x18+1x22 AWG (TOTAL CMA 2000-2620) COPPER STRANDED
3. APPLICABLE INSULATION DIAMETER: 2.2-2.8 MM EACH WIRE
4. APPLICABLE MATED PLUG HOUSING P/N:  
 \*-1971773-\*/\*-1971776-\*/\*-1971876-\*/  
 /\*-2232265-\*/\*-2232266-\*/\*-2232357-\*

5. THIS PRODUCT HAS NOT COMPLETED VALIDATION TESTING.

- SUPERSEDED BY 1971237-2
- WIRE SIZE INDICATOR "G" = 2x20 AWG, 1x18+1x22 AWG

	HIGH(150°C)	M0-G	1971237-2
	STANDARD(105°C)	M4	1971237-1
	TEMP. RATING	MAT/SIZE MARK	PART NO

THIS DRAWING IS A CONTROLLED DOCUMENT.

DIMENSIONS:	TOLERANCES UNLESS OTHERWISE SPECIFIED:	DWN TOMMY WU 9AUG2012	TE Connectivity NAME RECEPTACLE CONTACT POWER TRIPLE LOCK SIZE CAGE CODE DRAWING NO RESTRICTED TO A2100779 C-1971237 SCALE 5:1 SHEET 1 OF 1 REV D1
mm	0 PLC ±	CHK HAPYE WU 9AUG2012	
	1 PLC ±0.5	APVD YUHHONG MAO 9AUG2012	
	2 PLC ±0.30	PRODUCT SPEC 108-106118	
	3 PLC ±	APPLICATION SPEC 114-106118	
	4 PLC ±	WEIGHT -	
MATERIAL	FINISH	Customer Drawing	