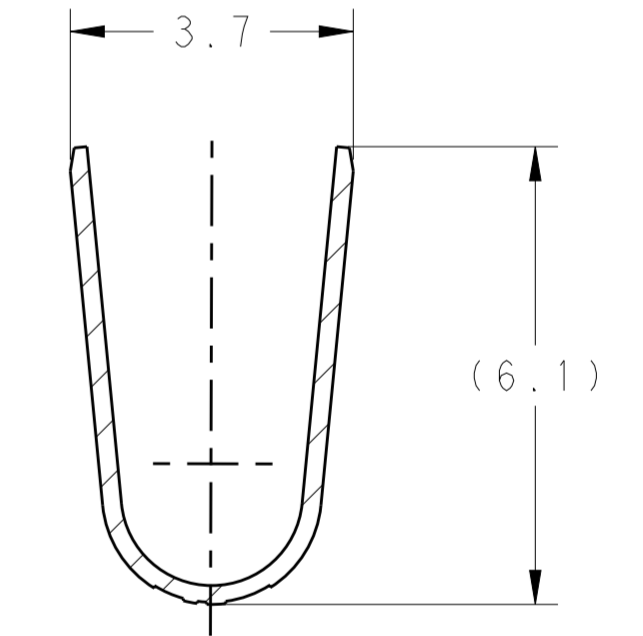
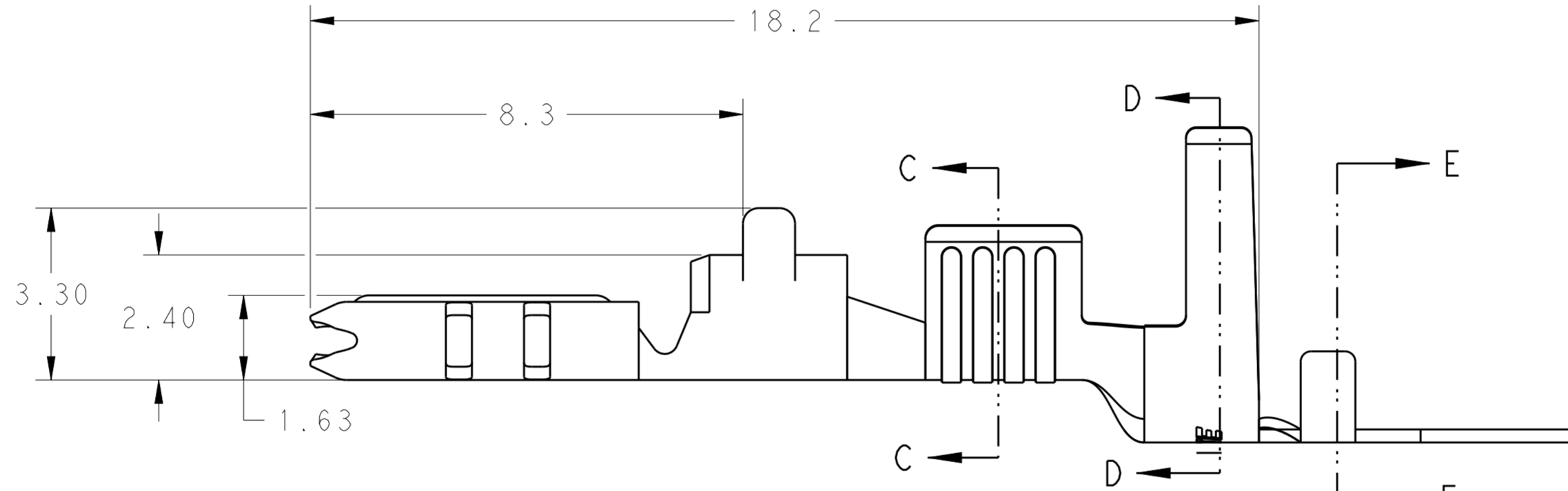
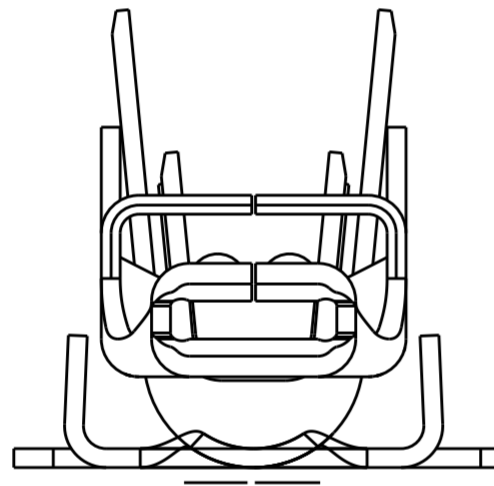
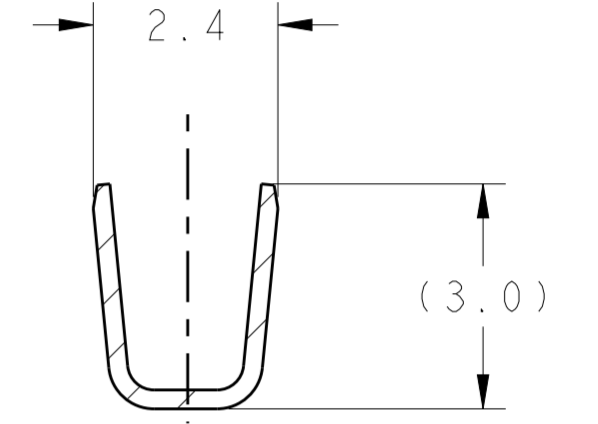
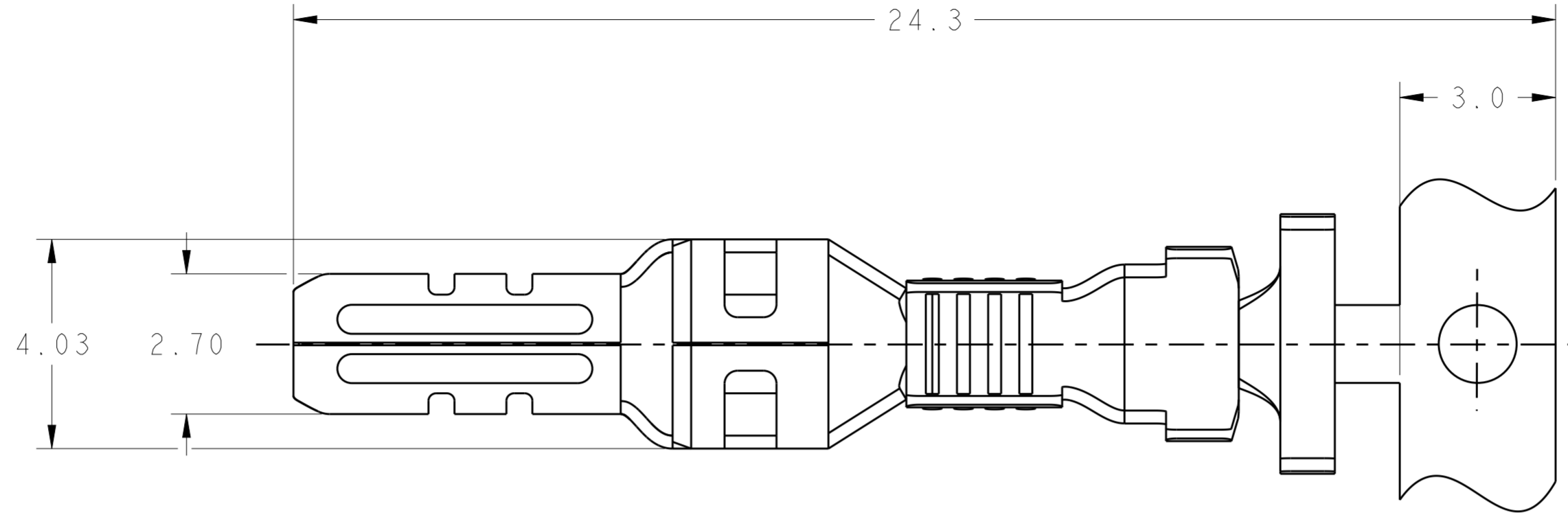
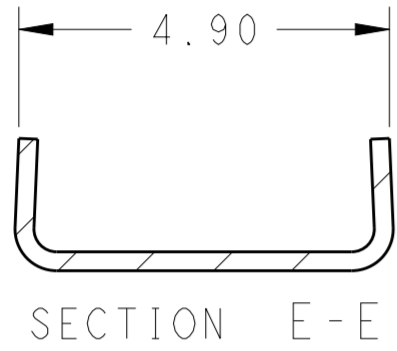
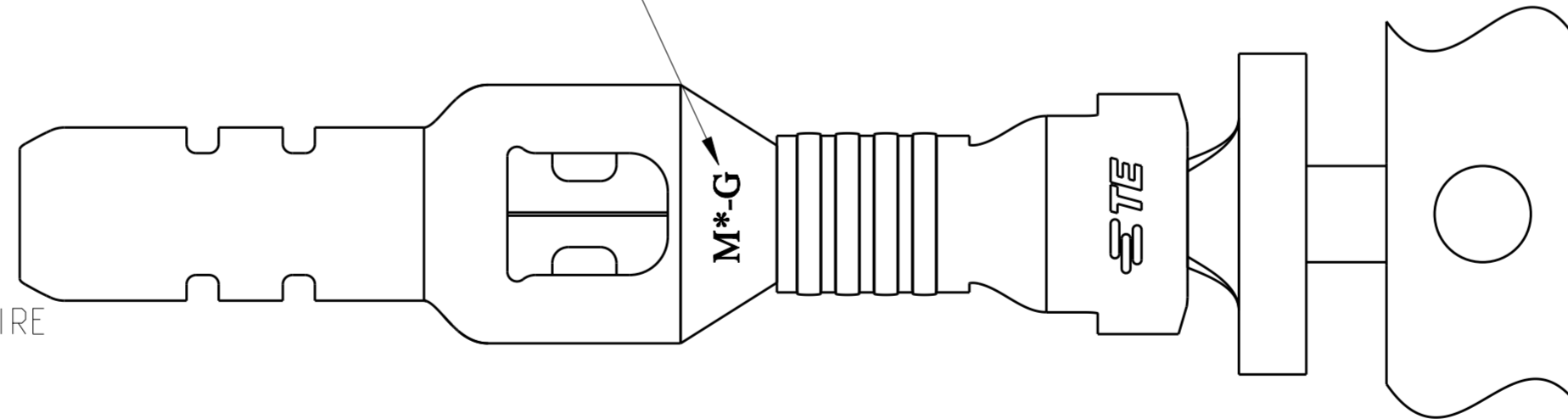


THIS DRAWING IS UNPUBLISHED. RELEASED FOR PUBLICATION 20  
 © COPYRIGHT 20 BY - ALL RIGHTS RESERVED.

LOC	DIST	REVISIONS					
ES	00	P	LTR	DESCRIPTION	DATE	DWN	APVD
		C2		REVISED PER ECR-16-017426	19DEC2016	BW	RS
		D		REVISED PER ECR-18-003963	05SEP2018	BKW	GJ
		D1		REVOSED PER ECR-18-015112	01OCT2018	BDA	GJ
		D2		REVISED PER ECO-19-006342	23APR2019	BKW	GJ



5 MATERIAL/SIZE MARK



- 1 MATERIAL: COPPER ALLOY, PRE TIN PLATING
- 2 RECOMMENDED WIRE RANGE: 2x20 AWG, 1x18+1x22 AWG (TOTAL CMA 2000 ~ 2620) COPPER STRANDED
- 3 APPLICABLE INSULATION DIAMETER: 2.2 ~ 2.8 mm EACH WIRE
- 4 APPLICABLE MATED CAP HOUSING P/N:  
 \*-1971772-\*/\*-1971775-\*/\*-1971875-\*/  
 \*-2232263-\*/\*-2232264-\*/\*-2232356-\*

5 WIRE SIZE INDICATOR "G"=2x20 AWG, 1x18+1x22 AWG

6. This product has not completed validation testing.

SUPERSEDED BY 1971238-2

HIGH(150°C)	M0-G	1971238-2
STANDARD(105°C)	M4	1971238-1
TEMP. RATING	MATERIAL / SIZE MARK 5	PART NO

THIS DRAWING IS A CONTROLLED DOCUMENT.		DWN TOMMY WU 9AUG2012	<b>STE</b> TE Connectivity	
DIMENSIONS: mm		CHK HAPYE WU 9AUG2012		
TOLERANCES UNLESS OTHERWISE SPECIFIED:		APVD YUJHONG MAO 9AUG2012	NAME	
0 PLC	±0.5	PRODUCT SPEC	108-106118	
1 PLC	±0.30	APPLICATION SPEC	114-106118	
2 PLC	±	WEIGHT	-	
3 PLC	±	Customer Drawing	SCALE 5:1	SHEET 1 OF 1
4 PLC	±			REV D2
ANGLES	±			
FINISH				