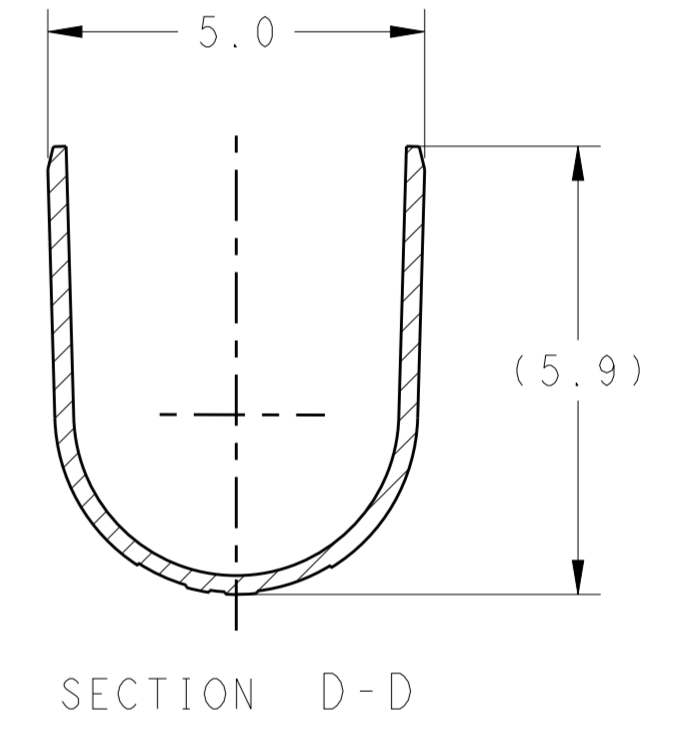
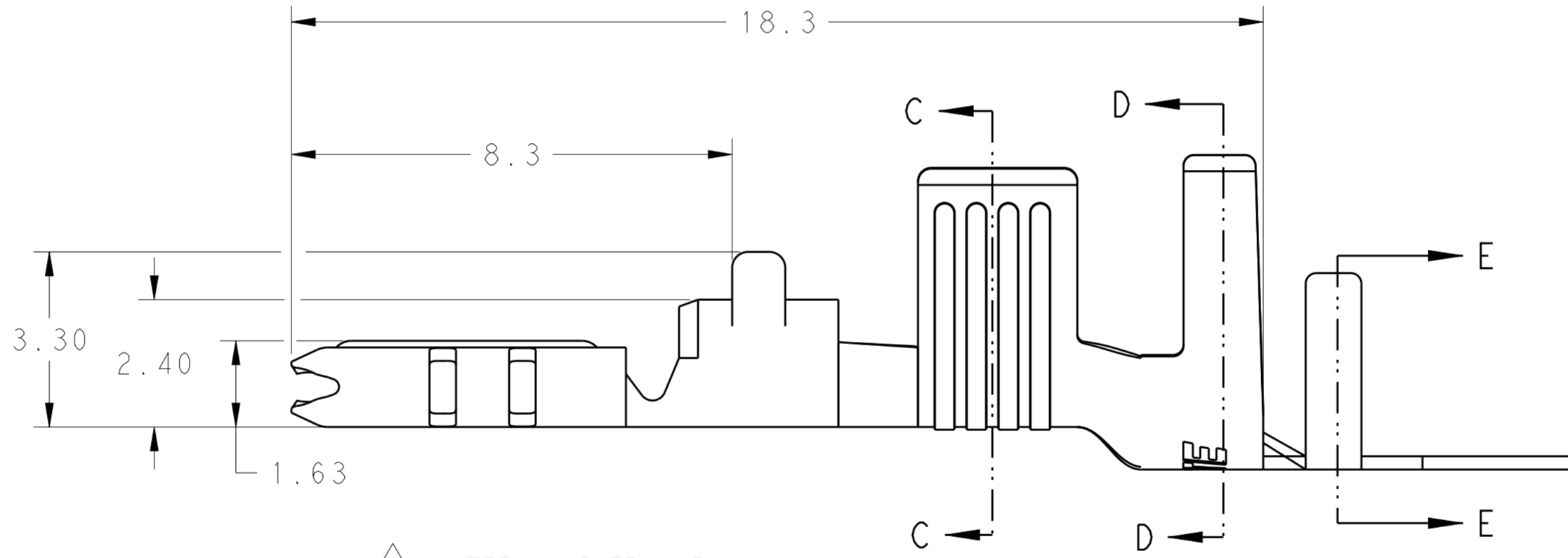
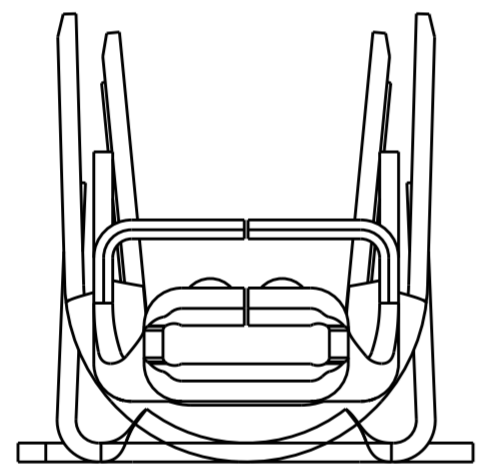
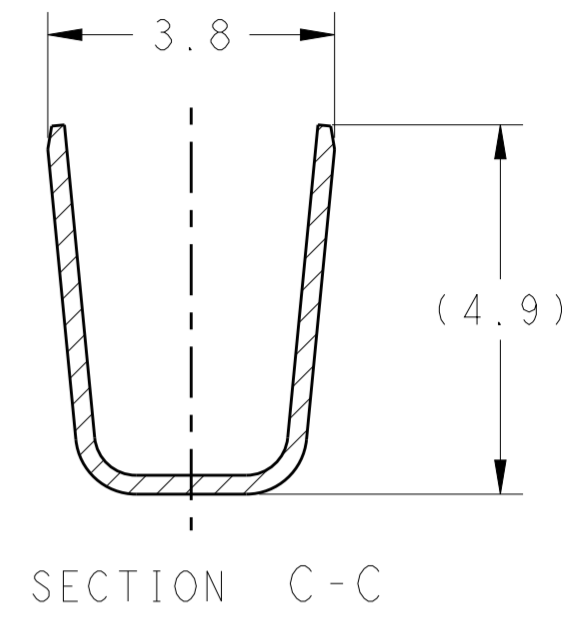
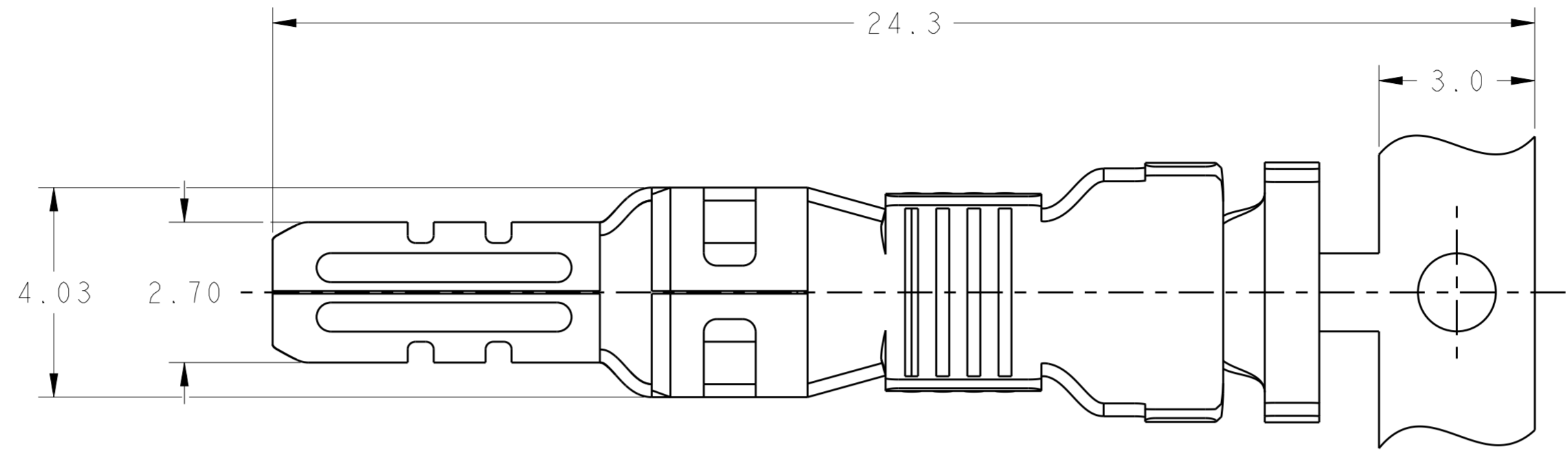
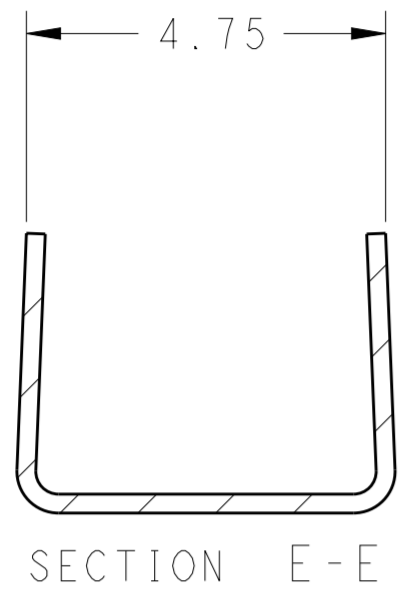
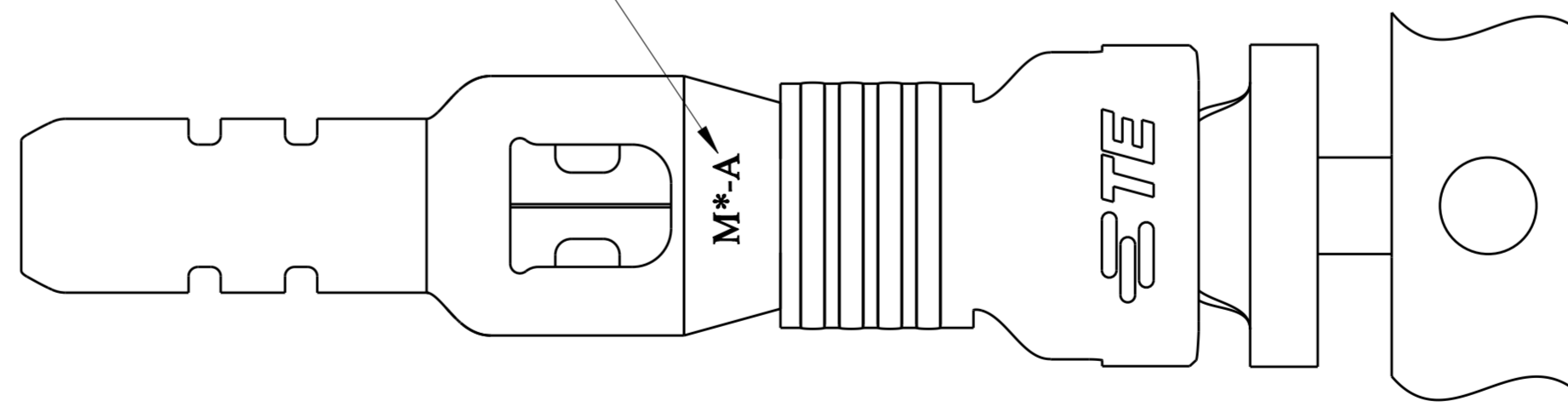


THIS DRAWING IS UNPUBLISHED. RELEASED FOR PUBLICATION 20
 © COPYRIGHT 20 BY - ALL RIGHTS RESERVED.

LOC	DIST	REVISIONS			
P	LTR	DESCRIPTION	DATE	DWN	APVD
ES	00				
	C1	REVISED PER ECO-16-016321	14NOV2016	RS	GJ
	E	REVISED PER ECO-17-018674	05APR2018	BKW	GJ



5 MATERIAL/SIZE MARK



- 1 MATERIAL: COPPER ALLOY, PRE TIN PLATING
- 2 APPLICABLE WIRE: 12AWG COPPER STRANDED
- 3 APPLICABLE INSULATION DIAMETER: 3.85~4.25mm
- 4 APPLICABLE MATED CAP HOUSING P/N:
 -1971771-/*-1971774-*/*-1971874-*/
 -1971772-/*-1971775-*/*-1971875-*/
 -2232263-/*-2232264-*/*-2232356-*/
 -2232358-/*-2232359-*/*-2232360-*

5 WIRE SIZE INDICATOR. "A" = 12AWG

6 This product has not completed validation testing.

HIGH(150°C)	M0	1971780-2
STANDARD(105°C)	M4	1971780-1
TEMP. RATING	MATERIAL MARK	PART NO

THIS DRAWING IS A CONTROLLED DOCUMENT.

DIMENSIONS:	TOLERANCES UNLESS OTHERWISE SPECIFIED:	DWN TOMMY WU 11JUL2011	TE Connectivity TAB CONTACT POWER TRIPLE LOCK
mm	0 PLC ±0.5	CHK HAPYE WU 11JUL2011	
	1 PLC ±0.30	APVD YUHONG MAO 11JUL2011	
	2 PLC ±	PRODUCT SPEC 108-106118	
MATERIAL	3 PLC ±	APPLICATION SPEC 114-106118	SIZE CAGE CODE DRAWING NO
	4 PLC ±	WEIGHT -	A200779 C-1971780
	ANGLES ±	Customer Drawing	RESTRICTED TO
	FINISH ±	SCALE 5:1	SHEET 1 OF 1 REV E