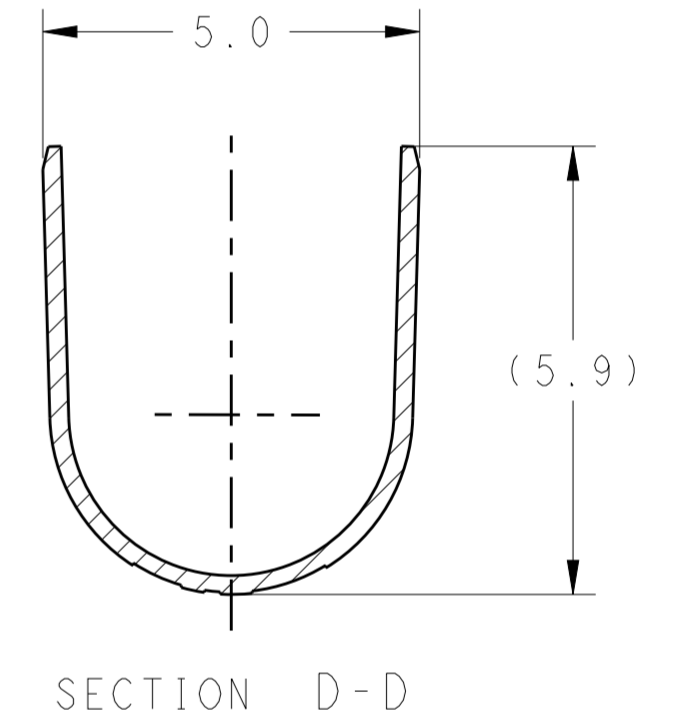
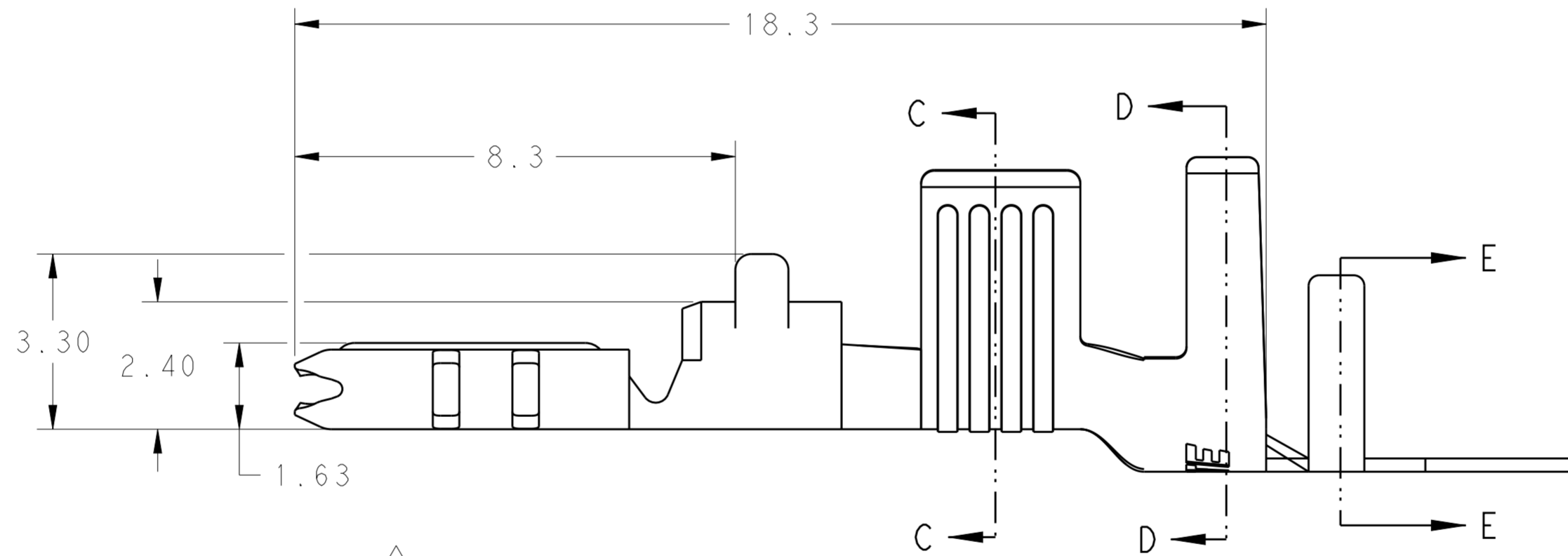
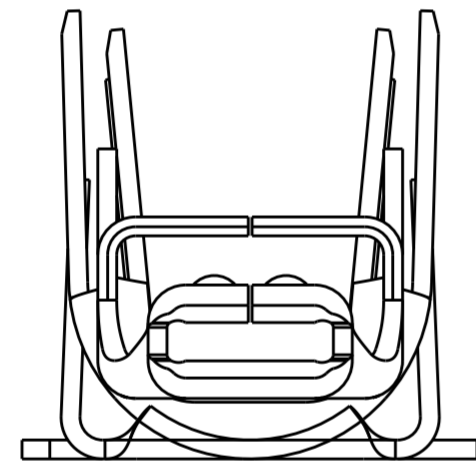
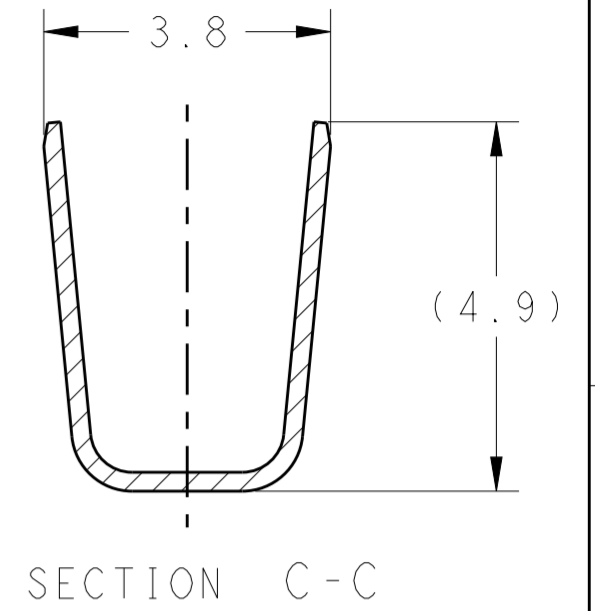
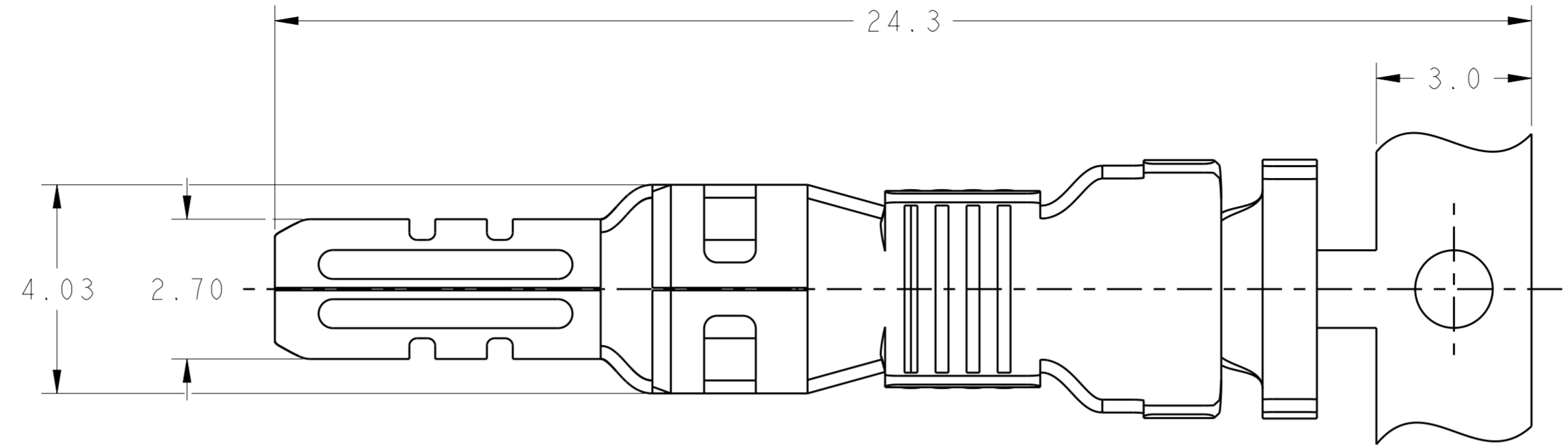
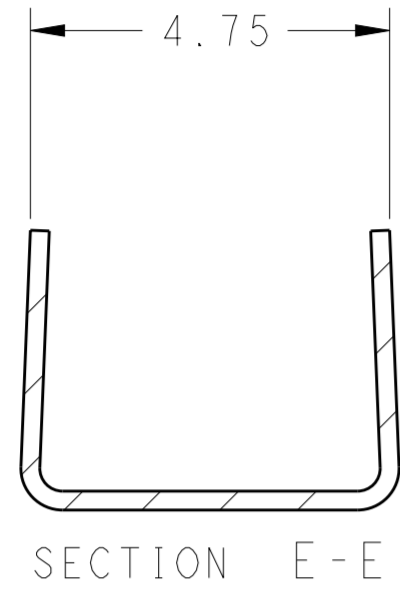
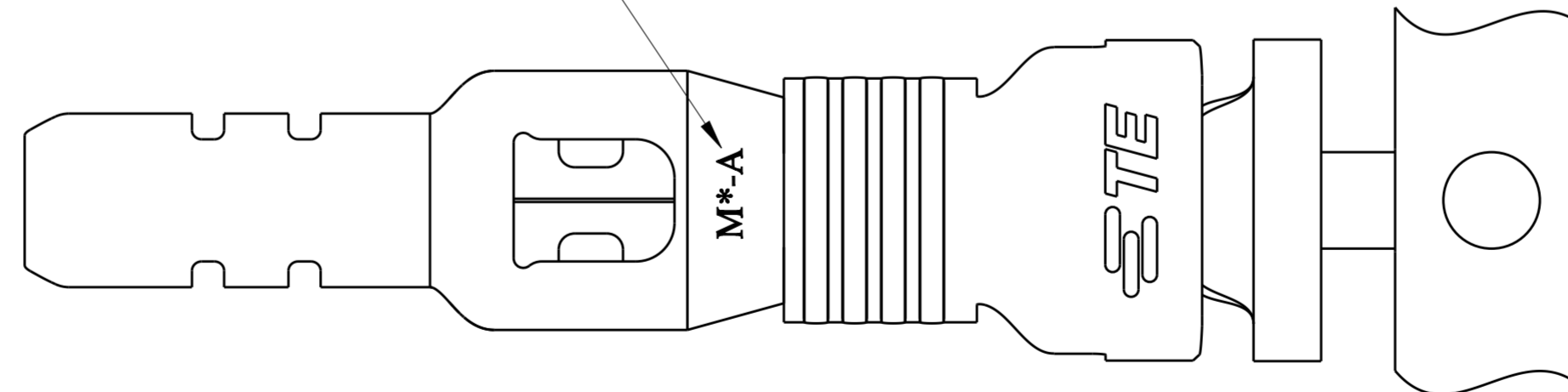


THIS DRAWING IS UNPUBLISHED. RELEASED FOR PUBLICATION 20  
 © COPYRIGHT 20 BY - ALL RIGHTS RESERVED.

LOC	DIST	REVISIONS			
P	LTR	DESCRIPTION	DATE	DWN	APVD
ES	00				
	E1	REVISED PER ECO-18-005449	22AUG2018	RS	GJ
	E2	REVISED PER ECR-18-015112	01OCT2018	BDA	GJ



5 MATERIAL/SIZE MARK



- 1 MATERIAL: COPPER ALLOY, PRE TIN PLATING
- 2 RECOMMENDED WIRE RANGE: 12AWG COPPER STRANDED (6300 ~ 7700 CMA)
- 3 APPLICABLE INSULATION DIAMETER: 3.85~4.57mm
- 4 RECOMMENDED CAP HOUSING P/N:  
 \*-1971772-\*/\*-1971775-\*/\*-1971875-\*/  
 \*-2232263-\*/\*-2232264-\*/\*-2232356-\*

5 WIRE SIZE INDICATOR. "A" = 12AWG

6 This product has not completed validation testing.

7 SUPERSEDED BY 1971780-2

HIGH(150°C)	M0-A	1971780-2
STANDARD(105°C)	M4	1971780-1
TEMP. RATING	MATERIAL/SIZE MARK 5	PART NO

THIS DRAWING IS A CONTROLLED DOCUMENT.		DWN TOMMY WU 11JUL2011	TE Connectivity	
DIMENSIONS: mm		CHK HAPYE WU 11JUL2011		
TOLERANCES UNLESS OTHERWISE SPECIFIED:		APVD YUHONG MAO 11JUL2011	NAME	
0 PLC	±	PRODUCT SPEC	TAB CONTACT POWER TRIPLE LOCK	
1 PLC	±0.5	APPLICATION SPEC	SIZE	CAGE CODE
2 PLC	±0.30	114-106118	A200779	C-1971780
3 PLC	±	114-106118	DRAWING NO	RESTRICTED TO
4 PLC	±	WEIGHT		
ANGLES	±	Customer Drawing	SCALE 5:1	SHEET 1 OF 1
FINISH	±			REV E2