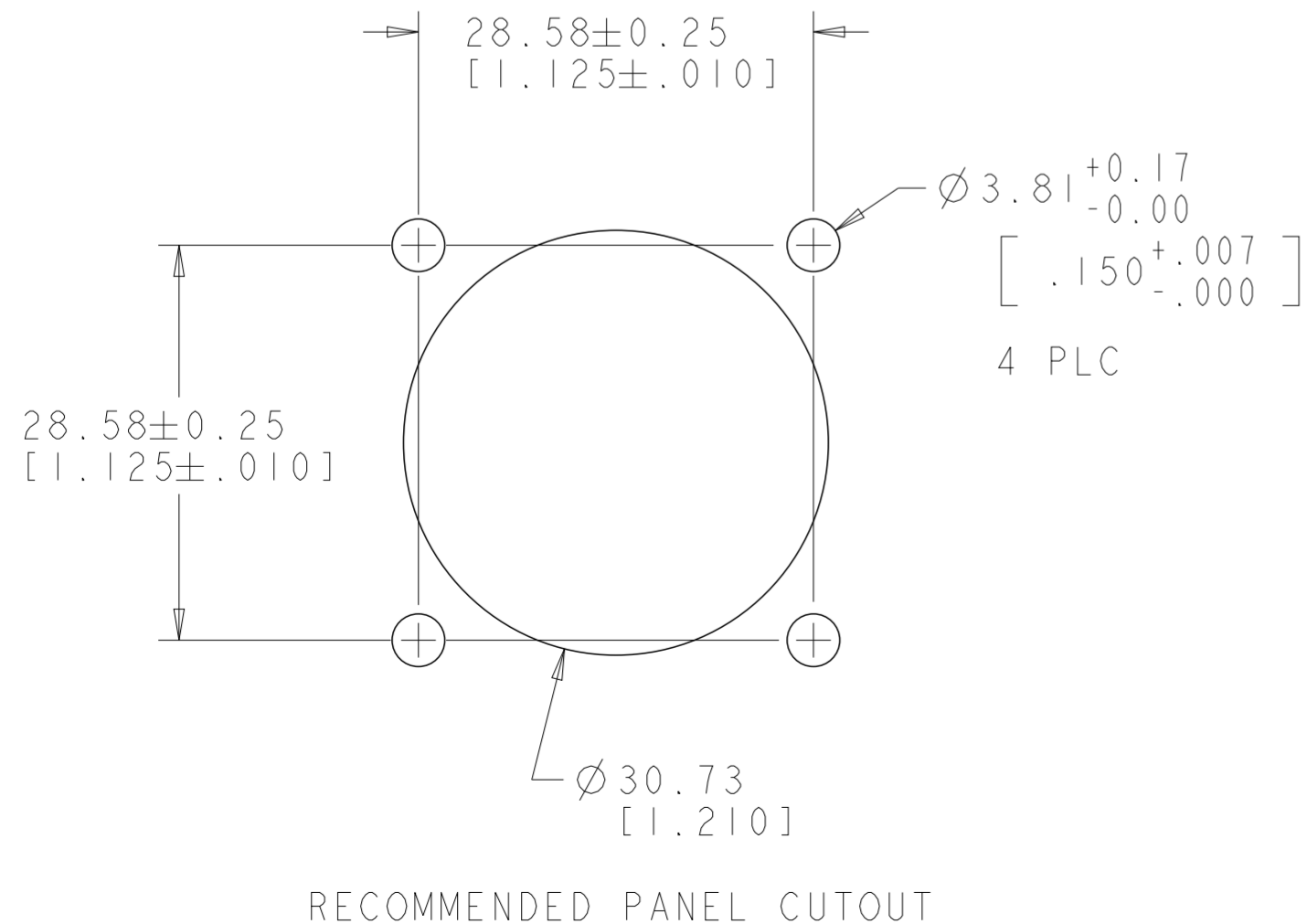
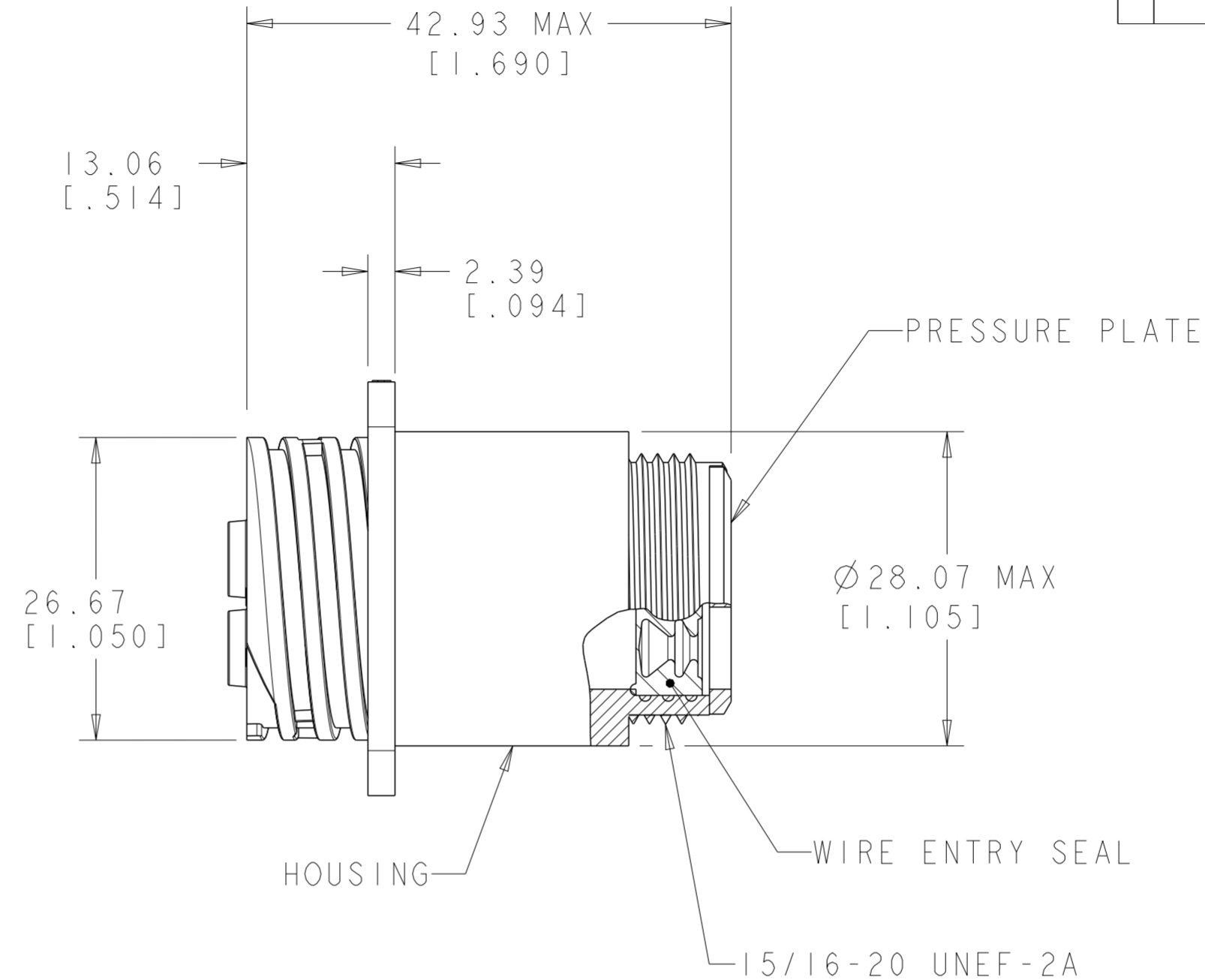
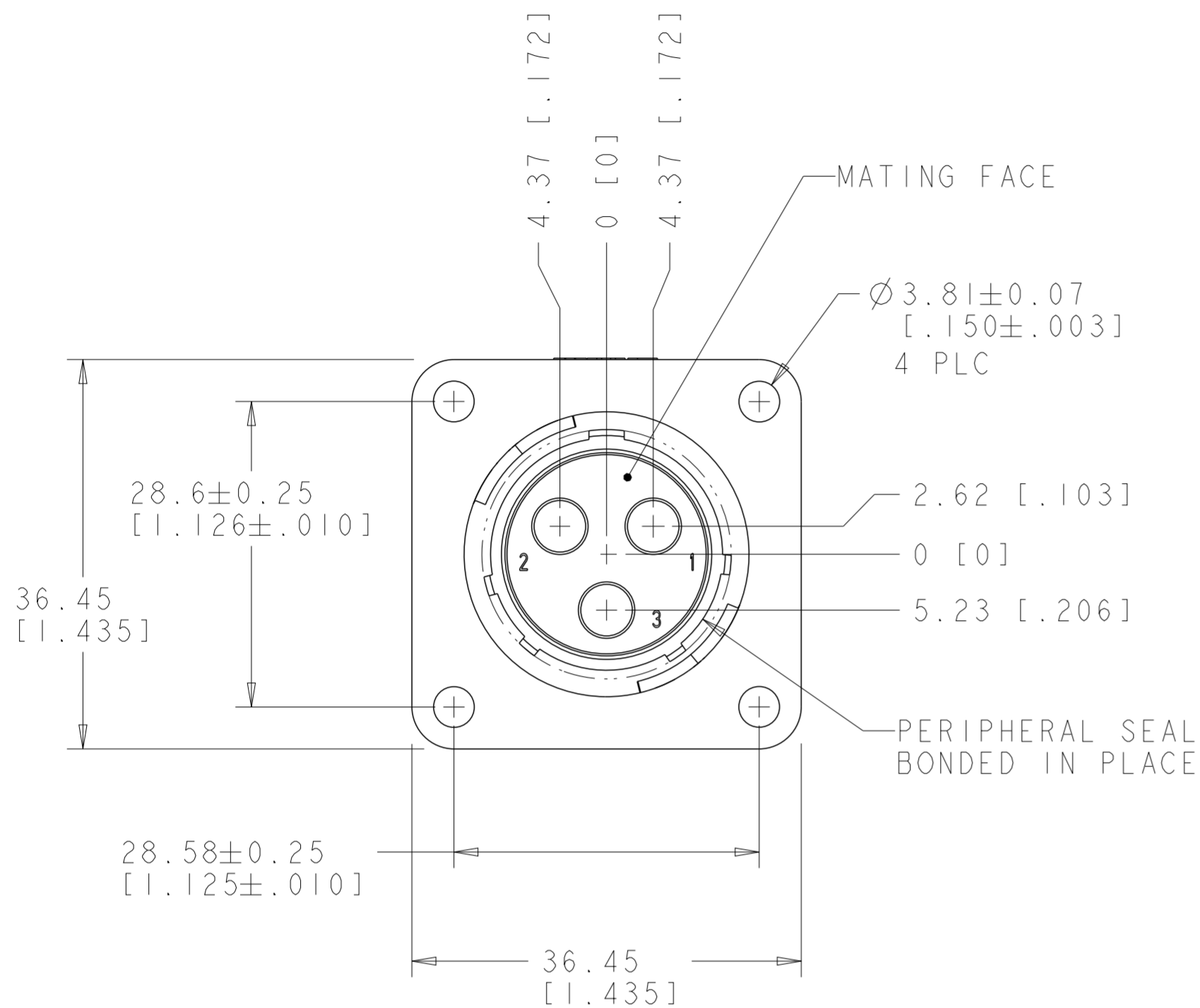


P	LTR	DESCRIPTION	DATE	DWN	APVD
A		NEW DRAWING PER ECO-12-018480	08NOV2012	KH	MZ
B		REVISED PER ECO-19-011232	07AUG2019	RS	MZ



- ⚠ HOUSING & PRESSURE PLATE: NYLON, BLACK.
WIRE ENTRY SEAL: ELASTOMER, RED-IRON OXIDE.
PERIPHERAL SEAL: ELASTOMER, BLACK.
- 2. CONNECTOR WILL ACCEPT (3) POWER SOCKET CONTACTS.

2.41-5.21 [.095-.205]	1977888-1
INSULATION RANGE	PART NUMBER

THIS DRAWING IS A CONTROLLED DOCUMENT.		DWN KIRAN HOLAJI 08NOV2012	TE Connectivity	
DIMENSIONS: mm [INCHES]		CHK M. ZITTO 08NOV2012		
TOLERANCES UNLESS OTHERWISE SPECIFIED:		APVD M. ZITTO 08NOV2012	NAME CPC SQUARE FLANGE RECEPTACLE ASSEMBLY, SERIES 5, SEALED, 17-3, REVERSE SEX UV RESISTANT	
0 PLC ±	1 PLC ±	PRODUCT SPEC 108-1579	SIZE A200779	
2 PLC ±0.02	3 PLC ±	APPLICATION SPEC	CAGE CODE C-1977888	
4 PLC ±	ANGLES ±	WEIGHT	DRAWING NO A200779	
FINISH		CUSTOMER DRAWING	RESTRICTED TO	
		SCALE 2:1	SHEET 1 OF 1 REV B	