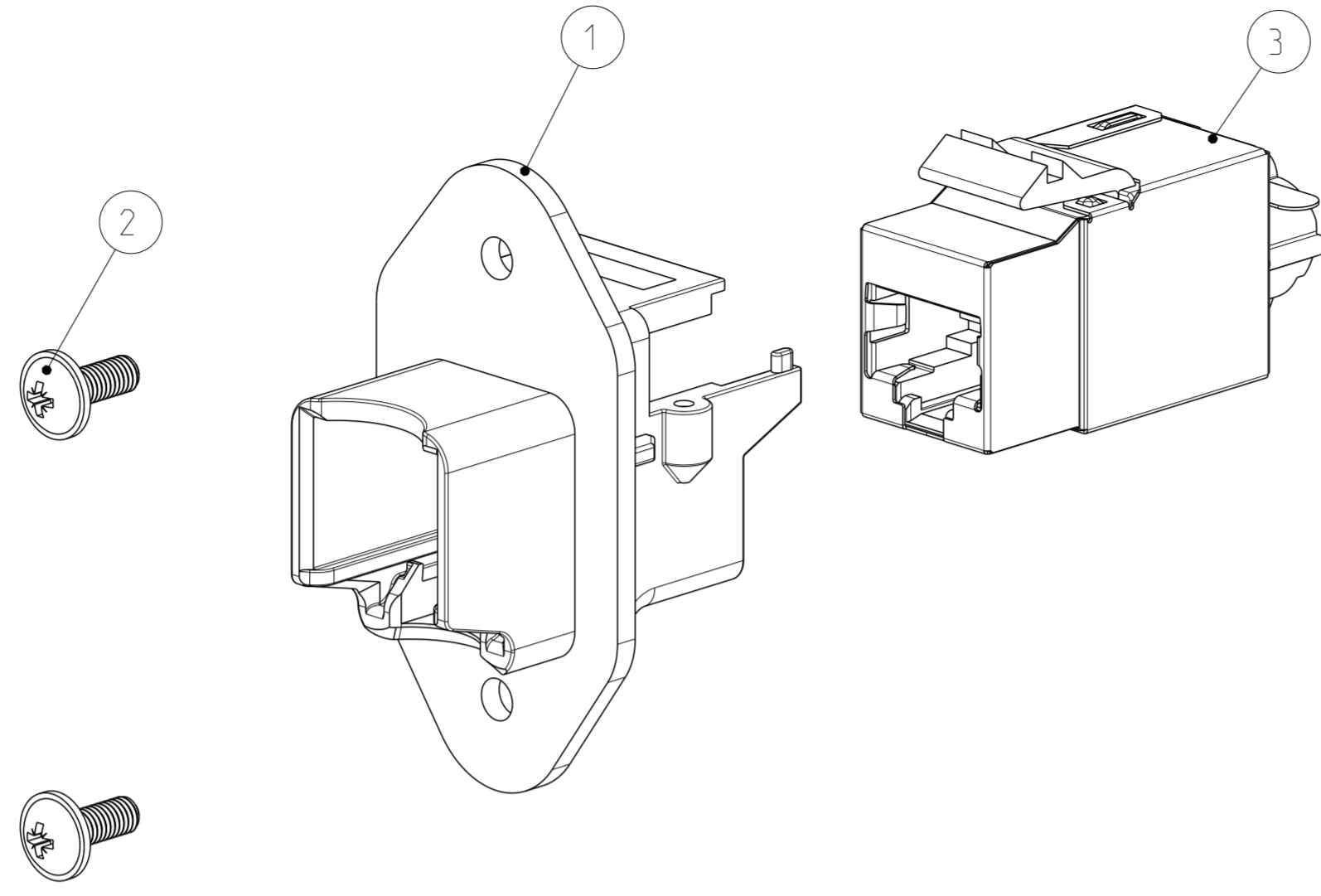
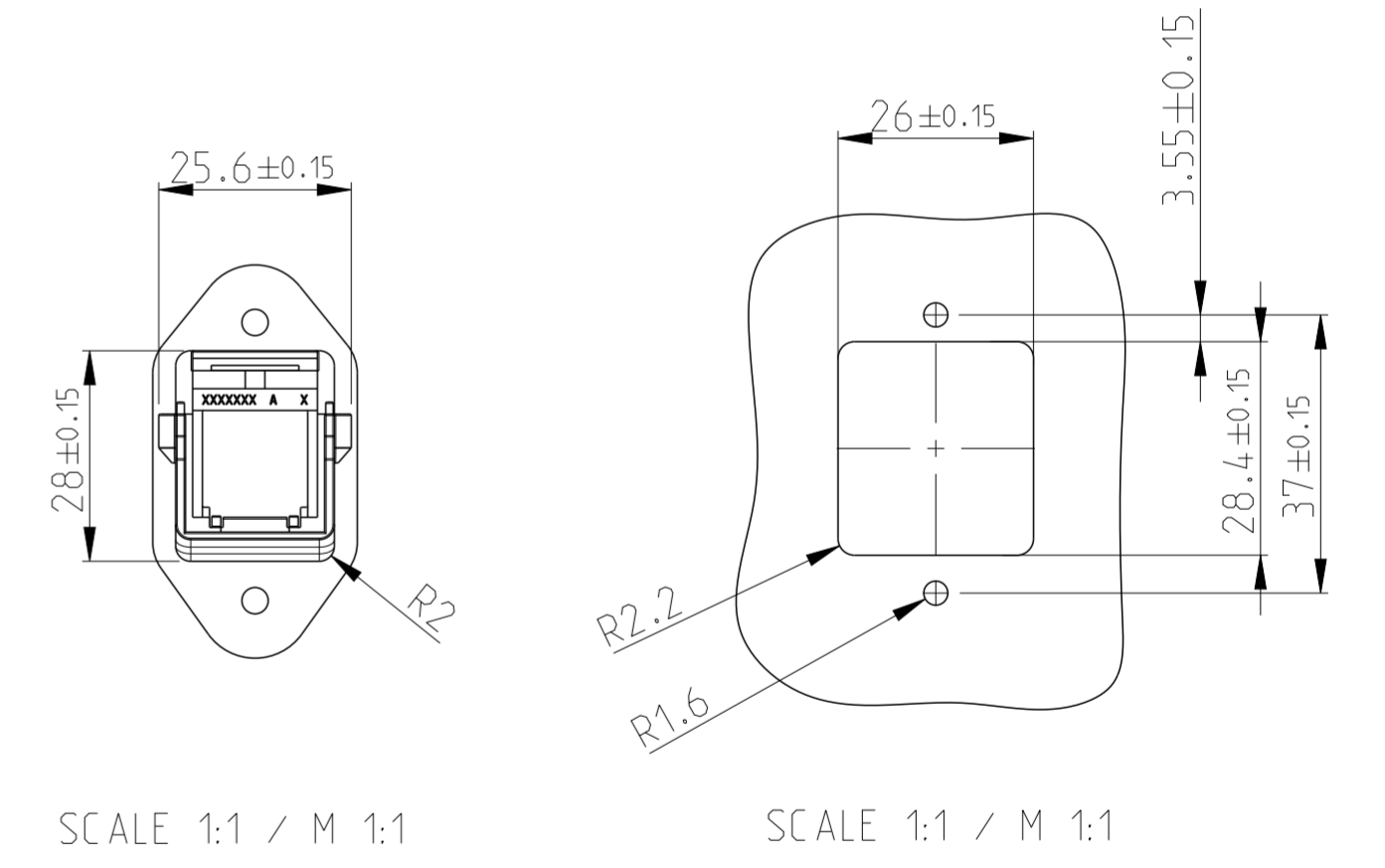


THIS DRAWING IS UNPUBLISHED. RELEASED FOR PUBLICATION 2008
 © COPYRIGHT 2008 BY - ALL RIGHTS RESERVED.

REVISIONS				
P	LTR	DESCRIPTION	DATE	APVD
A4		PN 1987672-2 DISCONTINUED	05JAN2018	TJ NG



CUT OUT FOR FITTING REQUIREMENT
 AUSSCHNITT FUER EINBAU BEDINGUNG



SINGLE PACKING: PLASTIC BAG (MINI GRIP) WITH MANUAL.
 MULTI PACKING: 50 PIECE ITEM NO. 1 IN CORD TENSIONING BAG+
 100 PIECE ITEM NO. 2 IN PLASTIC BAG (MINI GRIP) +
 50 PIECE ITEM NO. 3 FOLDING BOX +
 PACKED IN CORRUGATED SHIPPING BOX WITH MANUAL.

EINZELVERPACKUNG: KUNSTSTOFFBEUTEL (MINI GRIP) MIT ANLEITUNG.
 MEHRFACHVERPACKUNG: 50 STUECK POS. 1 IN KORDELZUG BEUTEL +
 100 STUECK POS. 2 IN KUNSTSTOFFBEUTEL (MINI GRIP) +
 50 STUECK POS. 3 IN FALTSCHACHEL +
 VERPACKT IN VERSANDKARTON MIT ANLEITUNG.

-	-	1	1	-	-	MANUAL	4
-	-	50	1	-	-	ASSEMBLY SL 110 JACK, SHIELD, CAT 5e	3
-	-	100	2	-	-	ROUND HEAD SCREW M3 x 8	2
-	-	50	1	-	-	FRAME, RJ45 CONNECTOR IP20	1
-	-	-2	-1	DWG. SIZE	PARTNUMBER	DESCRIPTION	ITEM NO
-	-	-	-	← REVISION OF EACH ASSY NO. (WHEN BLANK, USE DWG. REVISION)			
QTY REQD PER ASSY				PARTS LIST			

THIS DRAWING IS A CONTROLLED DOCUMENT.		DWN 24NOV2008 N.Thirunavukkasu	STE TE Connectivity	
		CHK 24NOV2008 W. BOECK		
DIMENSIONS: mm		APVD 24NOV2008 R.KRAEMER	NAME ASSY, FRAME, RJ45 CONN IP20, CAT5 ASSY, RAHMEN RJ45 CONN IP20, CAT5	
TOLERANCES UNLESS OTHERWISE SPECIFIED:		PRODUCT SPEC	SIZE A2	CAGE CODE 00779
0 PLC ±		APPLICATION SPEC	DRAWING NO C-1987672	RESTRICTED TO -
1 PLC ±		WEIGHT -	SCALE 2:1	SHEET 1 OF 1
2 PLC ±		CUSTOMER DRAWING	REV A4	
3 PLC ±				
4 PLC ±				
ANGLES ±°				
FINISH -				