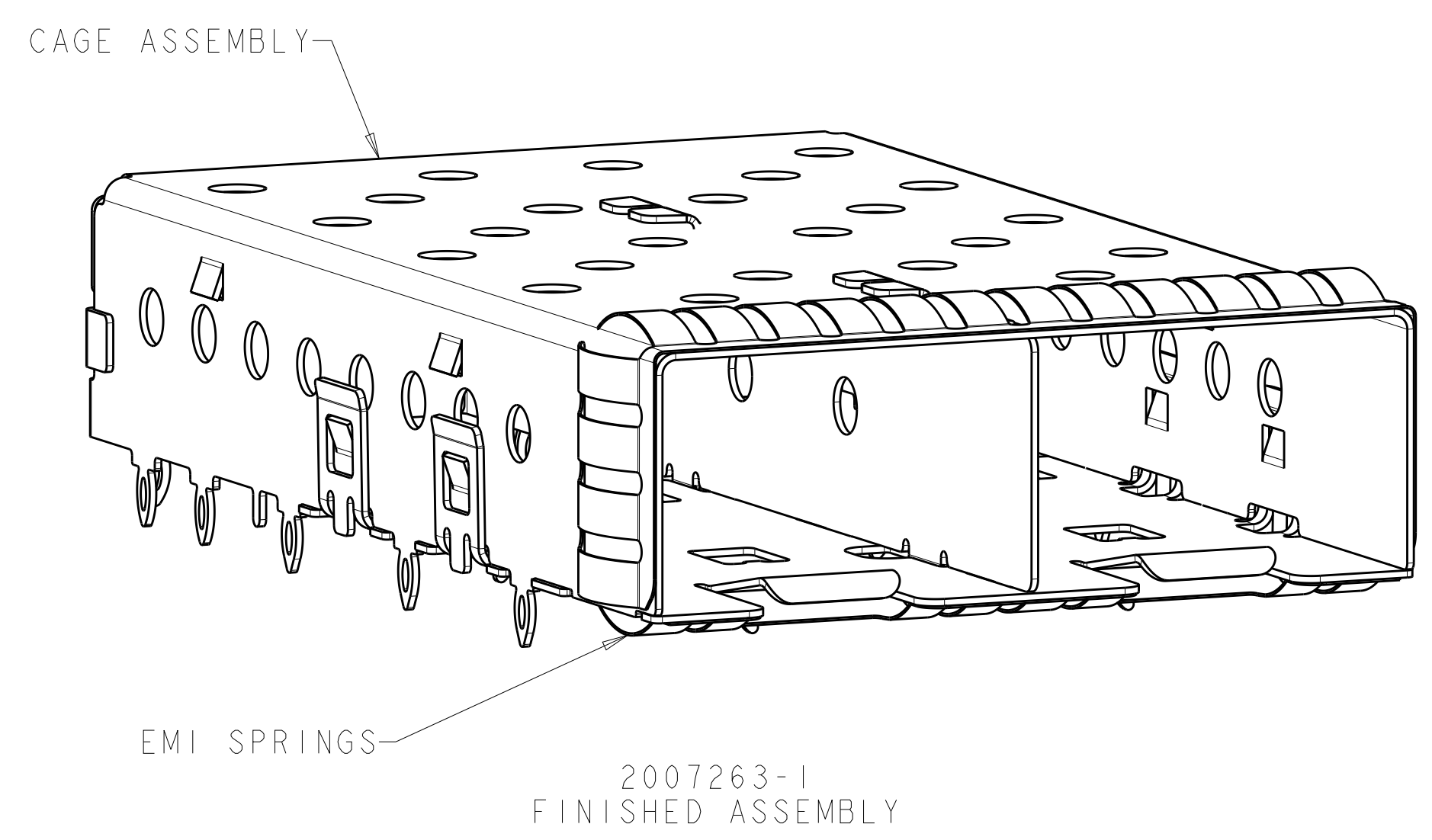
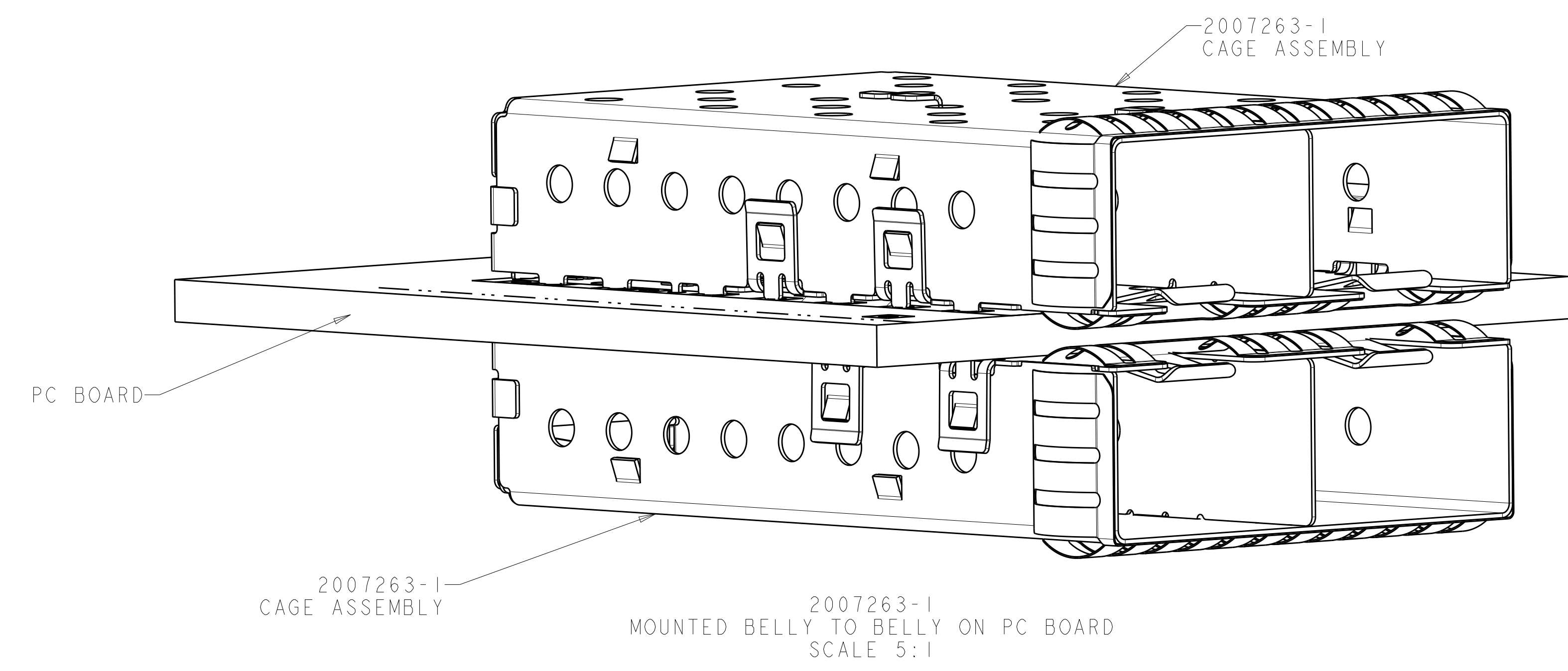
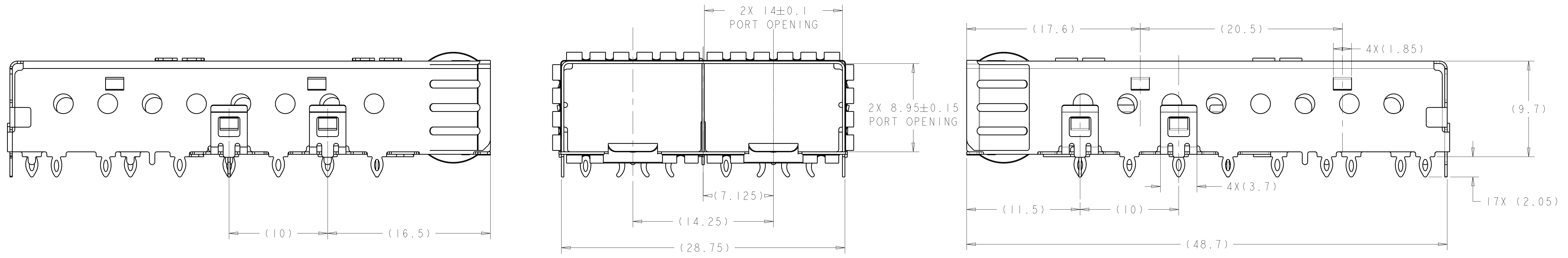


LOC	DIST	REVISIONS			
P	LTN	DESCRIPTION	DATE	DWN	APVD
GP	00				
D1		REVISED PER ECO-13-017631	04DEC2013	JZ	SH
E		REVISED PER ECO-16-000138	06JAN2016	AJ	SH
E1		REVISED PER ECO-16-003066	03MAR2016	PP	SH
F		REVISED PER ECO-19-017939	04NOV2019	ES	SH



- 1. MATERIAL: CAGE ASSEMBLY: 0.25mm THICK NICKEL SILVER ALLOY
EMI SPRINGS: COPPER ALLOY
- 2. FINISH:
SPRINGS - MINIMUM OF 0.8um MATTE TIN PLATED OVER A MINIMUM OF 0.8um NICKEL UNDERPLATE.
NON-PLATED EDGES PERMISSIBLE.
- 3. MATES WITH SFP MSA COMPLIANT TRANSCEIVERS.
- 4. PADS AND VIAS CHASSIS GROUND.
- 5. INTERPRETATION OF DATUM REFERENCE FRAME IN ACCORDANCE WITH SECT 4.4.1.1 OF ASME Y14.5M-1994.
- 6. MINIMUM PC BOARD THICKNESS:
SINGLE SIDED = 1.50
DOUBLE SIDED = 2.25
- 7. HOLE PATTERN REPEATS FOR EACH PORT, SPACING BETWEEN PORTS IS 14.25mm.
- 8. DATUM AND BASIC DIMENSION ESTABLISHED BY CUSTOMER.
- 9. REFERENCE APPLICATION SPEC. 114-13120, HOLE A, FOR RECOMMENDED DRILL HOLE DIAMETER AND PLATING THICKNESS.
- 10. REFERENCE APPLICATION SPEC. 114-13120, HOLE B, FOR RECOMMENDED DRILL HOLE DIAMETER AND PLATING THICKNESS.
- 11. CERTAIN MATING TRANSCEIVERS MAY REQUIRE ADDITIONAL PCB THICKNESS THAT WOULD NEED TO BE DETERMINED BY THE CUSTOMER.
- 12. PRODUCT COMPLIES WITH SPECIFICATION SFF-8433 IMPROVED PLUGGABLE FORM FACTOR FOR SFP+ GANGED CAGES.
- 13. THERE ARE NO BOTTOM CRESCENT PINS IN 2007263-1.
- 14. THESE HOLES OF PCB SHOULD NOT EXIST FOR 2007263-3.



2007263-7
2007263-5
2007263-3
2007263-1
PART NUMBER

THIS DRAWING IS A CONTROLLED DOCUMENT.

DIMENSIONS: mm

TOLERANCES UNLESS OTHERWISE SPECIFIED:

0 PLC	±0.1
1 PLC	±0.1
2 PLC	±0.1
3 PLC	±0.1
4 PLC	±0.1
ANGLES	±1°

MATERIAL: FINISH:

CUSTOMER DRAWING

DWN: M. SCHMITT 17JUL2007
CHK: M. SCHMITT 17JUL2007
APVD: B. WERTZ 17JUL2007

NAME: SFP+ 1X2 CAGE ASSEMBLY
PRESS FIT, EXTERNAL EMI SPRINGS

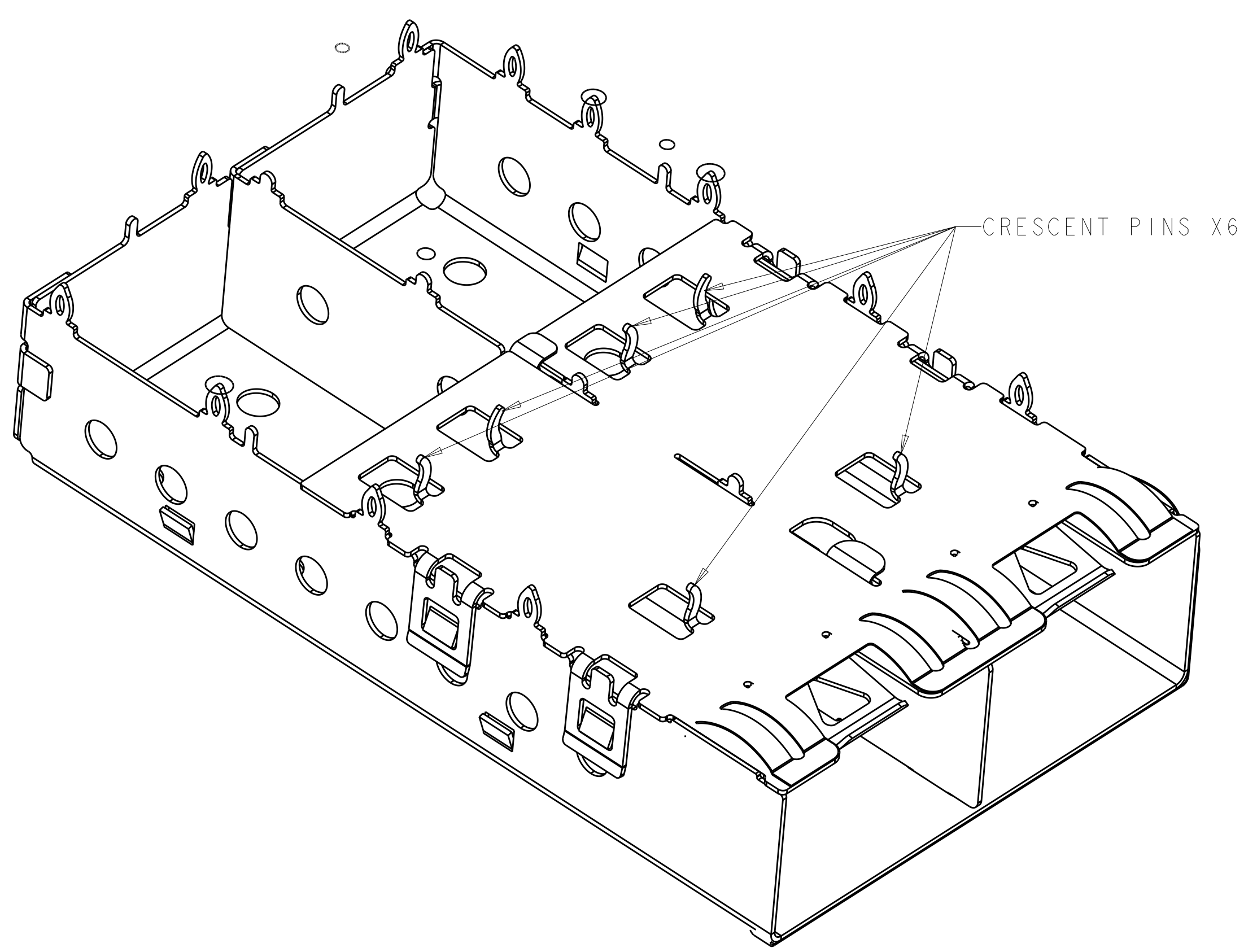
PRODUCT SPEC: 108-2364
APPLICATION SPEC: 114-13120

SIZE: A1 CAGE CODE: 00779 DRAWING NO: 2007263

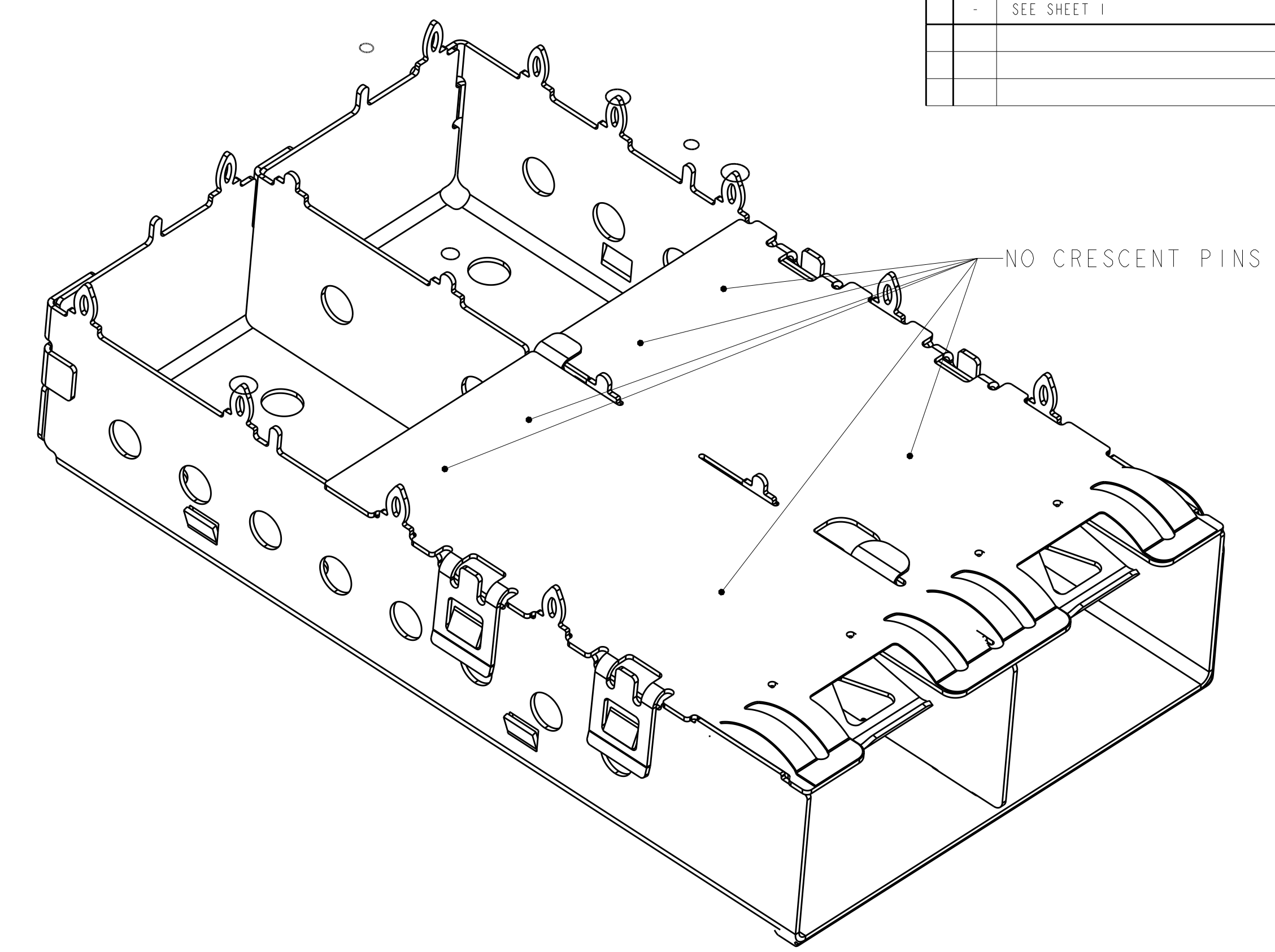
RESTRICTED TO: -

SCALE: 5:1 SHEET: 1 OF 9 REV: F

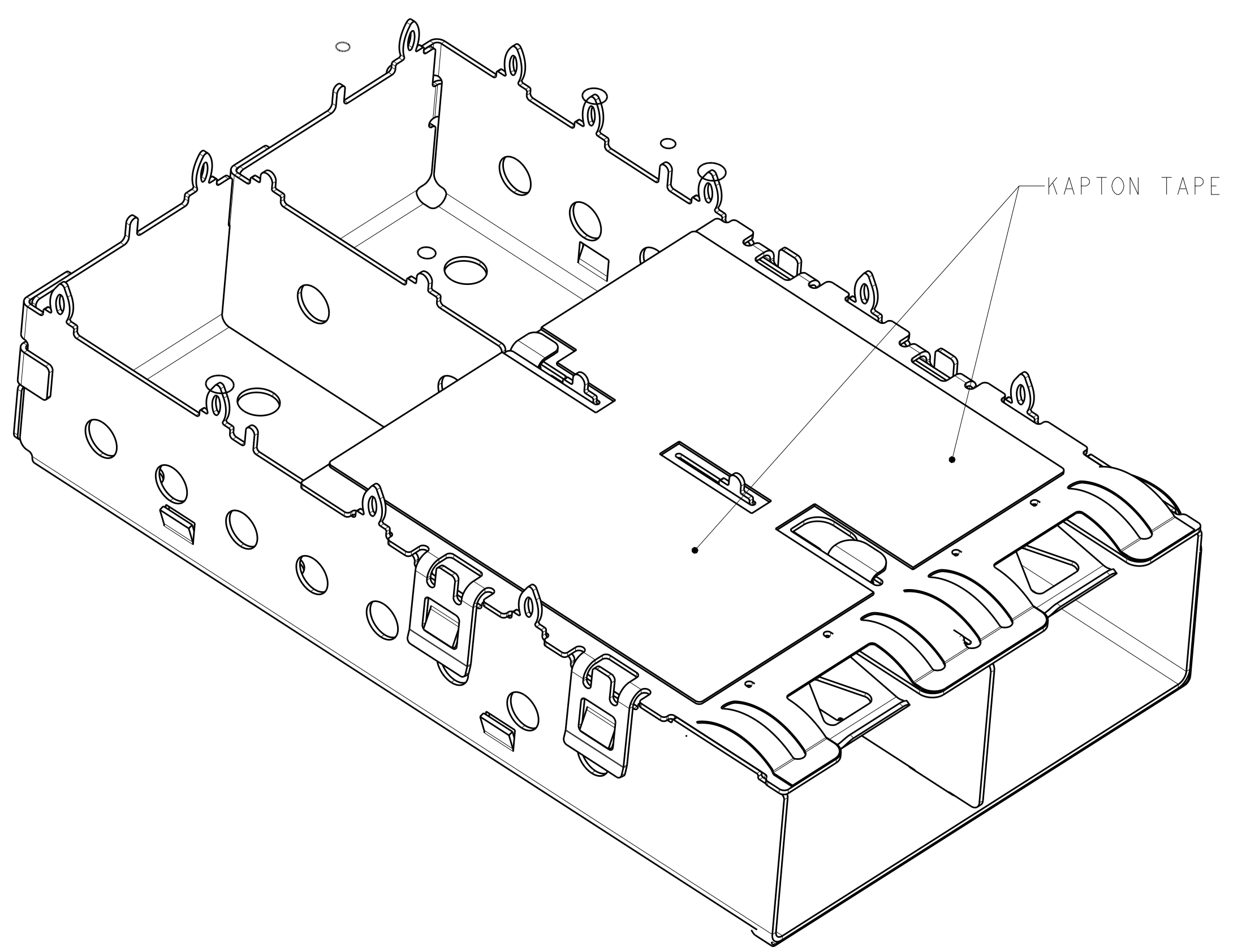
LOC	DIST	REVISIONS					
GP	00	P	LYR	DESCRIPTION	DATE	DWN	APVD
		-		SEE SHEET 1			



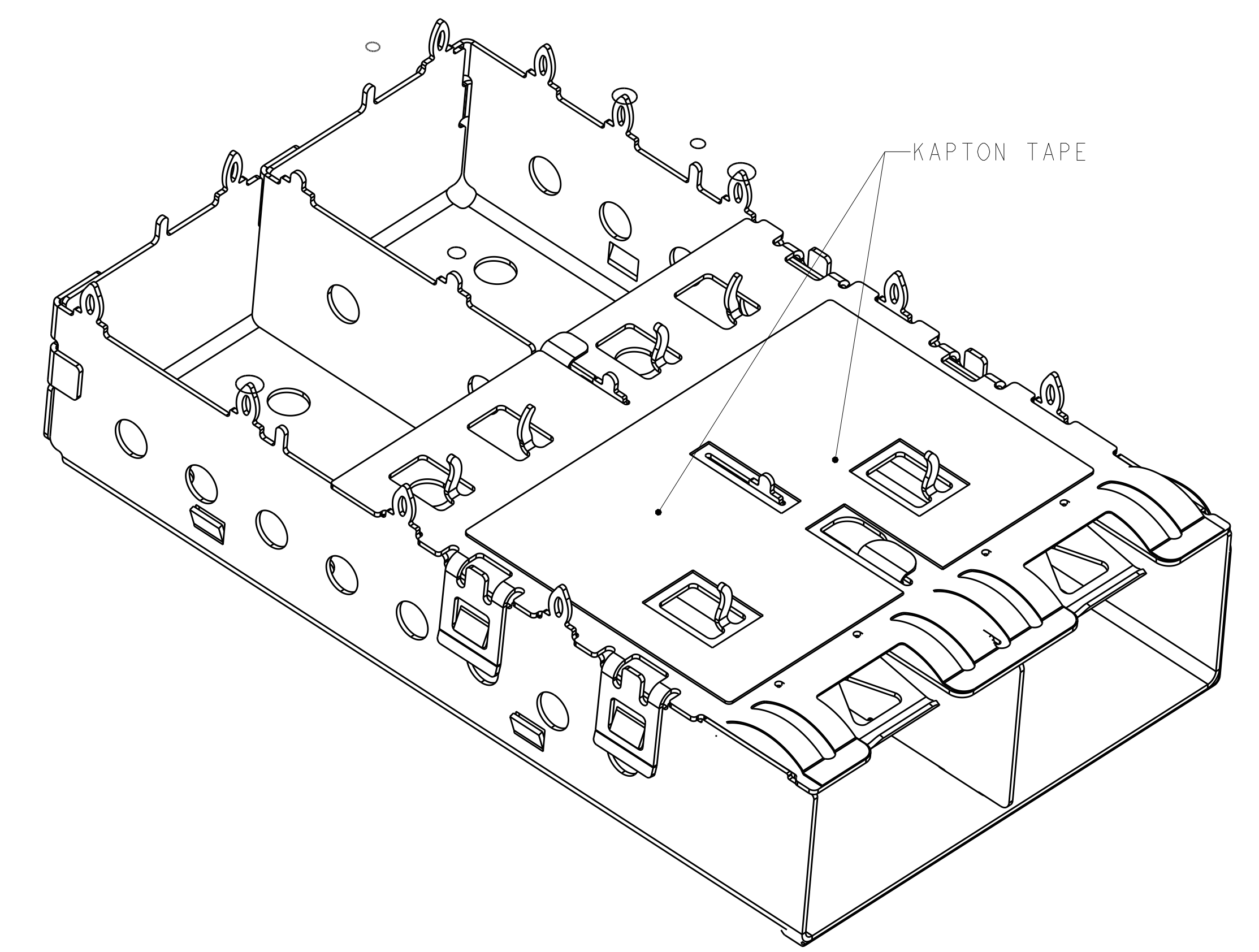
2007263-1 AS SHOWN WITH CRESCENT PINS X6 SCALE 5:1



2007263-3 IS THE SAME TO 2007263-1 AS SHOWN Δ EXCEPT WITH NO CRESCENT PINS SCALE 5:1



2007263-5 IS AS SHOWN WITH KAPTON TAPE SCALE 5:1

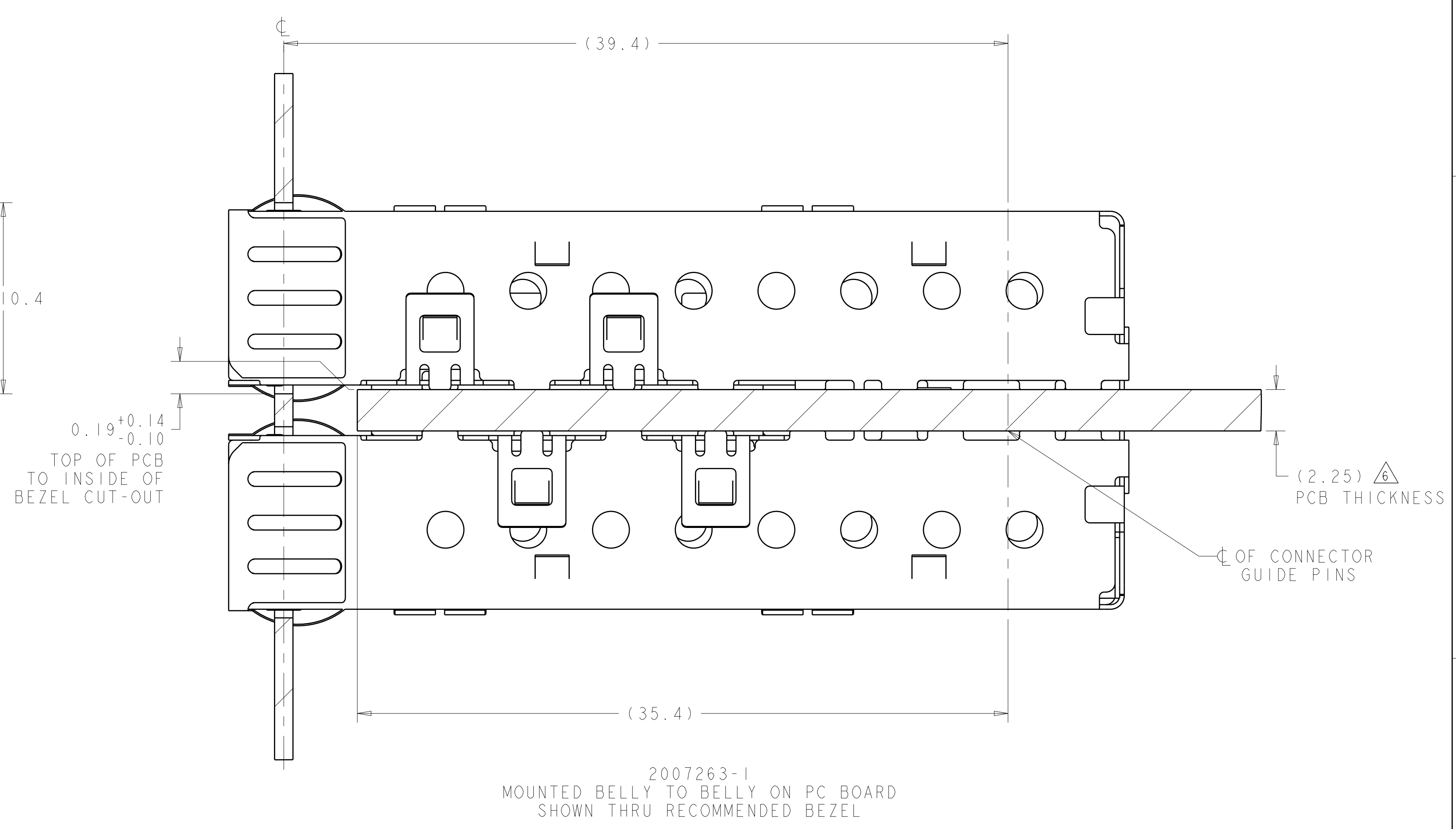
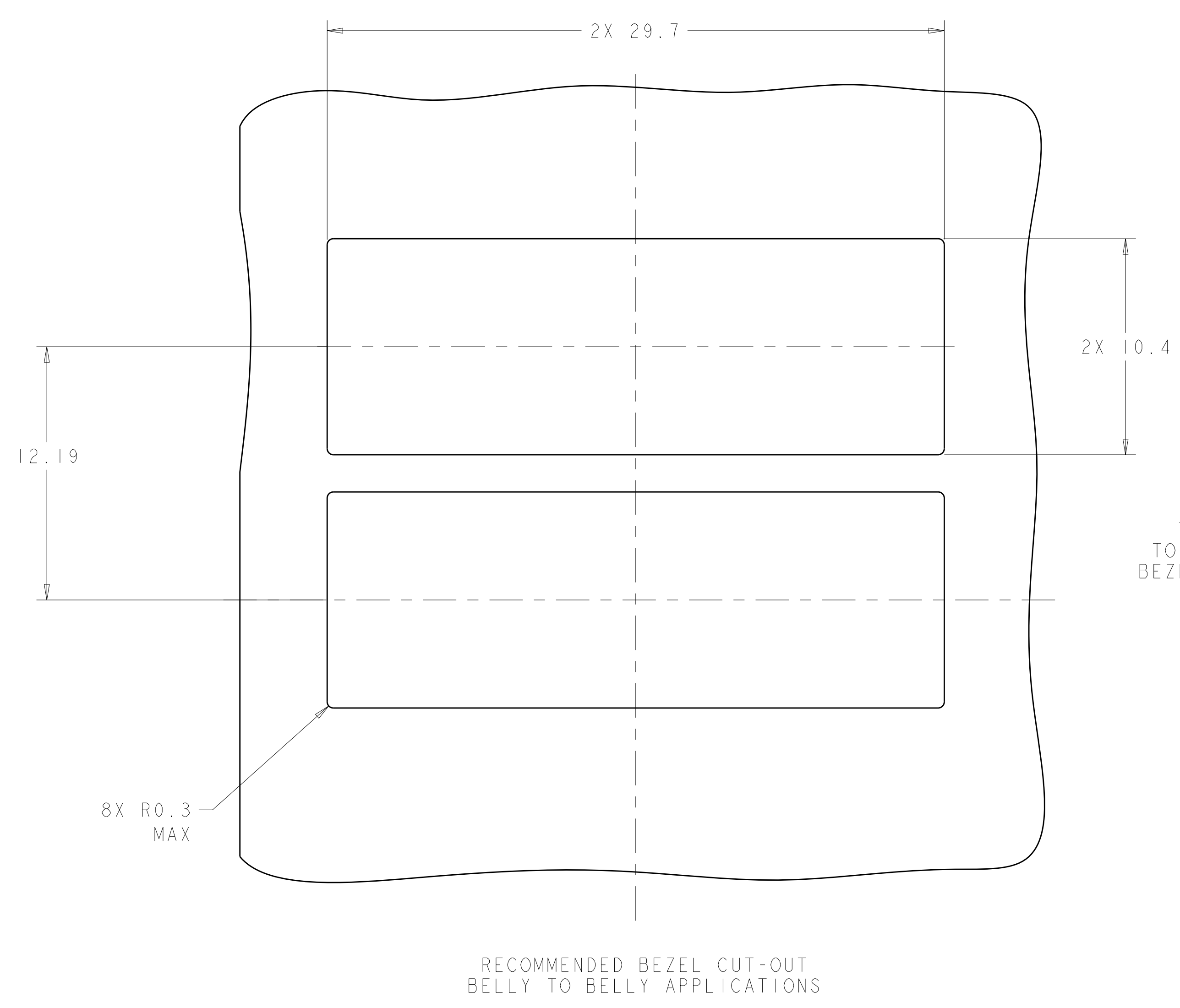
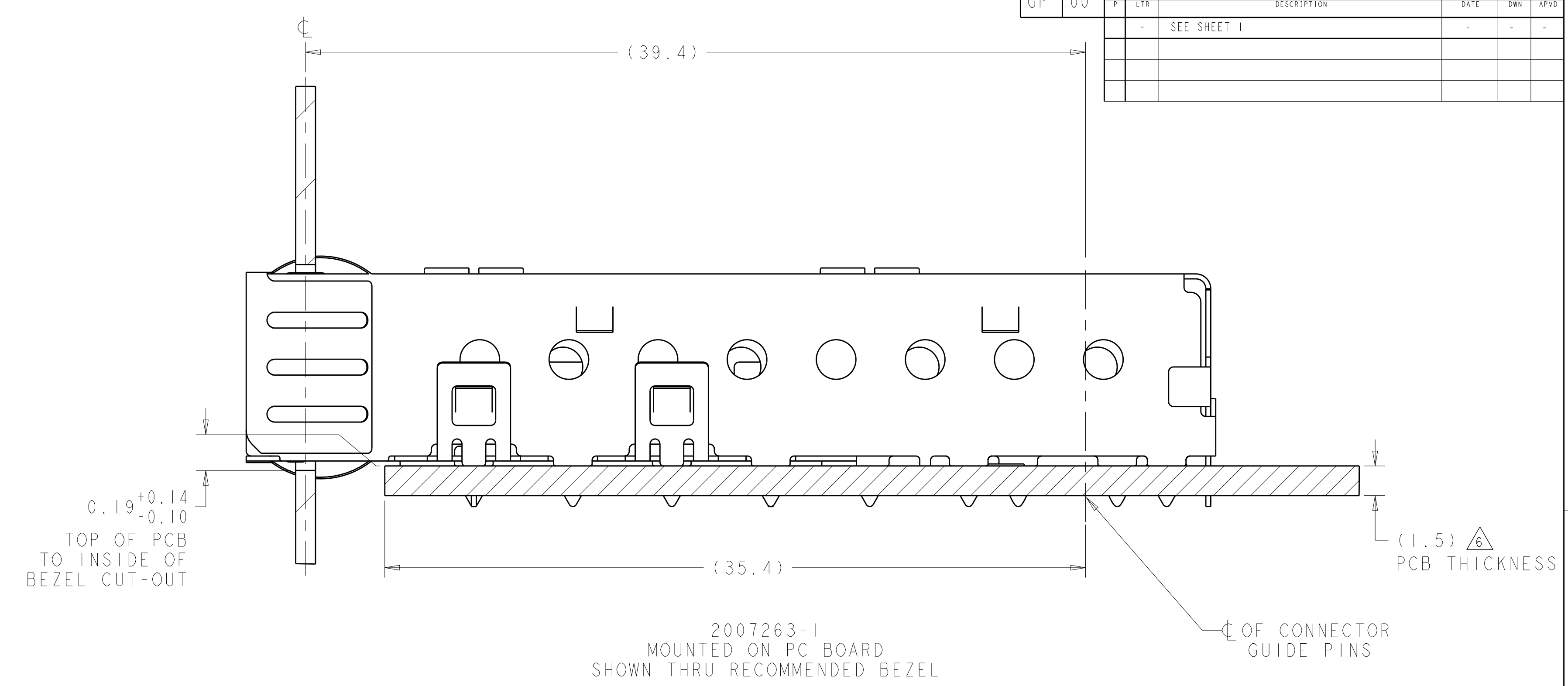
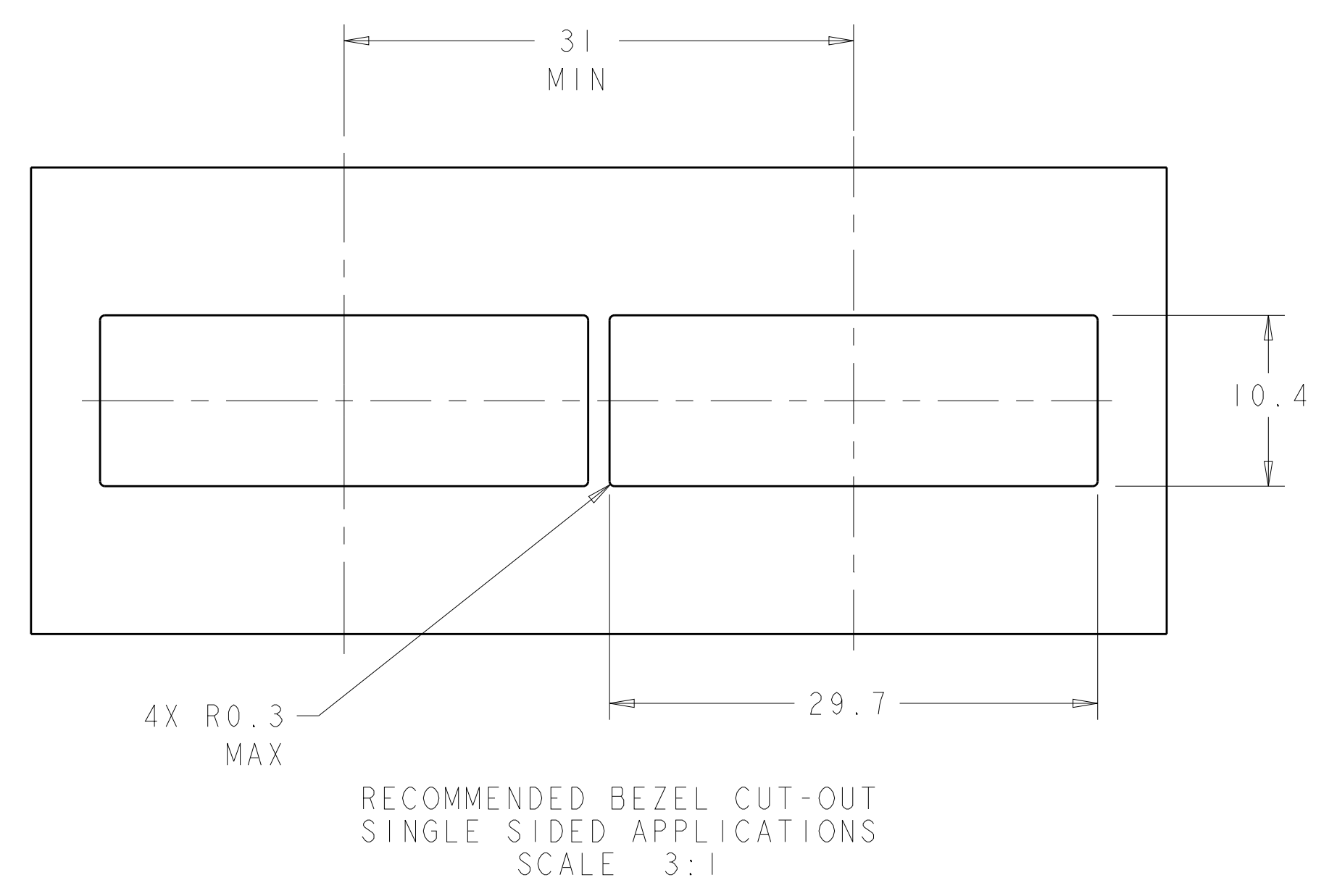


2007263-7 IS THE SAME TO 2007263-1 AS SHOWN EXCEPT WITH KAPTON TAPE SCALE 5:1

THIS DRAWING IS A CONTROLLED DOCUMENT.		DWN M. SCHMITT 17JUL2007	STE TE Connectivity
DIMENSIONS: mm		CHK M. SCHMITT 17JUL2007	
TOLERANCES UNLESS OTHERWISE SPECIFIED:		APVD B. WERTZ 17JUL2007	NAME SFP+ 1X2 CAGE ASSEMBLY PRESS FIT, EXTERNAL EMI SPRINGS
0 PLC ±0.1		PRODUCT SPEC 108-2364	SIZE CAGE CODE DRAWING NO RESTRICTED TO
1 PLC ±0.1		APPLICATION SPEC	A100779C=2007263
2 PLC ±0.1		114-13120	SCALE 6:1 SHEET 2 OF 9 REV F
3 PLC ±0.1		WEIGHT	
4 PLC ±0.1		CUSTOMER DRAWING	
ANGLES ±1°			
FINISH			

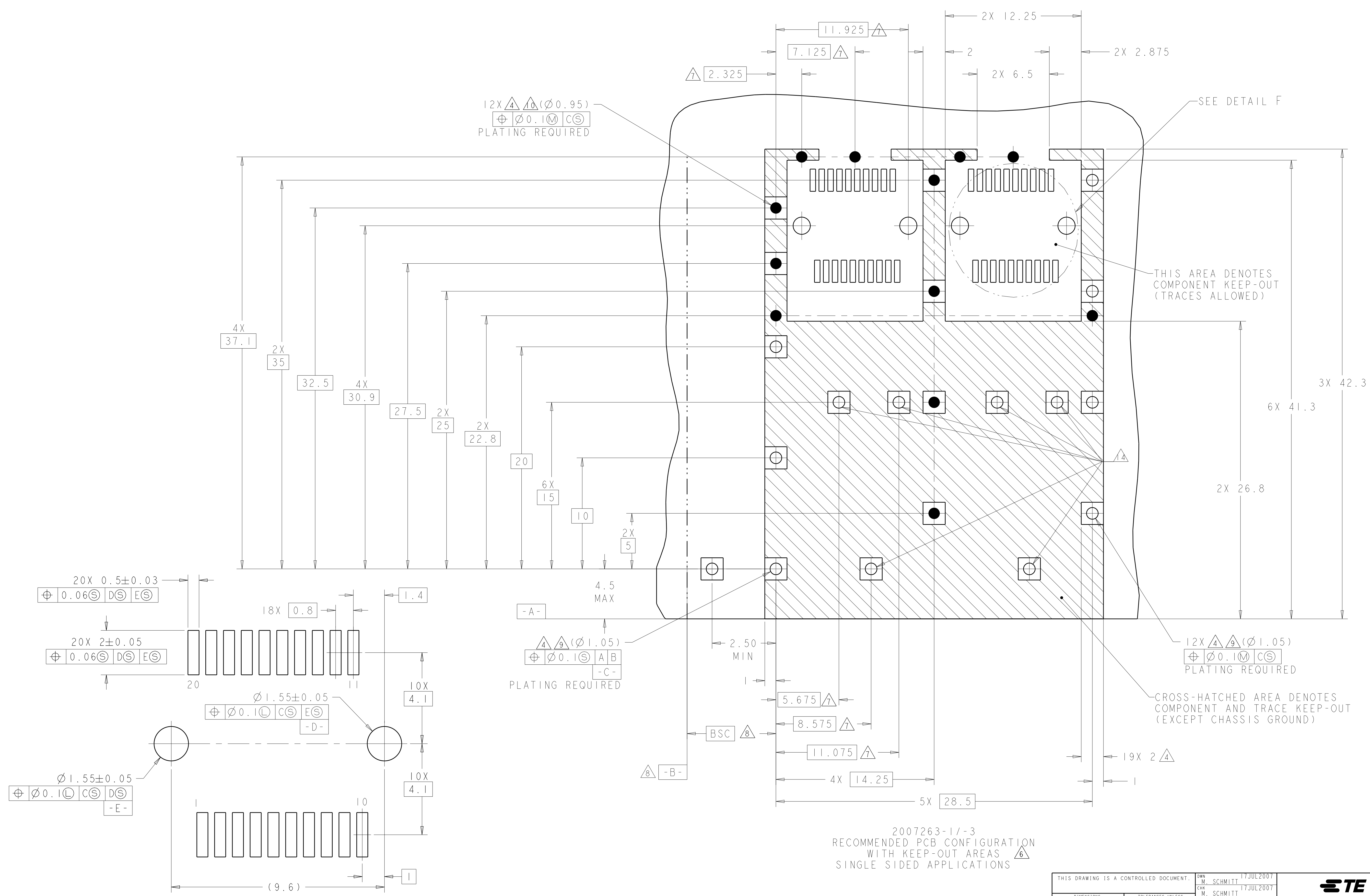
LOC	DIST	REV	DATE	BY	APPV
GP	00				

REVISIONS					
REV	DATE	BY	APPV	DESCRIPTION	DATE
-	-	-	-	SEE SHEET 1	-



THIS DRAWING IS A CONTROLLED DOCUMENT.		OWN M. SCHMITT 17JUL2007	 TE Connectivity
DIMENSIONS:		CHK M. SCHMITT 17JUL2007	
TOLERANCES UNLESS OTHERWISE SPECIFIED:		APPV B. WERTZ 17JUL2007	
mm		PRODUCT SPEC	
		108-2364	NAME SFP+ 1X2 CAGE ASSEMBLY PRESS FIT, EXTERNAL EMI SPRINGS
MATERIAL		APPLICATION SPEC	SIZE 114-13120
FINISH		WEIGHT	RESTRICTED TO
		CUSTOMER DRAWING	A100779C=2007263
		SCALE 6:1	SHEET 3 OF 9
		REV F	

LOC		DIST		REVISONS			
GP	00	P	LTN	DESCRIPTION	DATE	DMN	APVD
-	-	-	-	SEE SHEET 1	-	-	-



12X 4 (Ø0.95)
 Ø0.10 CS
 PLATING REQUIRED

SEE DETAIL F

THIS AREA DENOTES
 COMPONENT KEEP-OUT
 (TRACES ALLOWED)

4 9 (Ø1.05)
 Ø0.10 CS
 PLATING REQUIRED

12X 4 (Ø1.05)
 Ø0.10 CS
 PLATING REQUIRED

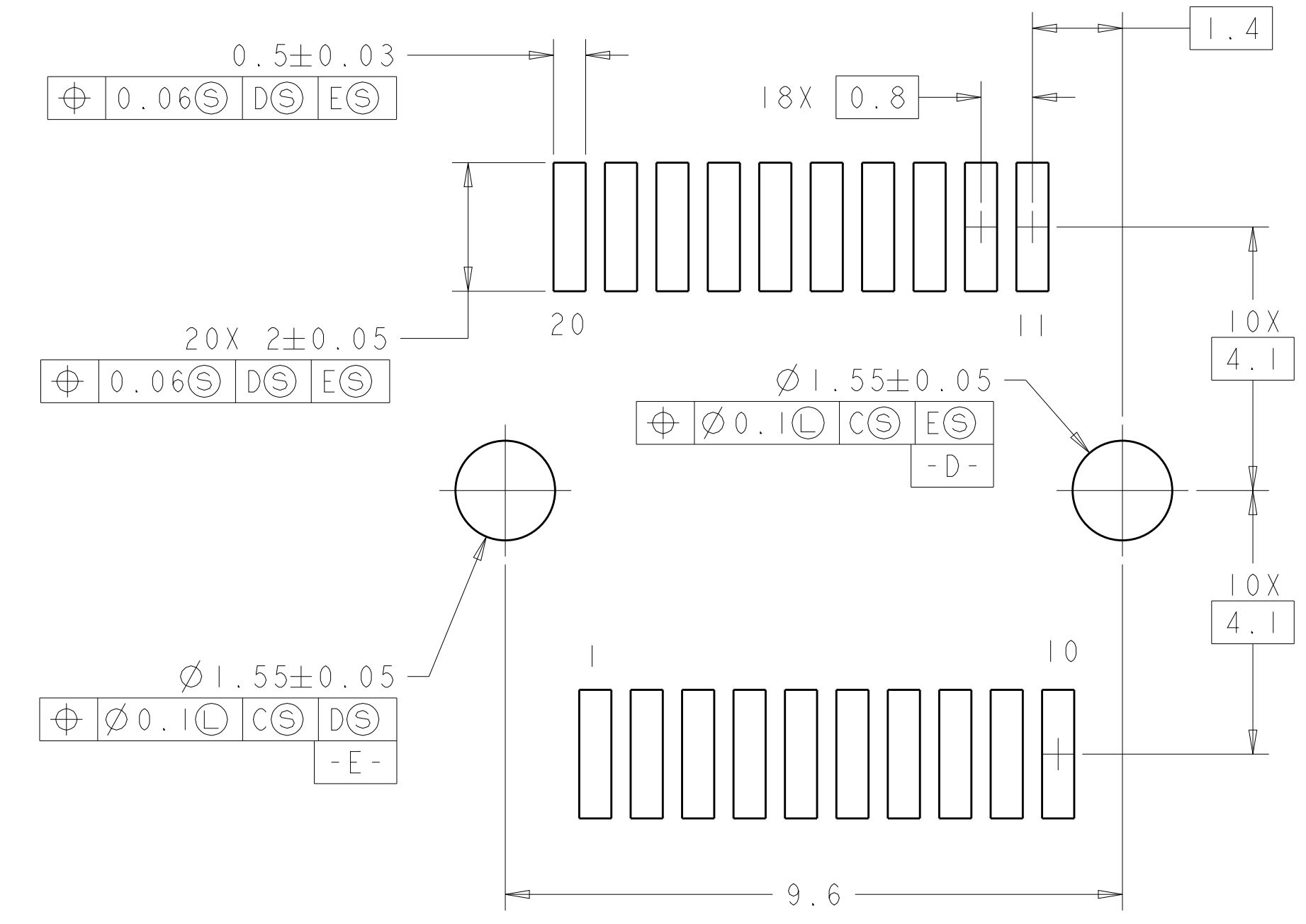
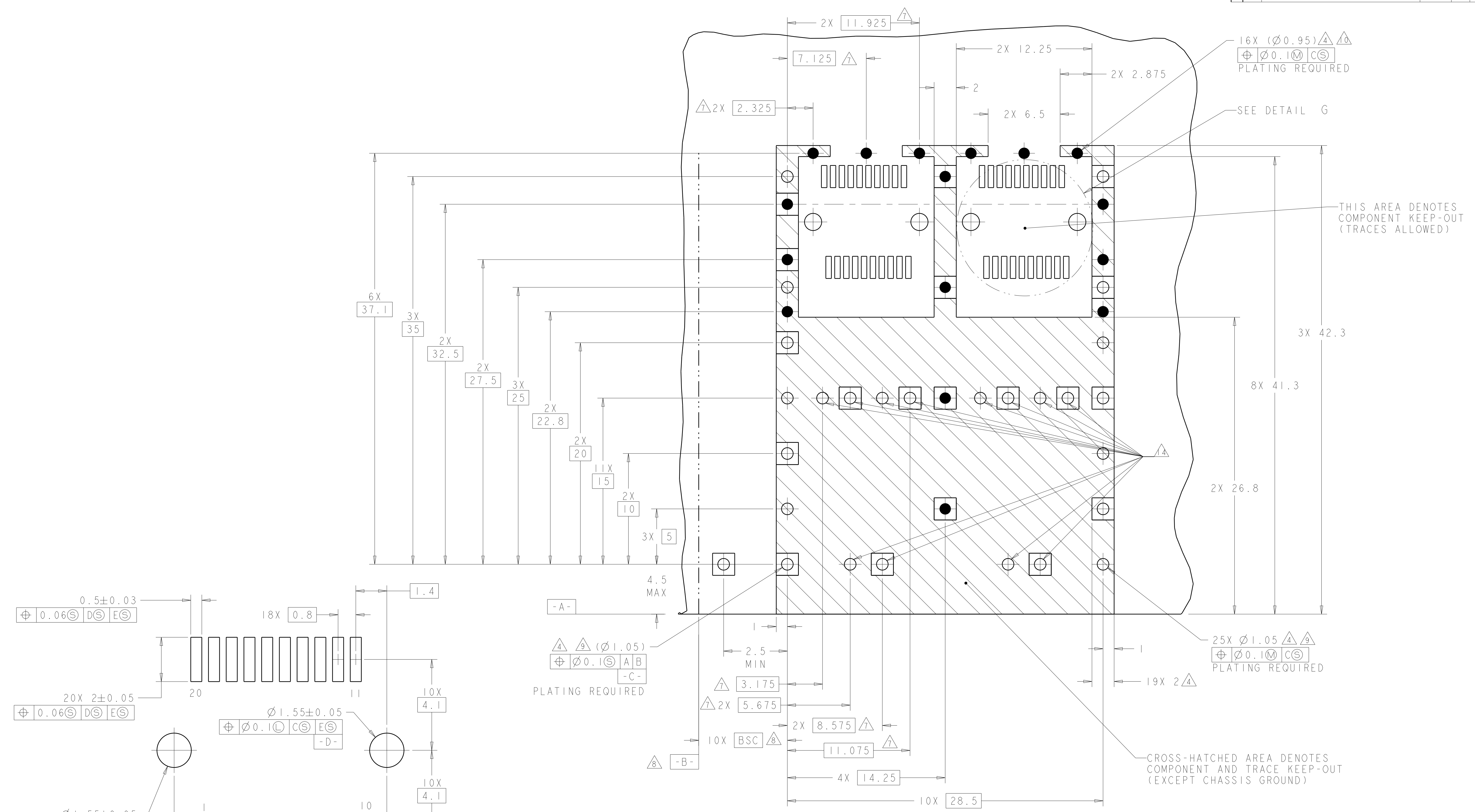
CROSS-HATCHED AREA DENOTES
 COMPONENT AND TRACE KEEP-OUT
 (EXCEPT CHASSIS GROUND)

2007263-1/-3
 RECOMMENDED PCB CONFIGURATION
 WITH KEEP-OUT AREAS
 SINGLE SIDED APPLICATIONS

DETAIL F
 RECOMMENDED PT CONNECTOR LAYOUT
 2X INDIVIDUALLY
 SCALE 12:1

THIS DRAWING IS A CONTROLLED DOCUMENT.		DMN M. SCHMITT 17JUL2007	TE Connectivity
DIMENSIONS: mm		CHK M. SCHMITT 17JUL2007	
TOLERANCES UNLESS OTHERWISE SPECIFIED:		APVD B. WERTZ 17JUL2007	NAME SFP+ 1X2 CAGE ASSEMBLY PRESS FIT, EXTERNAL EMI SPRINGS
0 PLC ±0.1	1 PLC ±0.1	PRODUCT SPEC 108-2364	SIZE CAGE CODE DRAWING NO. RESTRICTED TO
2 PLC ±0.1	3 PLC ±0.1	APPLICATION SPEC 114-13120	A100779C=2007263
4 PLC ±0.1	ANGLES ±1°	WEIGHT	CUSTOMER DRAWING SCALE 6:1 SHEET 4 OF 9 REV F

LOC	DIST	REV	DATE	BY	APPD
GP	00				

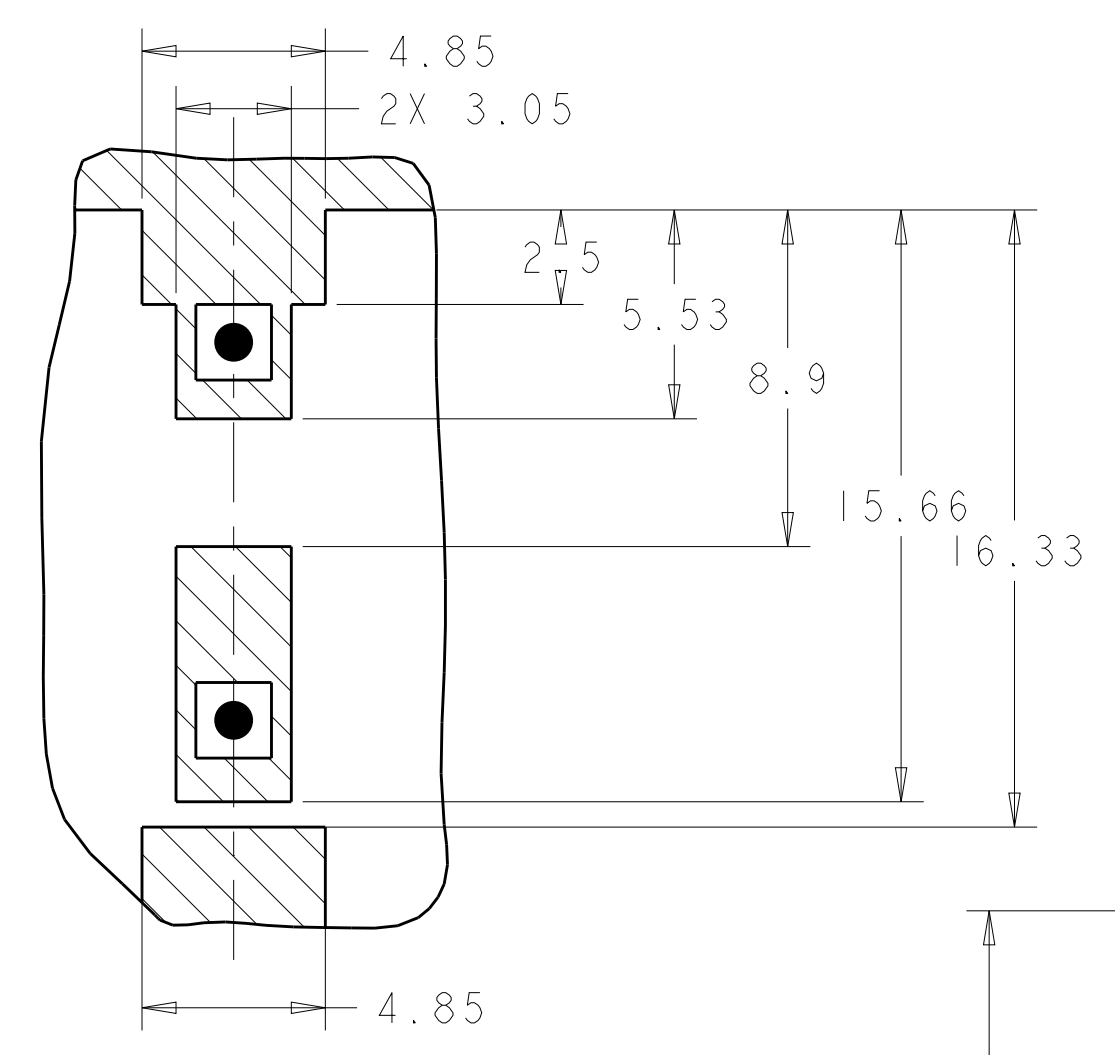


DETAIL G
RECOMMENDED PT CONNECTOR LAYOUT
4X INDIVIDUALLY
SCALE 12:1

2007263-1/-3
RECOMMENDED PCB CONFIGURATION
WITH KEEP-OUT AREAS
BELLY TO BELLY APPLICATIONS
SCALE 6:1

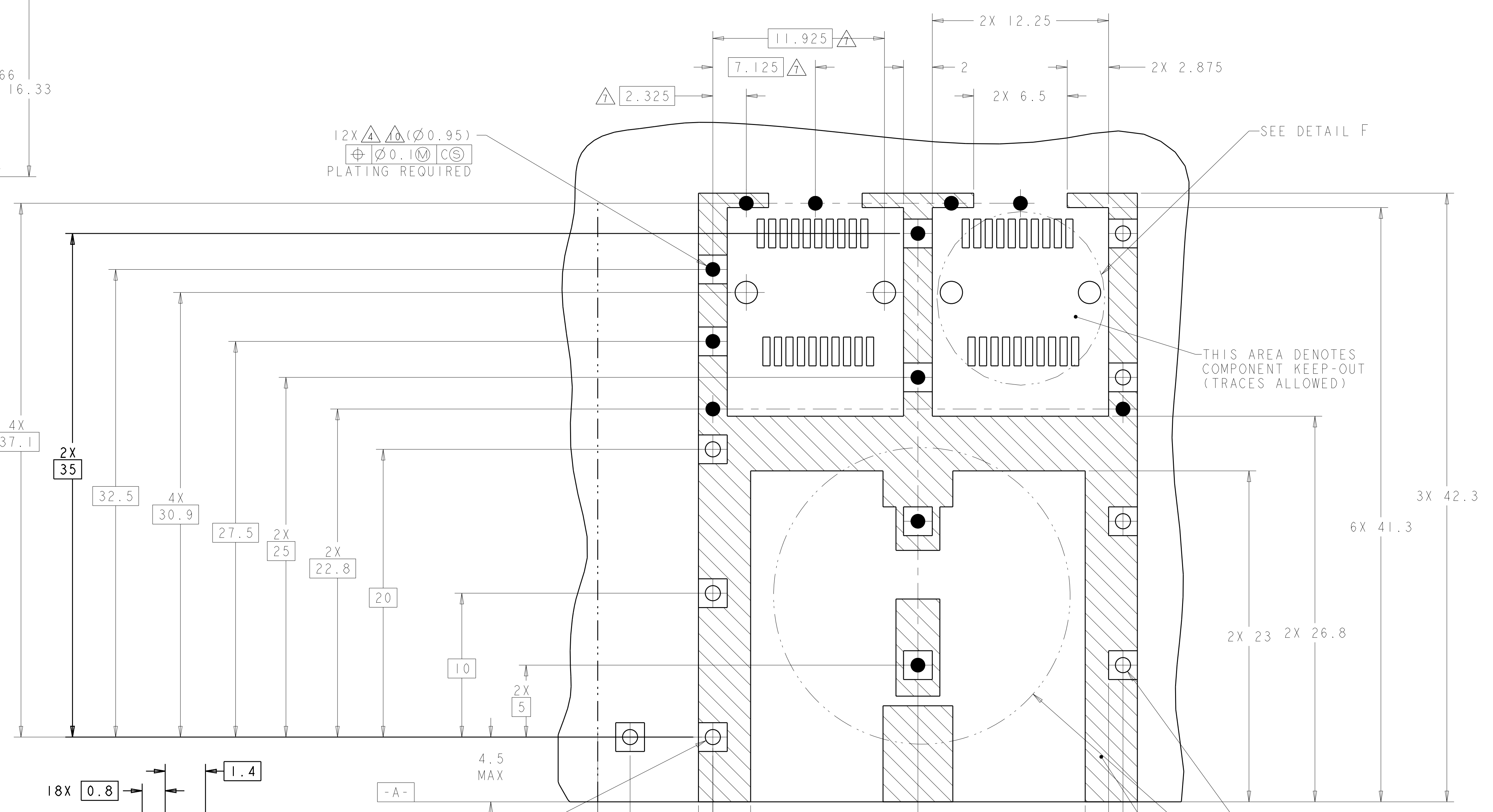
THIS DRAWING IS A CONTROLLED DOCUMENT.		OWN: M. SCHMITT 17JUL2007	TE Connectivity
DIMENSIONS: mm		CHK: M. SCHMITT 17JUL2007	
TOLERANCES UNLESS OTHERWISE SPECIFIED:		APPD: B. WERTZ 17JUL2007	NAME: SFP+ 1X2 CAGE ASSEMBLY PRESS FIT, EXTERNAL EMI SPRINGS
0 PLC	±0.1	PRODUCT SPEC	108-2364
1 PLC	±0.1	APPLICATION SPEC	114-13120
2 PLC	±0.1	WEIGHT	A100779C=2007263
3 PLC	±0.1	CUSTOMER DRAWING	SCALE 6:1 SHEET 5 OF 9 REV F
4 PLC	±0.1		
ANGLES	±1°		

REVISONS		DATE	DWN	APVD
GP	00			
SEE SHEET 1				



DETAIL A
SCALE 5:1

12X Δ ($\varnothing 0.95$)
 $\oplus \varnothing 0.10$ | C | S |
 PLATING REQUIRED

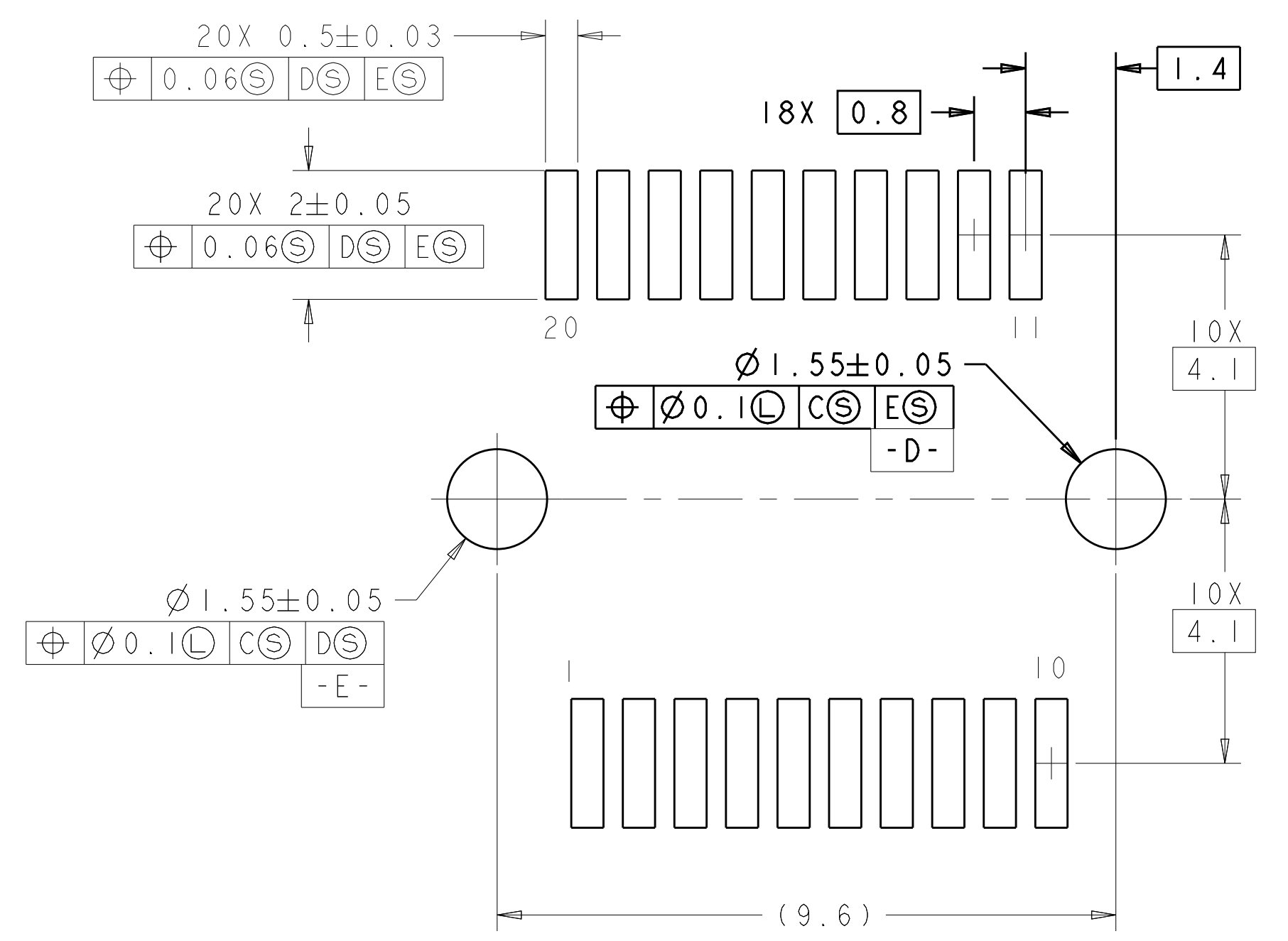


SEE DETAIL F

THIS AREA DENOTES
COMPONENT KEEP-OUT
(TRACES ALLOWED)

6X Δ Δ ($\varnothing 1.05$)
 $\oplus \varnothing 0.10$ | C | S |
 PLATING REQUIRED
 SEE DETAIL A

CROSS-HATCHED AREA DENOTES
COMPONENT AND TRACE KEEP-OUT
(EXCEPT CHASSIS GROUND)



DETAIL F
RECOMMENDED PT CONNECTOR LAYOUT
2X INDIVIDUALLY
SCALE 12:1

-A-
4 Δ 9 ($\varnothing 1.05$)
 $\oplus \varnothing 0.10$ | A | B |
 -C-
 PLATING REQUIRED

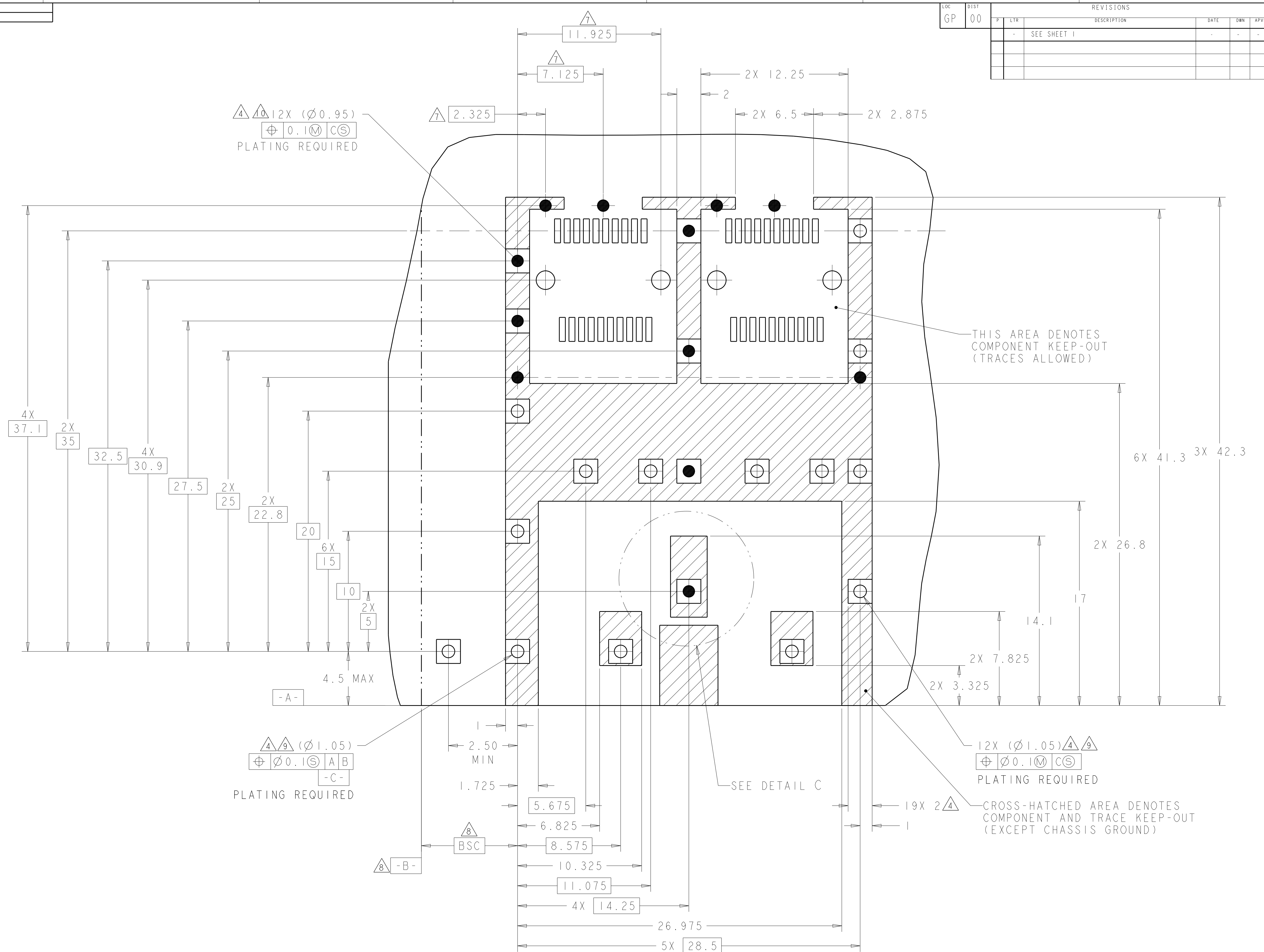
BSC Δ 8
 -B-

2007263-5
 RECOMMENDED PCB CONFIGURATION
 WITH KEEP-OUT AREAS
 SINGLE SIDED APPLICATIONS

THIS DRAWING IS A CONTROLLED DOCUMENT.		DWN: M. SCHMITT 17JUL2007	TE Connectivity
DIMENSIONS: mm		CHK: M. SCHMITT 17JUL2007	
DIMENSIONS: mm 0 PLC ± 0.1 1 PLC ± 0.1 2 PLC ± 0.1 3 PLC ± 0.1 4 PLC ± 0.1 ANGLES ± 0.1		APVD: B. WERTZ 17JUL2007	NAME: SFP+ 1X2 CAGE ASSEMBLY PRESS FIT, EXTERNAL EMI SPRINGS
TOLERANCES UNLESS OTHERWISE SPECIFIED: FINISH: μ m		PRODUCT SPEC: 108-2364	
MATERIAL: -		APPLICATION SPEC: 114-13120	SIZE: A1
CUSTOMER DRAWING		SCALE: 6:1	SHEET: 6 OF 9
		REV: F	

LOC	DIST	REV	DATE	BY	APPD
GP	00				

REVISIONS					
REV	DATE	BY	APPD	DESCRIPTION	
-	-	-	-	SEE SHEET 1	



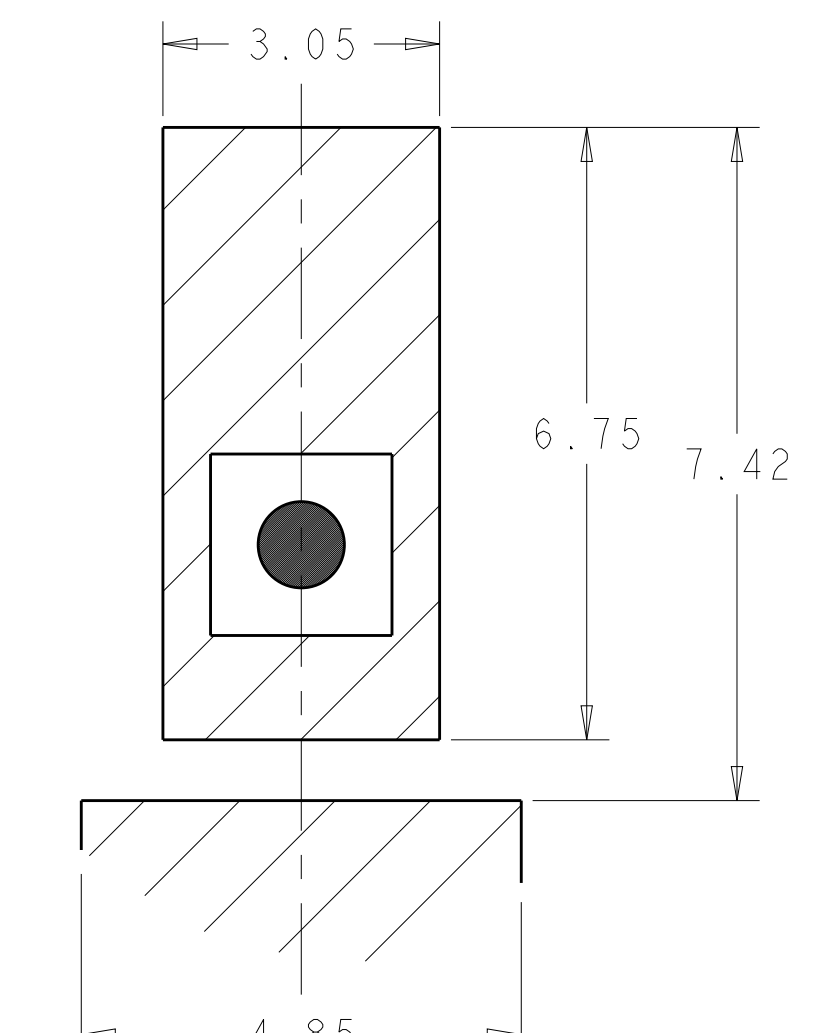
12X (Ø0.95)
 ±0.10 CS
 PLATING REQUIRED

THIS AREA DENOTES
 COMPONENT KEEP-OUT
 (TRACES ALLOWED)

(Ø1.05)
 ±0.10 CS
 PLATING REQUIRED

12X (Ø1.05)
 ±0.10 CS
 PLATING REQUIRED

19X 2
 CROSS-HATCHED AREA DENOTES
 COMPONENT AND TRACE KEEP-OUT
 (EXCEPT CHASSIS GROUND)

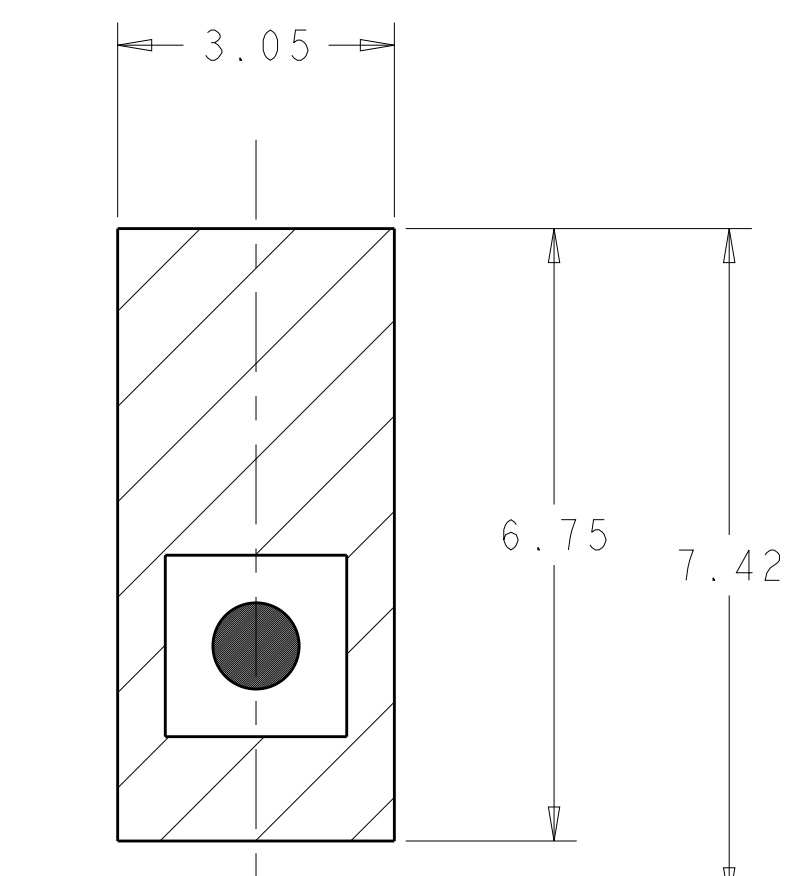
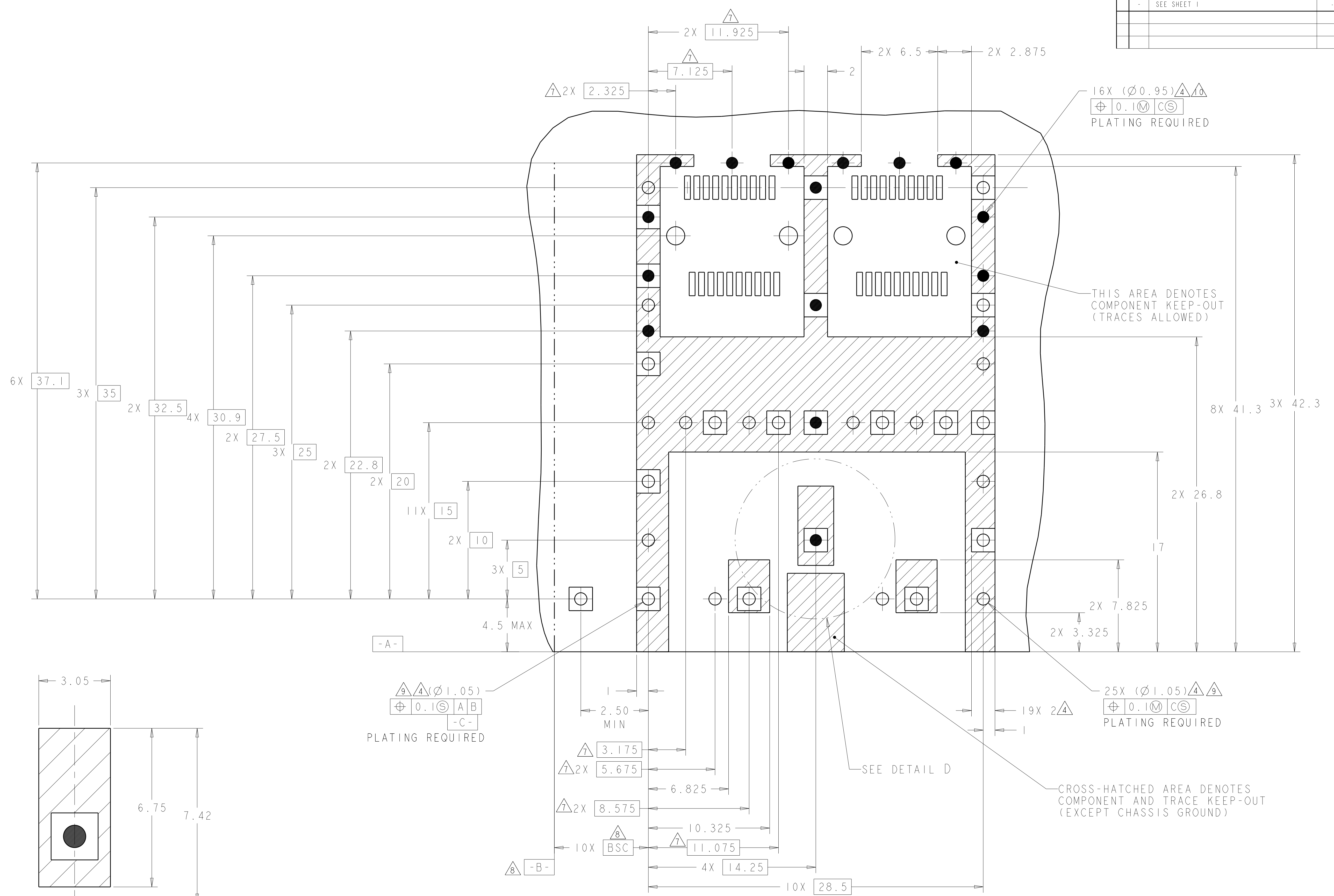


DETAIL C
 SCALE 12:1

2007263-7
 RECOMMENDED PCB CONFIGURATION WITH KEEP-OUT AREAS
 SINGLE SIDED APPLICATIONS SAME AS 2007263-5,
 EXCEPT AS SHOWN
 SCALE 6:1

THIS DRAWING IS A CONTROLLED DOCUMENT.		OWN: M. SCHMITT 17JUL2007	TE Connectivity NAME: SFP+ 1X2 CAGE ASSEMBLY PRESS FIT, EXTERNAL EMI SPRINGS
DIMENSIONS: mm		CHK: M. SCHMITT 17JUL2007	
TOLERANCES UNLESS OTHERWISE SPECIFIED:		APPD: B. WERTZ 17JUL2007	PRODUCT SPEC: 108-2364
0 PLC ±0.1	1 PLC ±0.1	APPLICATION SPEC: 114-13120	RESTRICTED TO: -
2 PLC ±0.1	3 PLC ±0.1	WEIGHT: -	SCALE: 6:1
4 PLC ±0.1	ANGLES ±1°	CUSTOMER DRAWING	SHEET 8 OF 9
MATERIAL: -	FINISH: -	SIZE: A100779C=2007263	REV: F

LOC	DIST	REV	DATE	BY	APPV
GP	00				



DETAIL D
SCALE 12:1

2007263-7
 RECOMMENDED PCB CONFIGURATION WITH KEEP-OUT AREAS FOR BELLY TO BELLY APPLICATIONS
 SAME AS SINGLE SIDE APPLICATION, EXCEPT AS SHOWN
 SCALE 6:1

THIS DRAWING IS A CONTROLLED DOCUMENT.		OWN M. SCHMITT	17JUL2007	TE Connectivity NAME SFP+ 1X2 CAGE ASSEMBLY PRESS FIT, EXTERNAL EMI SPRINGS
DIMENSIONS:		CHK M. SCHMITT	17JUL2007	
mm	TOLERANCES UNLESS OTHERWISE SPECIFIED:	APPV B. WERTZ	17JUL2007	SIZE 108-2364
0 PLC ±0.1 1 PLC ±0.1 2 PLC ±0.1 3 PLC ±0.1 4 PLC ±0.1 ANGLES ±1°				APPLICATION SPEC
MATERIAL	FINISH			114-13120
				WEIGHT
				SCALE 6:1
				SHEET 9 OF 9
				REV F