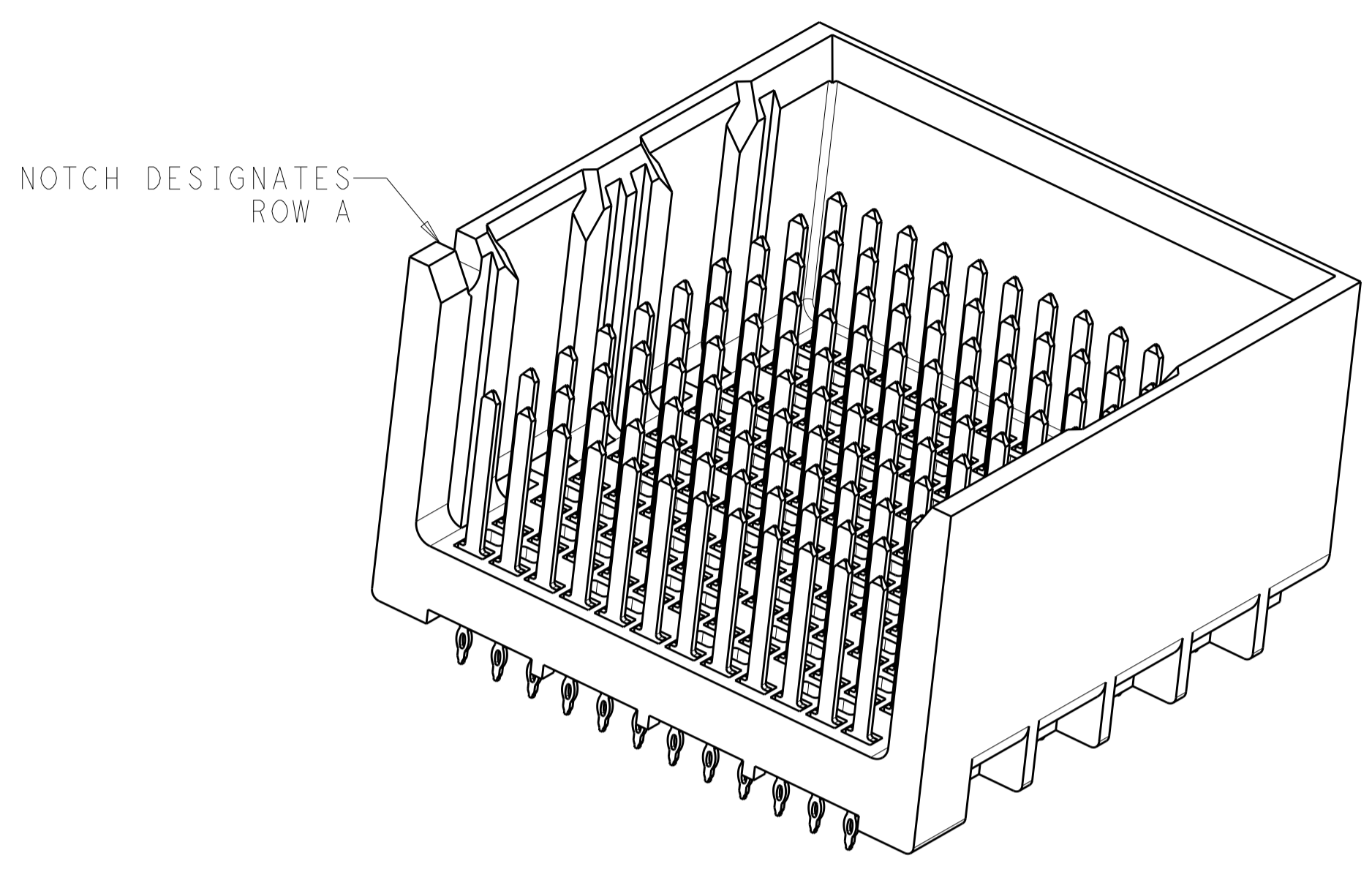
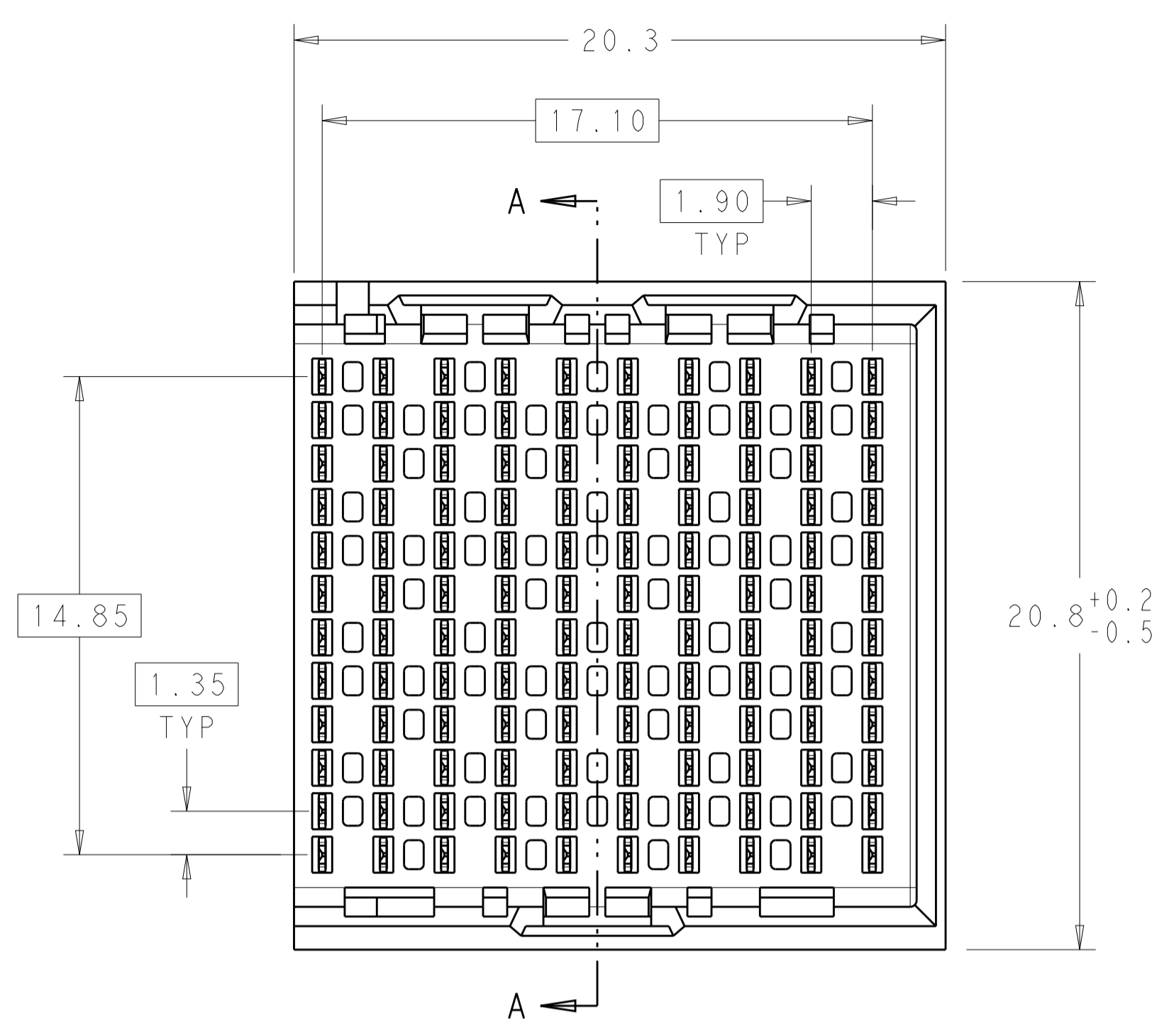
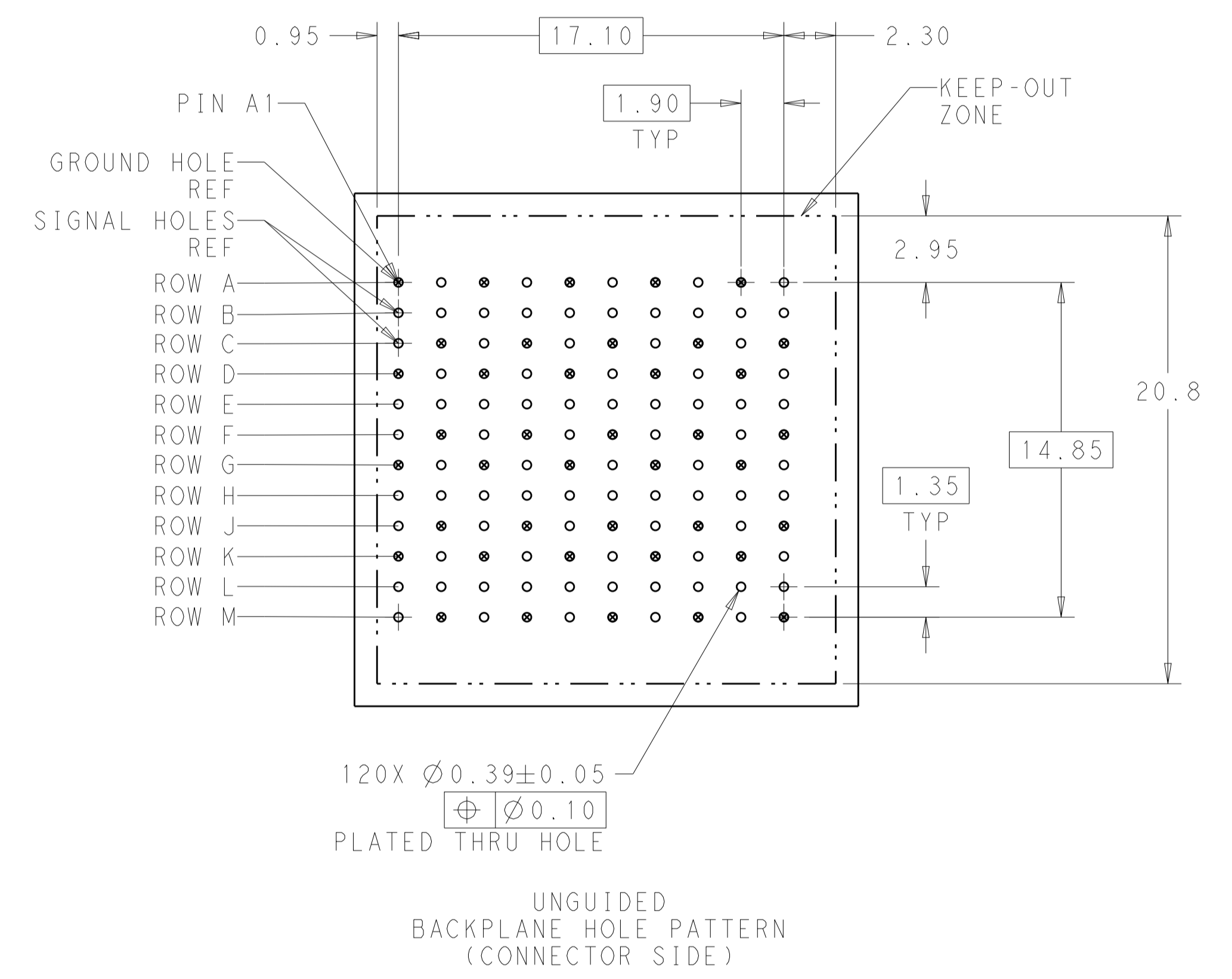
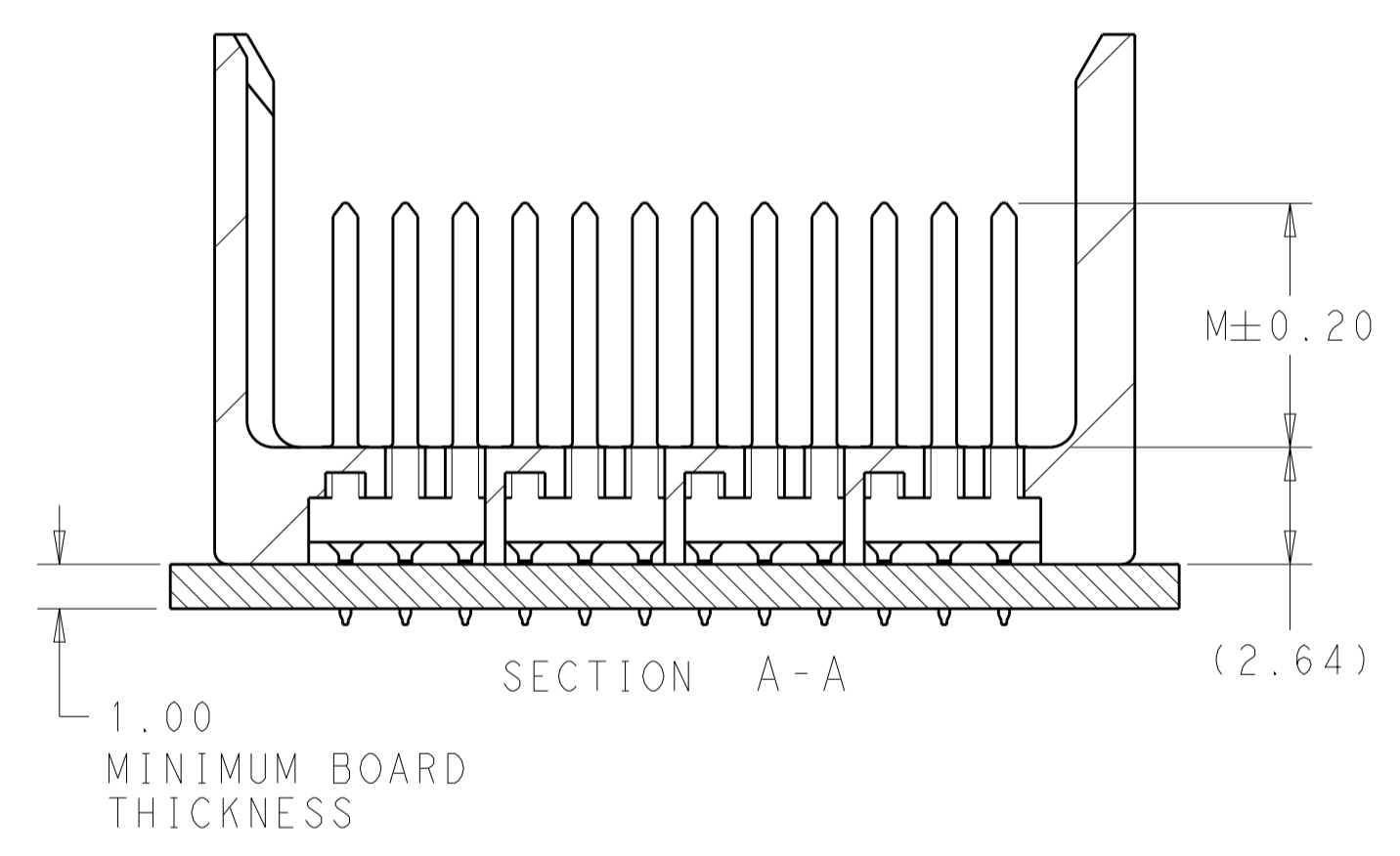
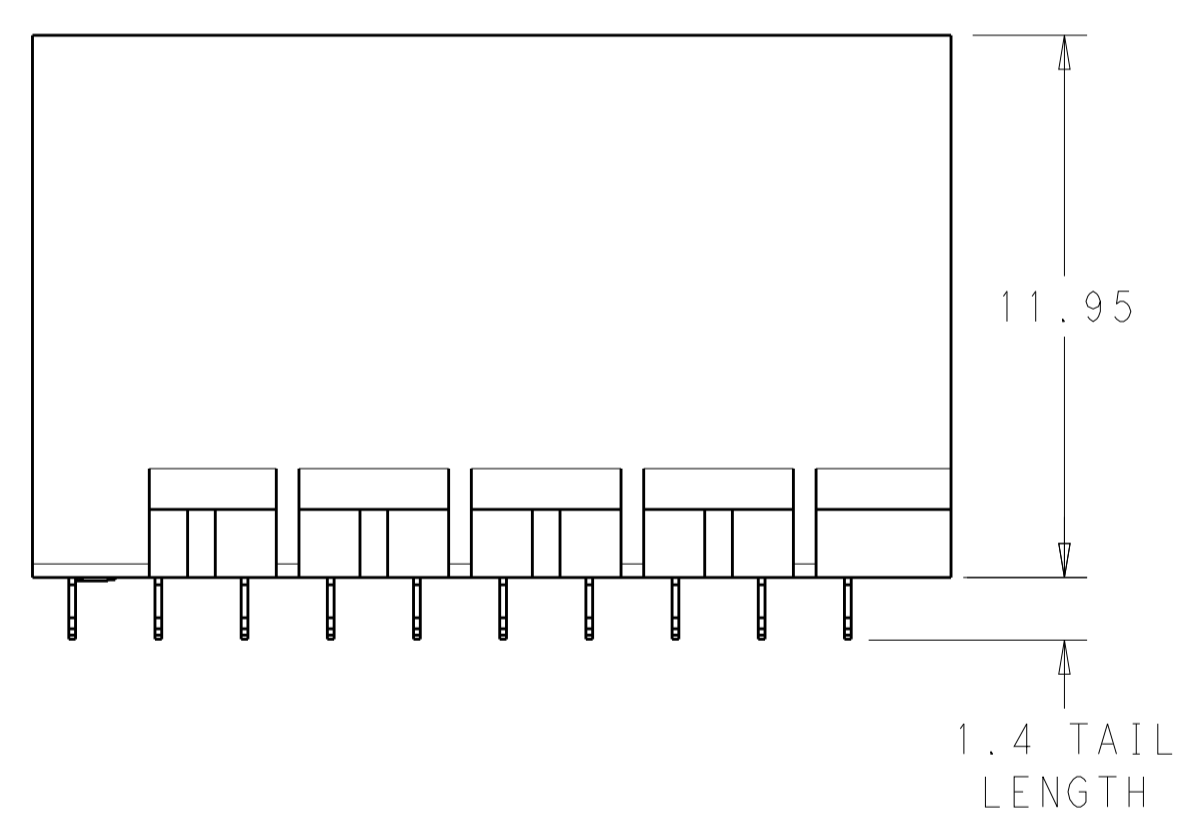


LOC		DIST		REVISIONS			
AD	00	P	LTN	DESCRIPTION	DATE	DMN	APVD
		B2		REVISED PER ECR-17-007294	22MAY2017	A, S	S, Y



- ① MATERIAL:
HOUSING: LCP, GLASS FILLED, UL94V-0.
TERMINALS: HIGH PERFORMANCE COPPER ALLOY.
- ② FINISH:
30μ" MIN GOLD IN CONTACT AREA. SELECTIVE TIN ON PCB TAILS, NICKEL OVERALL.
- ③ FINISH:
30μ" MIN GOLD IN CONTACT AREA. SELECTIVE TIN-LEAD ON PCB TAILS, NICKEL OVERALL.



③	5.5	2007823-6
③	4.9	2007823-5
③	4.5	2007823-4
②	5.5	2007823-3
②	4.9	2007823-2
②	4.5	2007823-1
FINISH	DIM M	PART NUMBER

REFER TO WWW.TE.COM FOR PRODUCT AVAILABILITY

THIS DRAWING IS A CONTROLLED DOCUMENT.		DMN J. K. SHOBER 13JAN2011	TE Connectivity
DIMENSIONS: mm		CHK J. EARY 13JAN2011	
TOLERANCES UNLESS OTHERWISE SPECIFIED:		APVD J. EARY 13JAN2011	NAME IMPACT, 4 PAIR, 10 COLUMN, HEADER
0 PLC ±0.25	1 PLC ±0.13	PRODUCT SPEC	UNGUIDED, RIGHT END WALL
2 PLC ±0.13	3 PLC ±0.13	APPLICATION SPEC	SIGNAL MODULE, 0.39 PTH
4 PLC ±0.13	ANGLES ±0.13	SIZE CAGE CODE DRAWING NO	RESTRICTED TO
MATERIAL	FINISH SEE TABLE	WEIGHT	A100779C=2007823
CUSTOMER DRAWING		SCALE 6:1	SHEET 1 OF 1 REV B2