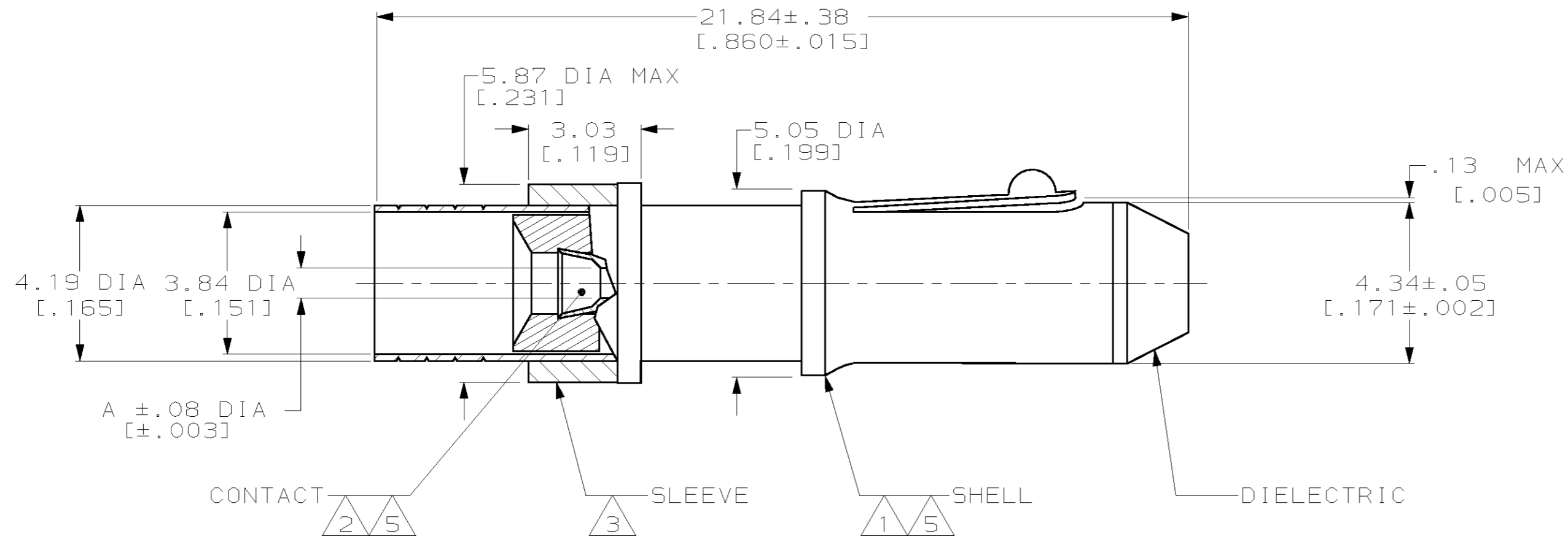


THIS DRAWING IS UNPUBLISHED. RELEASED FOR PUBLICATION
 BY AMP INCORPORATED, ALL RIGHTS RESERVED.

LOC	DIST	REVISIONS			
P	LTR	DESCRIPTION	DATE	DWN	APVD
AJ	16	AK	REVISED PER EC 0514-0288-02	18DEC02	DD KW

- 1 BRASS PER QQ-B-626
- 2 BERYLLIUM COPPER PER ASTM-B-196
- 3 NYLON PER ASTM-D-4066, BLACK
- 4 POLYMETHYLPENTENE GENERAL PURPOSE, NATURAL
- 5 .00076 [.00030] MINIMUM GOLD PER MIL-G-45204
- 6 WEIGHT 201097-1 = .001935 LB AND 201097-7 = .001831 LB
- 7. SEE INSTRUCTION SHEET 1770
- 8 POLYESTER PER ASTM-D-3221, NATURAL



0.81 [.032]	4	201097-1
A	DIELECTRIC MATERIAL	PART NUMBER

THIS DRAWING IS A CONTROLLED DOCUMENT.		DWN J. KURTZ 14 DEC 89	AMP TYCO Electronics Harrisburg, PA 17105-3608	
DIMENSIONS: mm [INCHES]		CHK M. SNEED 22 FEB 90	NAME CONTACT ASSEMBLY, PIN, MINATURE	
TOLERANCES UNLESS OTHERWISE SPECIFIED:		APVD B. ADAMS 22 FEB 90	PRODUCT SPEC -	
0 PLC ±-		APPLICATION SPEC -	SIZE CAGE CODE DRAWING NO RESTRICTED TO	
1 PLC ±-		WEIGHT 6 -	A2 00779 C-201097	
2 PLC ±0.20 [.008]		CUSTOMER DRAWING	SCALE 8:1 SHEET 1 OF 1 REV AK	
3 PLC ±-				
4 PLC ±-				
ANGLES ±-				
MATERIAL SEE NOTES		FINISH SEE NOTES		

201097