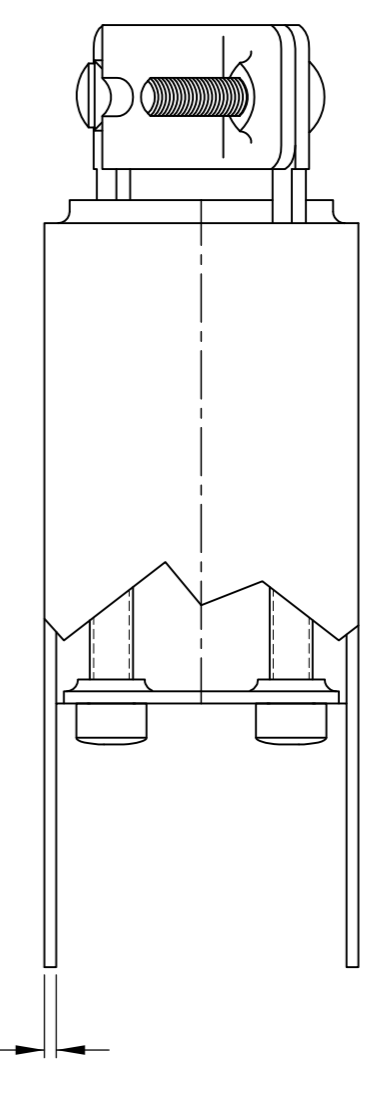
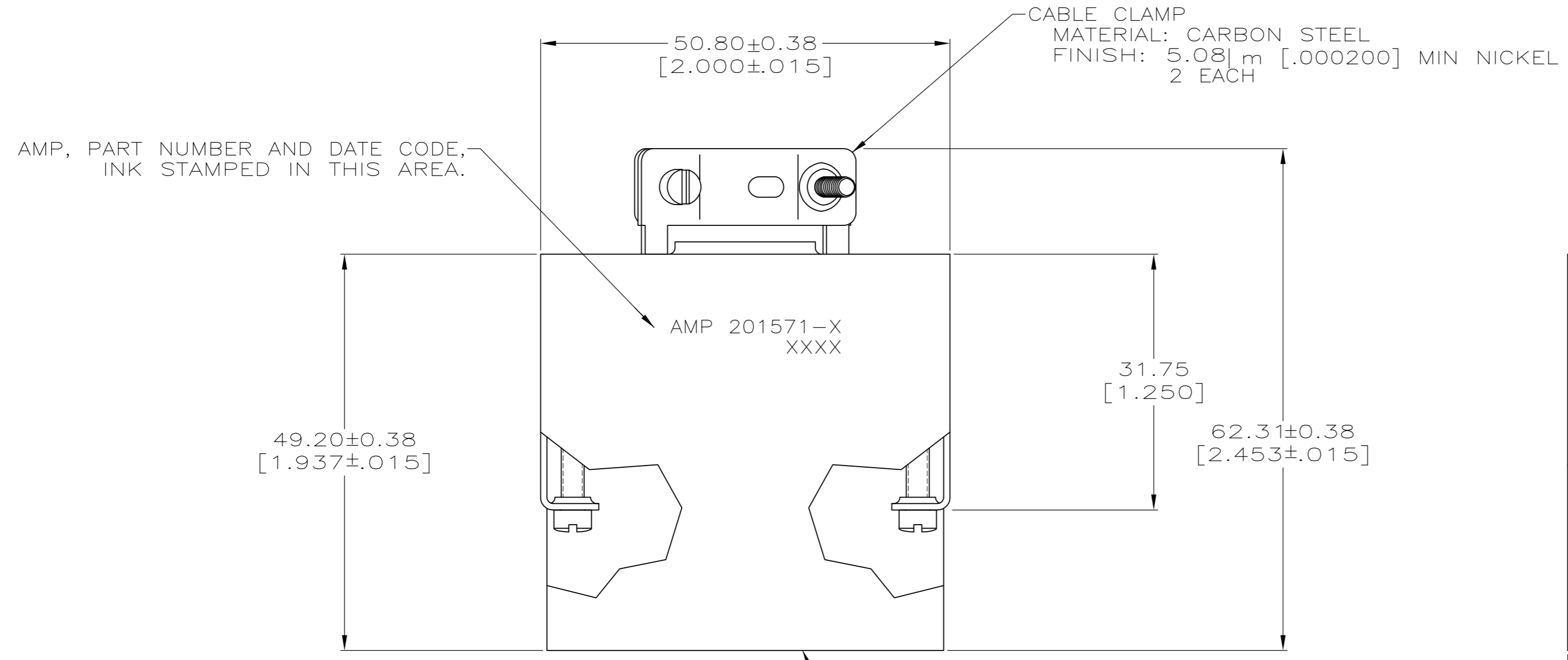
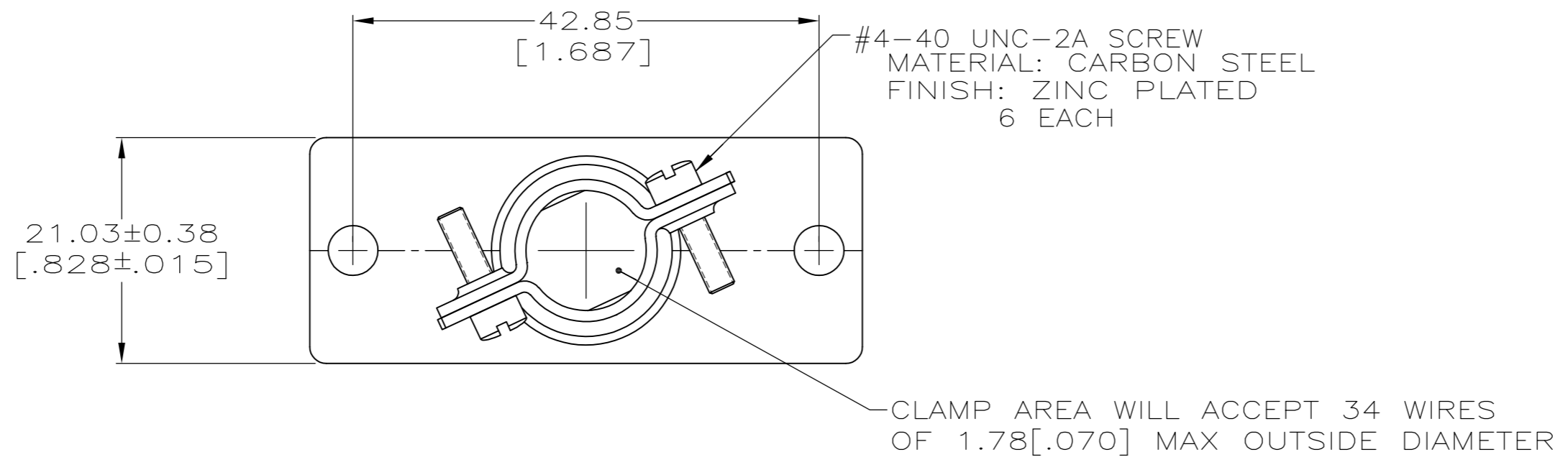


THIS DRAWING IS UNPUBLISHED. RELEASED FOR PUBLICATION
 © COPYRIGHT - By - ALL RIGHTS RESERVED.

LOC		DIST		REVISIONS			
P	LTR	DESCRIPTION	DATE	DWN	APVD		
BD	36	E1	REVISED PER ECO-13-008672	30AUG2013	KH	DR	



FINISH	MATERIAL	PART NO
5.08µm [.000200] MIN NICKEL	CARBON STEEL	201571-2
CLEAR ANODIZED	ALUMINUM ALLOY	201571-1

THIS DRAWING IS A CONTROLLED DOCUMENT.

DWN	D.HARDY	10-21-94
CHK	R.STONE	10-27-94
APVD	T.COULSON	01-26-95

STE TE Connectivity

NAME: SHIELD KIT, UNASSEMBLED, LONG, 34 POSITION, M SERIES

SIZE	CAGE CODE	DRAWING NO	RESTRICTED TO
A2	00779	C=201571	-

MATERIAL: SEE CALLOUTS
 FINISH: SEE CALLOUTS
 WEIGHT: -
 CUSTOMER DRAWING
 SCALE: 2:1
 SHEET: 1 of 1
 REV: E1

201571