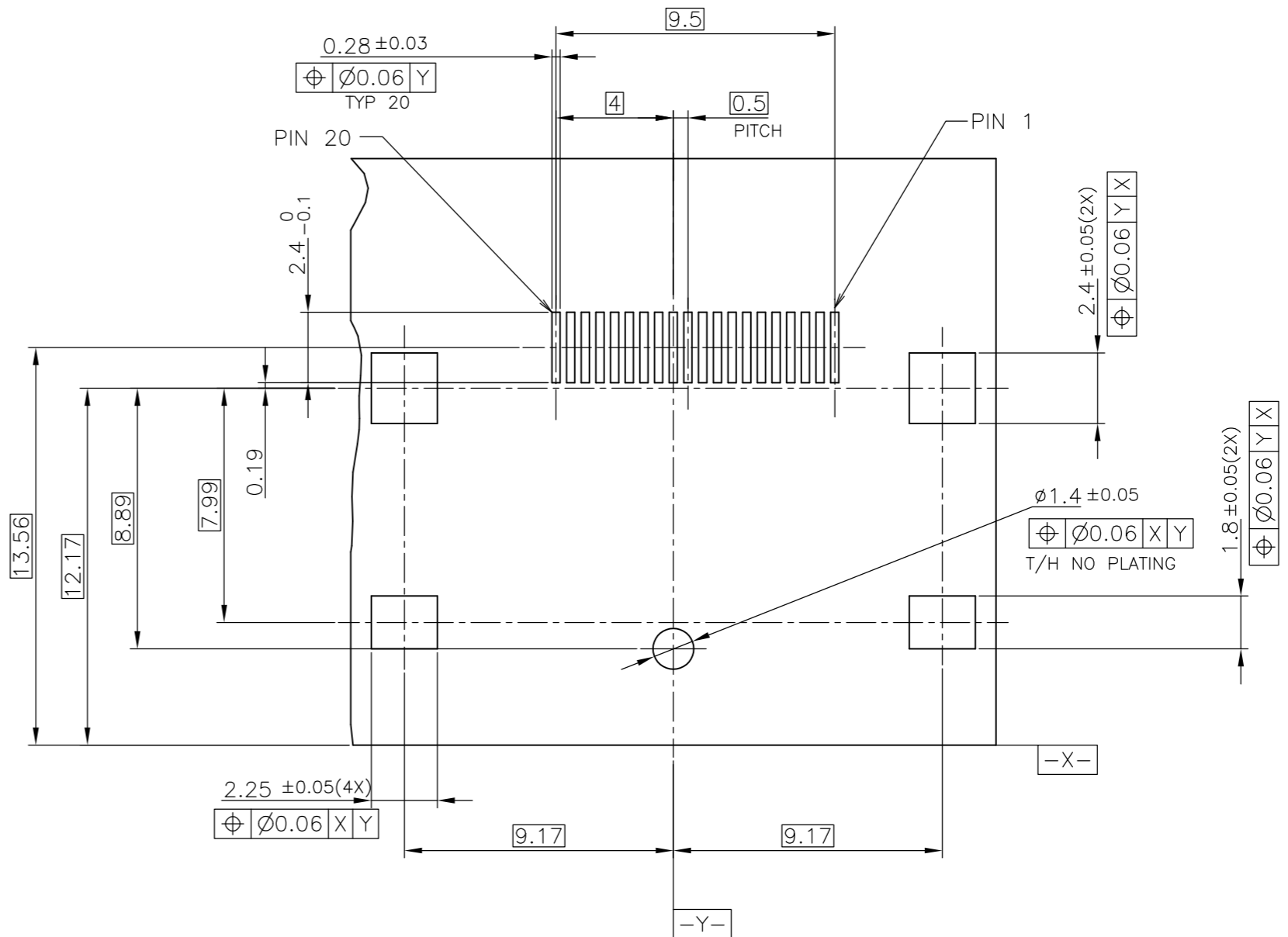
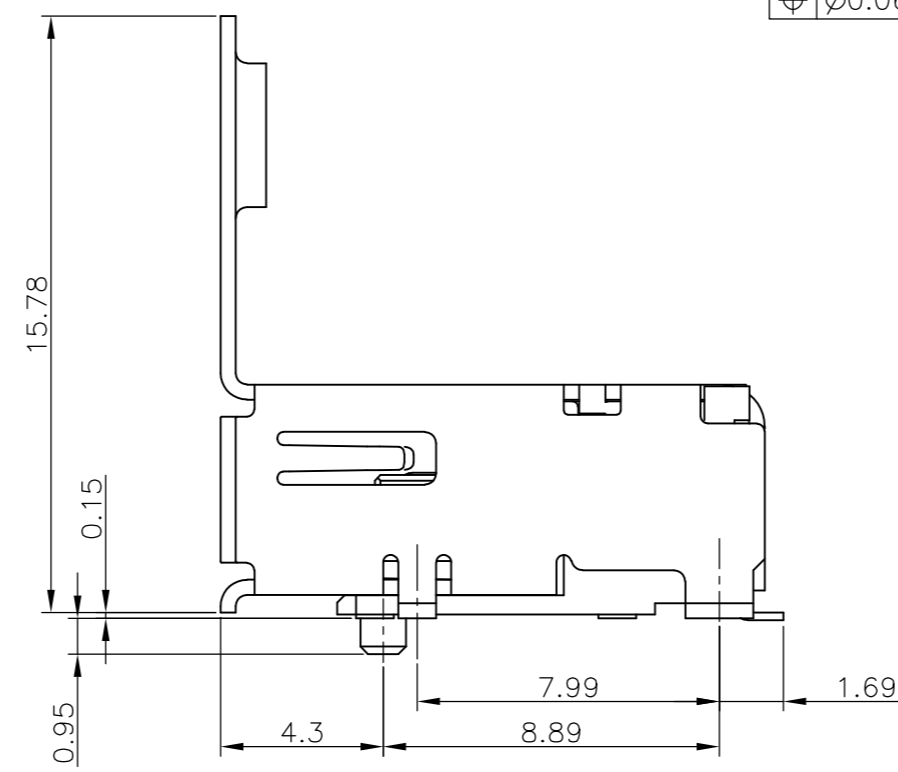
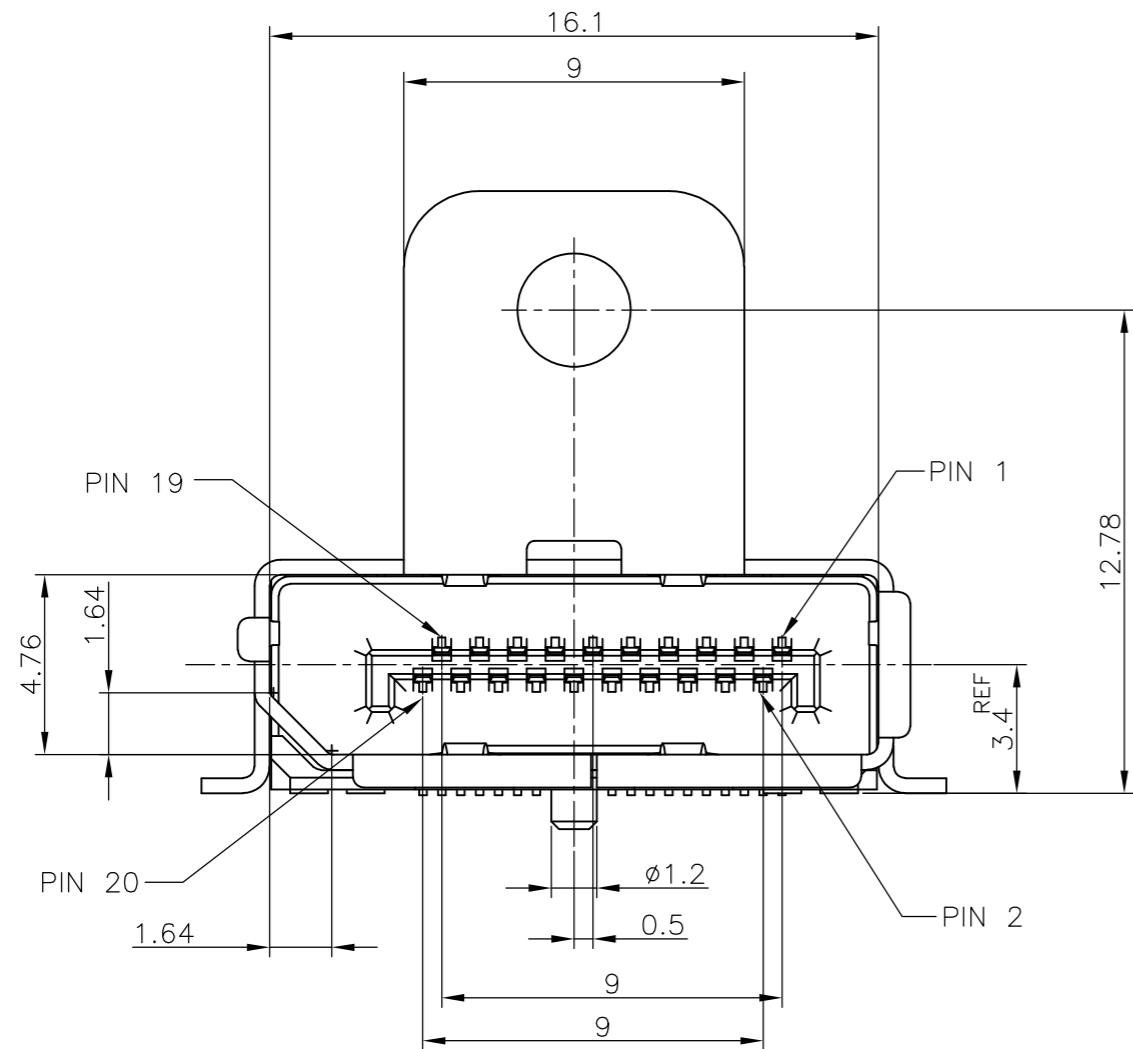
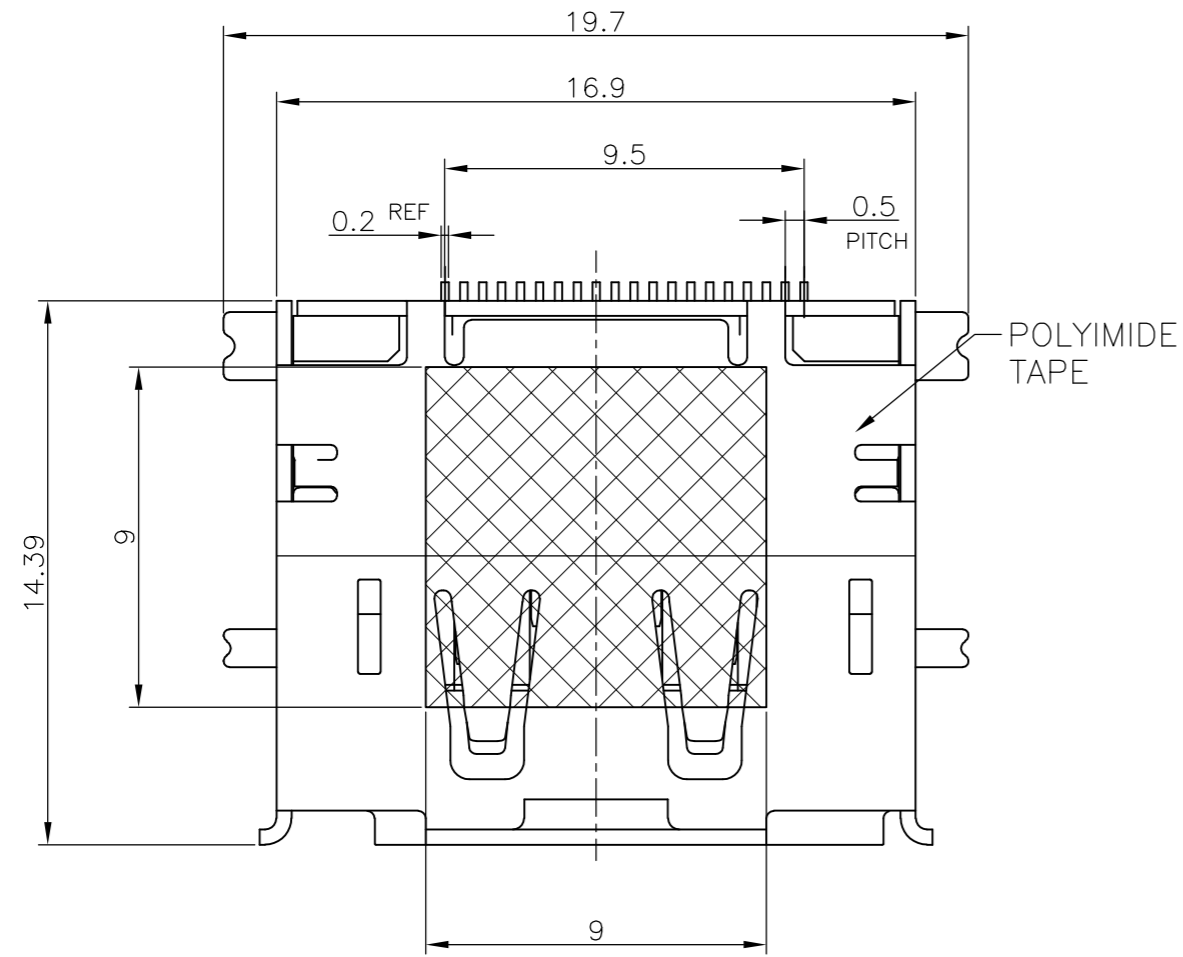


THIS DRAWING IS UNPUBLISHED. RELEASED FOR PUBLICATION JUL ,2008.
 © COPYRIGHT 2008 BY TYCO ELECTRONICS CORPORATION. ALL RIGHTS RESERVED.

LOC	DIST	REVISONS					
DW		P	LTR	DESCRIPTION	DATE	DWN	APVD
		D1		REVISED (ECR-15-018779)	1APR2016	A.X	H.W

P/N:5-2040247-5; AS SHOWN



RECOMMENDED PCB LAYOUT MOUNTING SIDE

- △ MATERIAL:
 HOUSING: HIGH TEMPERATURE THERMAL PLASTIC, BLACK, UL94V-0
 CONTACT: COPPER ALLOY
 SHELL: COPPER ALLOY
- △ FINISH:
 CONTACT: CONTACT AREA: 0.76 MINIMUM MICRON GOLD PLATING OVER
 1.27 MINIMUM MICRON NICKEL PLATING ALL
 SOLDER TAIL AREA: 2.54 MINIMUM MICRON MATTE TIN PLATING.
 SHELL: MATTE TIN PLATING.

- 3 THIS PRODUCT IS PACKED IN REEL.
- 4 HALOGEN FREE.

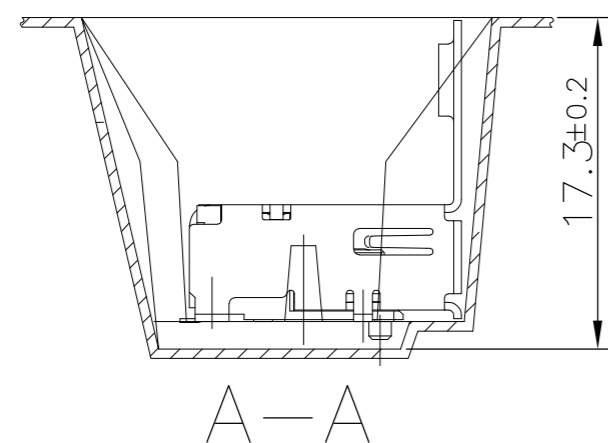
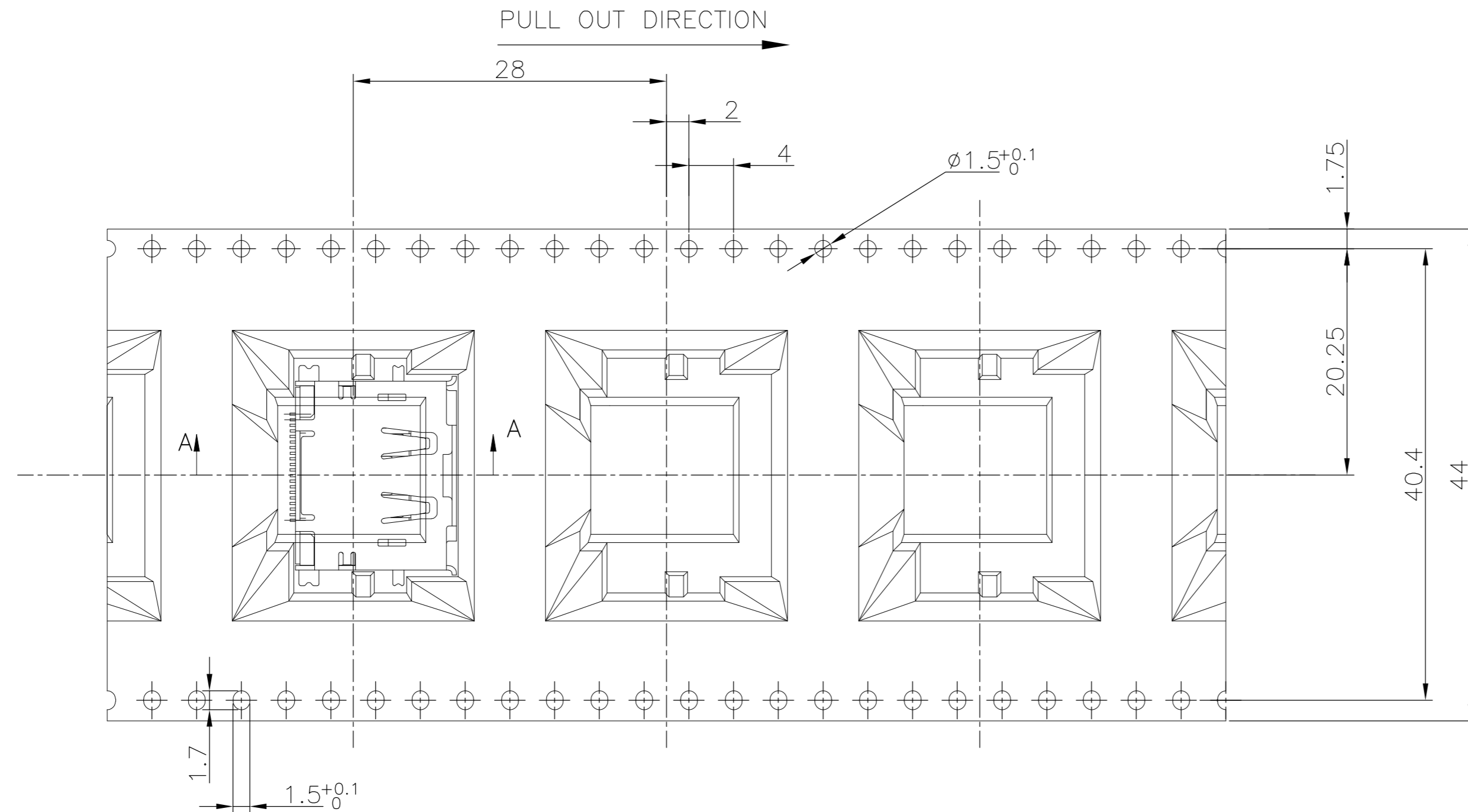
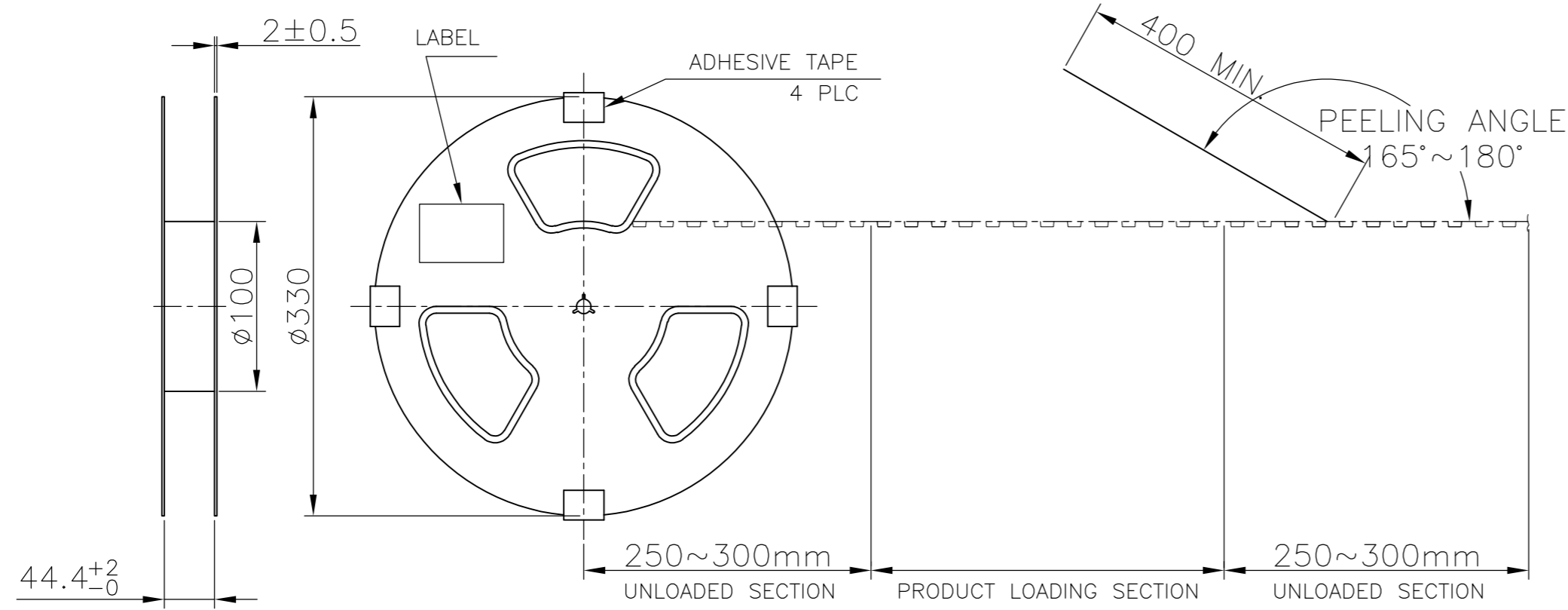
OBSELETE	WITH	5-2040247-5
	WITHOUT	2040247-5
	POLYIMIDE TAPE	PART NUMBER

THIS DRAWING IS A CONTROLLED DOCUMENT.		DWN	15FEB2008	Tyco Electronics Corporation	
DIMENSIONS: 単位: 耗 mm		CHK	15FEB2008	Kawasaki, Japan	
TOLERANCES UNLESS OTHERWISE SPECIFIED: 一般公差		APVD	15FEB2008	NAME 名称	
0 PLC ± 0.3	1 PLC ± 0.3	T.KUSUHARA		RECEPTACLE ASSEMBLY	
2 PLC ± 0.3	3 PLC ± 0.3	T.KUSUHARA		DISPLAYPORT RA SMT STD	
4 PLC ± 0.3	ANGLES ± 2°	108-78515		SMT-LEG WITH FLANGE	
MATERIAL 材料	FINISH 仕上	WEIGHT	2.82g	SIZE	A2
		CUSTOMER DRAWING		CAGE CODE	00779
				DRAWING NO	C=2040247
				RESTRICTED TO	
				SCALE	5:1
				SHEET	1 of 3
				REV	D1

THIS DRAWING IS UNPUBLISHED. RELEASED FOR PUBLICATION JUL , 2008.
 © COPYRIGHT 2008 BY TYCO ELECTRONICS CORPORATION. ALL RIGHTS RESERVED.

LOC		DIST		REVISIONS			
DW		/		変更	変更	変更	変更
P	LTR	DESCRIPTION	DATE	DWN	APVD		
-	-	SEE SHEET 1	-	-	-		

PCAKING FOR 2040247-5

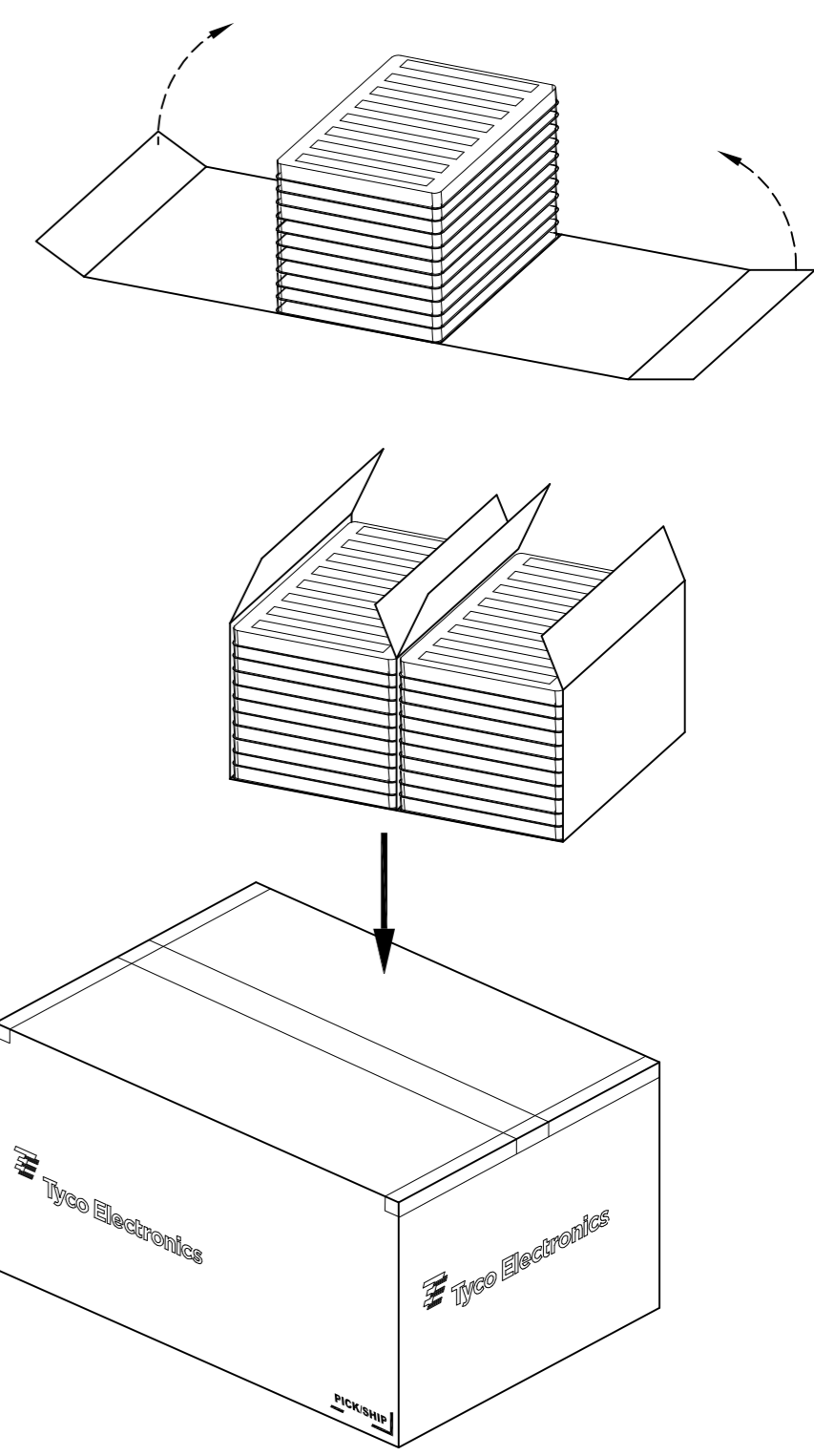
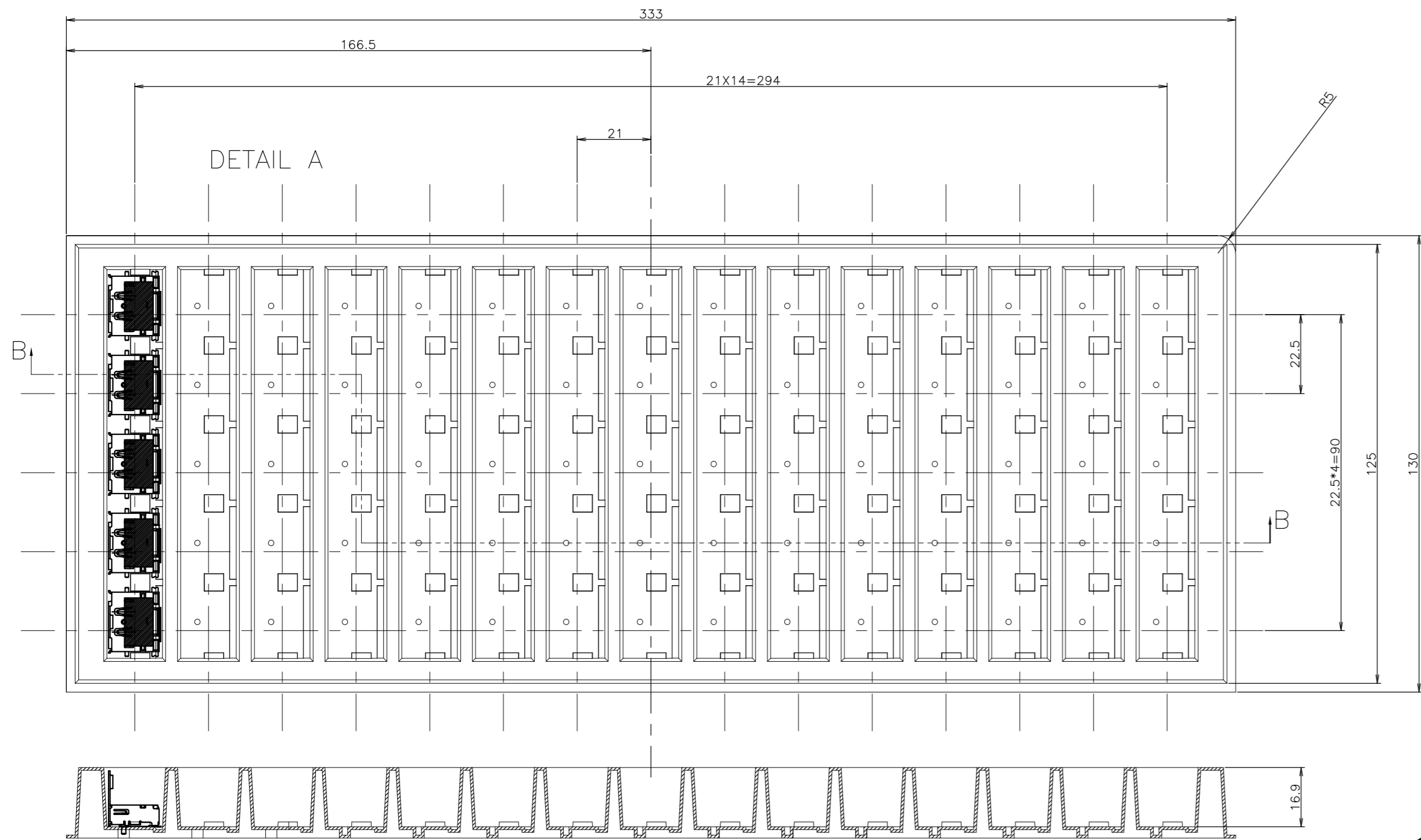


THIS DRAWING IS A CONTROLLED DOCUMENT.		DWN	Tyco Electronics Corporation Kawasaki, Japan	
DIMENSIONS: 単位: 概 mm		CHK	NAME 名称	
TOLERANCES UNLESS OTHERWISE SPECIFIED: 一般公差		APVD	RECEPTACLE ASSEMBLY DISPLAYPORT RA SMT STD SMT-LEG WITH FLANGE	
0 PLC ± 0.3 1 PLC ± 0.3 2 PLC ± 0.3 3 PLC ± 0.3 4 PLC ± 0.3 ANGLES $\pm 2^\circ$		PRODUCT SPEC 製品規格	SIZE A2	CAGE CODE 00779
MATERIAL 材料		APPLICATION SPEC 取付適用規格	DRAWING NO. 番号 C=2040247	RESTRICTED TO
FINISH 仕上		WEIGHT	SCALE 尺度 NTS	SHEET 2 of 3
CUSTOMER DRAWING		REV D1		

THIS DRAWING IS UNPUBLISHED. RELEASED FOR PUBLICATION JUL ,2008.
 © COPYRIGHT 2008 BY TYCO ELECTRONICS CORPORATION. ALL RIGHTS RESERVED.

LOC	DIST	REVISIONS					
DW		P	LTR	DESCRIPTION	DATE	DWN	APVD
		-	-	SEE SHEET 1	-	-	-

PACKING FOR 5-2040247-5



OBSOLETE

- 1. PACKING MATERIAL :
 - 1.1 TRAY: PS
 - 1.2 SHIPPING CARTON: CORRUGATED FIBER
- 2. QUANTITY :
 - 2.1 PRIMARY PACKING: 75 PCS/TRAY
 - 2.2 SECONDARY PACKING: 20 TRAY (1500 PCS)/BOX

THIS DRAWING IS A CONTROLLED DOCUMENT.		DWN	16FEB2008		Tyco Electronics Corporation Kawasaki, Japan
DIMENSIONS: 单位: 耗 mm		CHK			
TOLERANCES UNLESS OTHERWISE SPECIFIED: 一般公差		APVD			RECEPTACLE ASSEMBLY DISPLAYPORT RA SMT STD SMT-LEG WITH FLANGE
0 PLC ± 0.3 1 PLC ± 0.3 2 PLC ± 0.3 3 PLC ± 0.3 4 PLC ± 0.3 ANGLES ± 2°		PRODUCT SPEC	製品規格		SIZE
MATERIAL 材料		APPLICATION SPEC	取付適用規格		CAGE CODE
FINISH 仕上		WEIGHT			DRAWING NO 番号
		CUSTOMER DRAWING			A2 00779 C=2040247
		SCALE 尺度	NTS		SHEET 3 of 3
		REV	D1		RESTRICTED TO