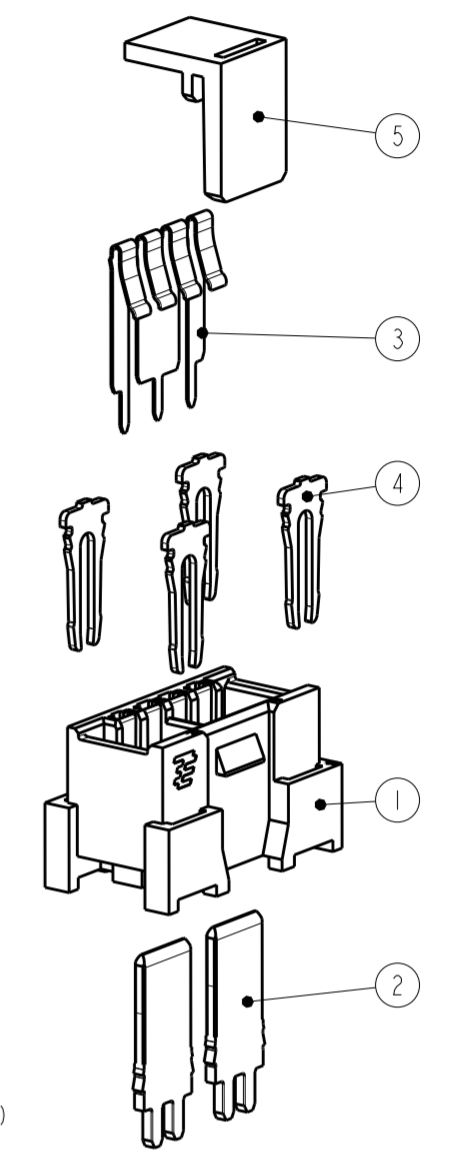
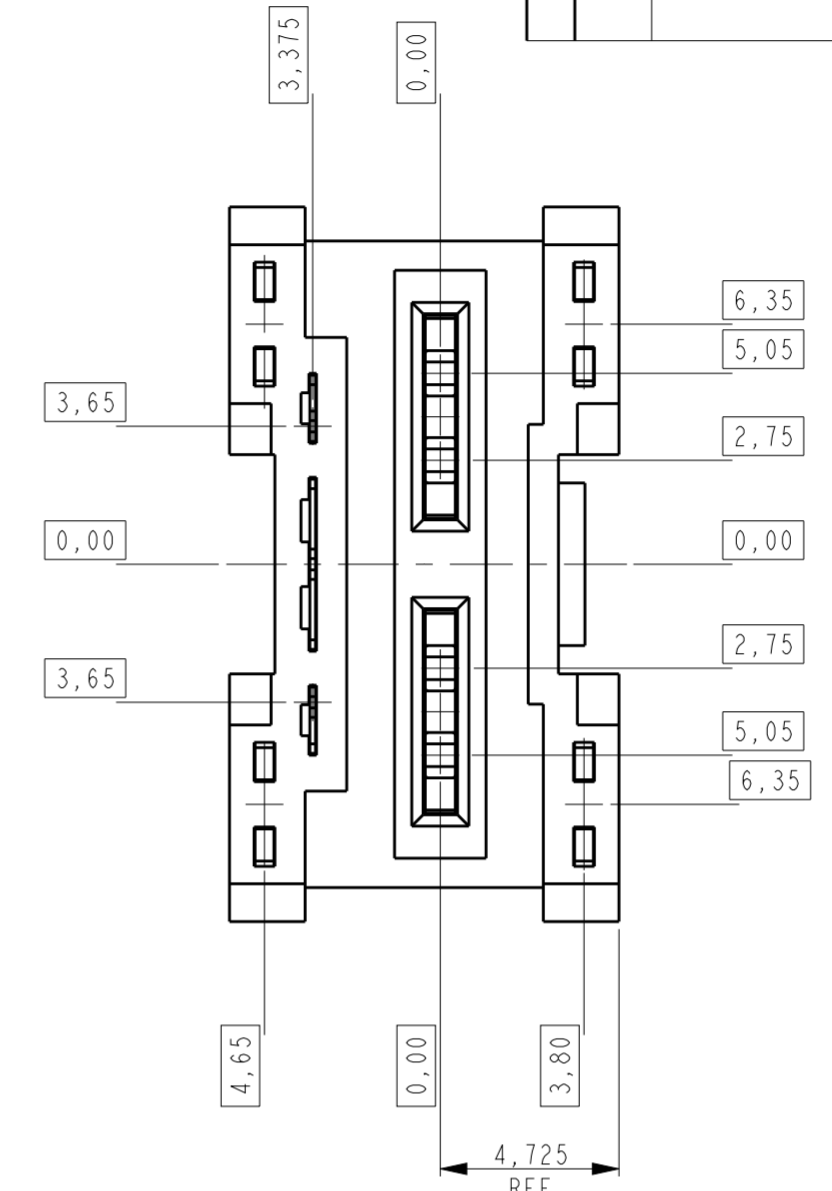
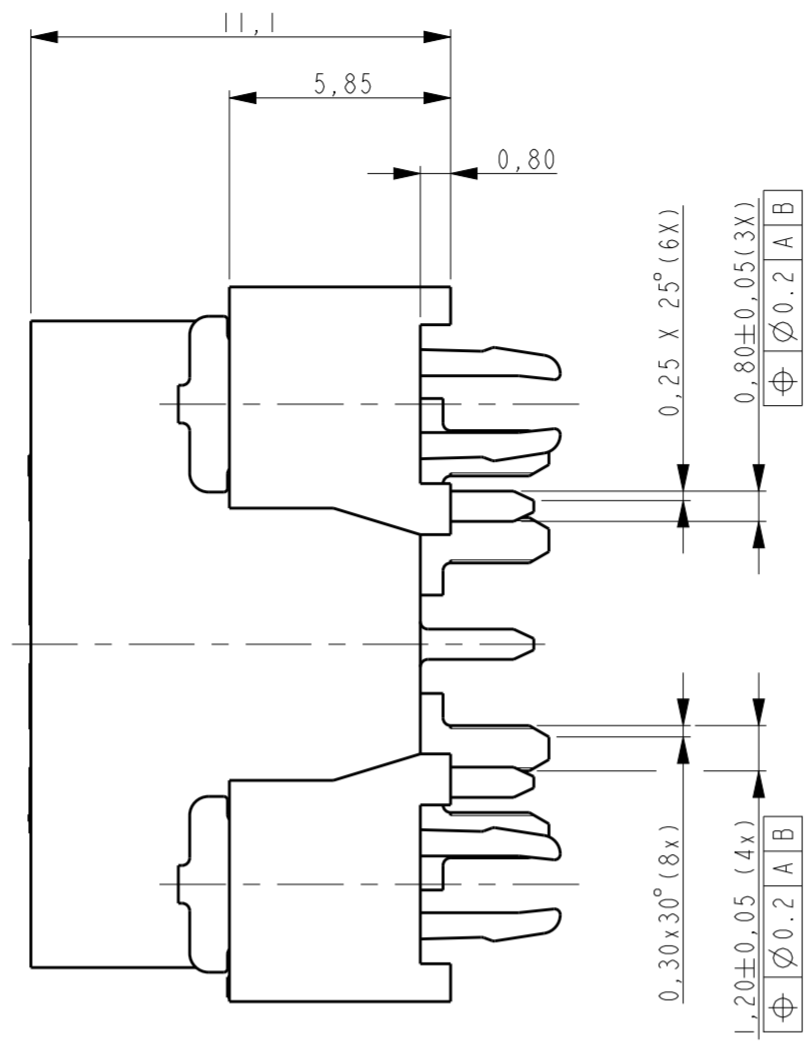
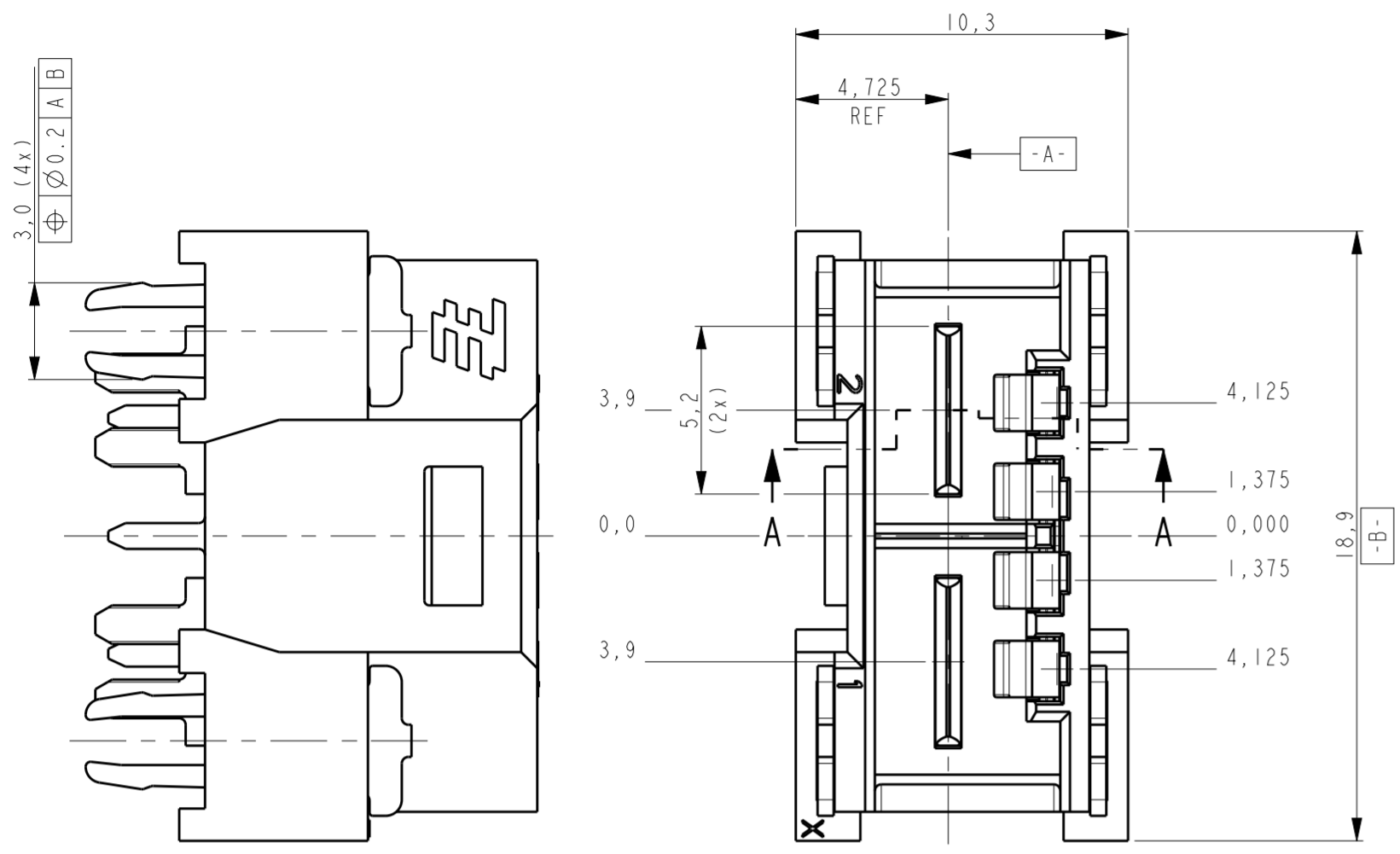
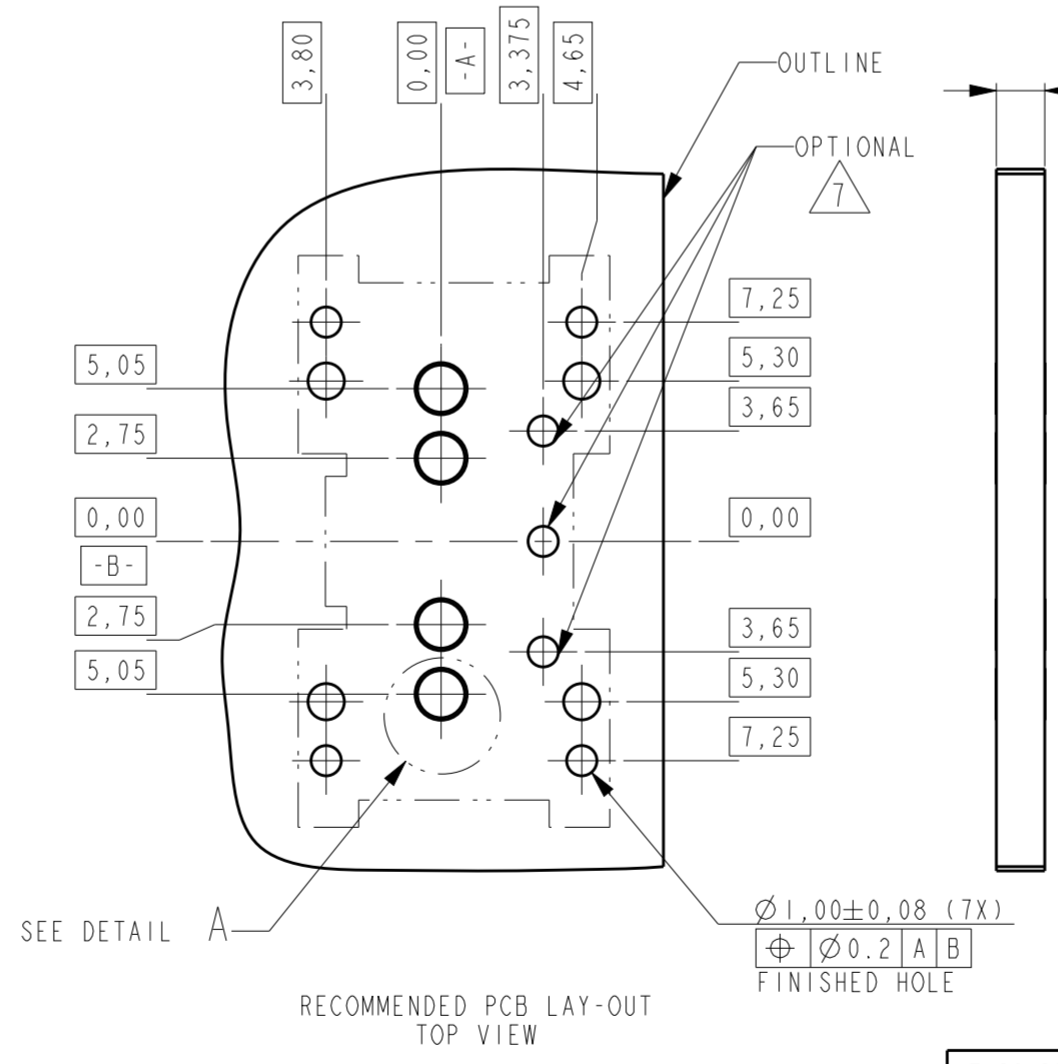
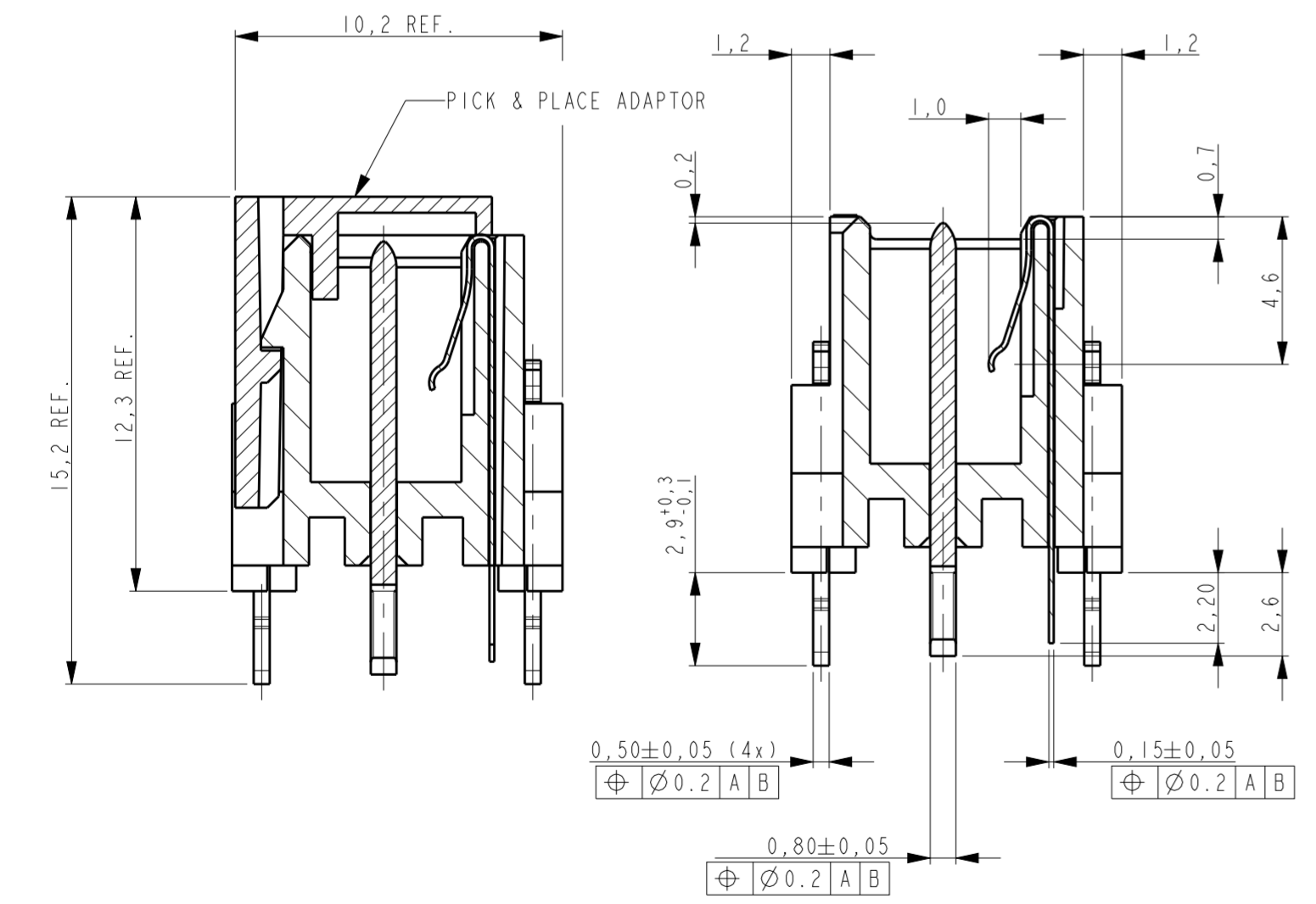


THIS DRAWING IS UNPUBLISHED. RELEASED FOR PUBLICATION
 © COPYRIGHT - TE CONNECTIVITY ALL RIGHTS RESERVED.

LOC		DIST		REVISIONS			
P	LTR	DESCRIPTION	DATE	DWN	APVD		
C5		REV PER ECO-19-012790	19AUG2019	OL	SZ		



PARTNUMBER 2042274-1 AS SHOWN



DETAIL A
 SCALE 10:1
 SOLDER TERMINATION AREA FOR POWER CONTACTS
 RECOMMENDED PRINTED CIRCUIT HOLE
 FINISHED HOLE
 DRILLED HOLE
 COPPER PLATE: 0.025 MIN (PER SURFACE)
 TIN PLATE: 0.008 MIN (PER SURFACE)

ITEM NO.	DESCRIPTION	MATERIAL	FINISH	QTY	QTY	QTY	QTY
5	PICK&PLACE ADAPTOR	POLYAMIDE	NA	-	1	1	1
4	HOLD DOWN	DINI544 CK75	5,0 µm Sn MIN OVER 2,5 µm Ni MIN ALL OVER.	4	4	4	4
3	CONTACT DETECTION	SOPPER ALLOY	0.8 µm Au MIN. IN CONTACT PLACE, Au FLASH IN SOLDER AREA OVER 1.27µm Ni MIN ALL OVER	1	1	-	1
2	CONTACT POWER TAB	COPPER ALLOY	1.2µm Ni MIN. ALL OVER 0.8µm Au MIN AT MATING ZONE 0.1-0.15 µm Au AT SOLDER ZONE	-	2	-	-
2	CONTACT POWER TAB	COPPER ALLOY	3,0 µm Ag MIN ALL OVER.	2	-	2	2
1	HOUSING	LCP GF UL94V-0	NA	1	1	1	1

ITEM NO.	DESCRIPTION	MATERIAL	FINISH	QTY	QTY	QTY	QTY
2042274-5	WITHOUT ADAPTOR			-	1	1	1
2042274-4	WITH DETECTION CONTACTS			1	1	-	1
2042274-2	WITHOUT DETECTION CONTACTS			1	1	1	1
2042274-1	WITH DETECTION CONTACTS			1	1	1	1

THIS DRAWING IS A CONTROLLED DOCUMENT.

DWN: J.VOS 22-Apr-08
 CHK: R.LOKKER 22-Apr-08
 APVD: R.V.D.SANDT

TE Connectivity
 ELCON Mini, 2-position header vertical

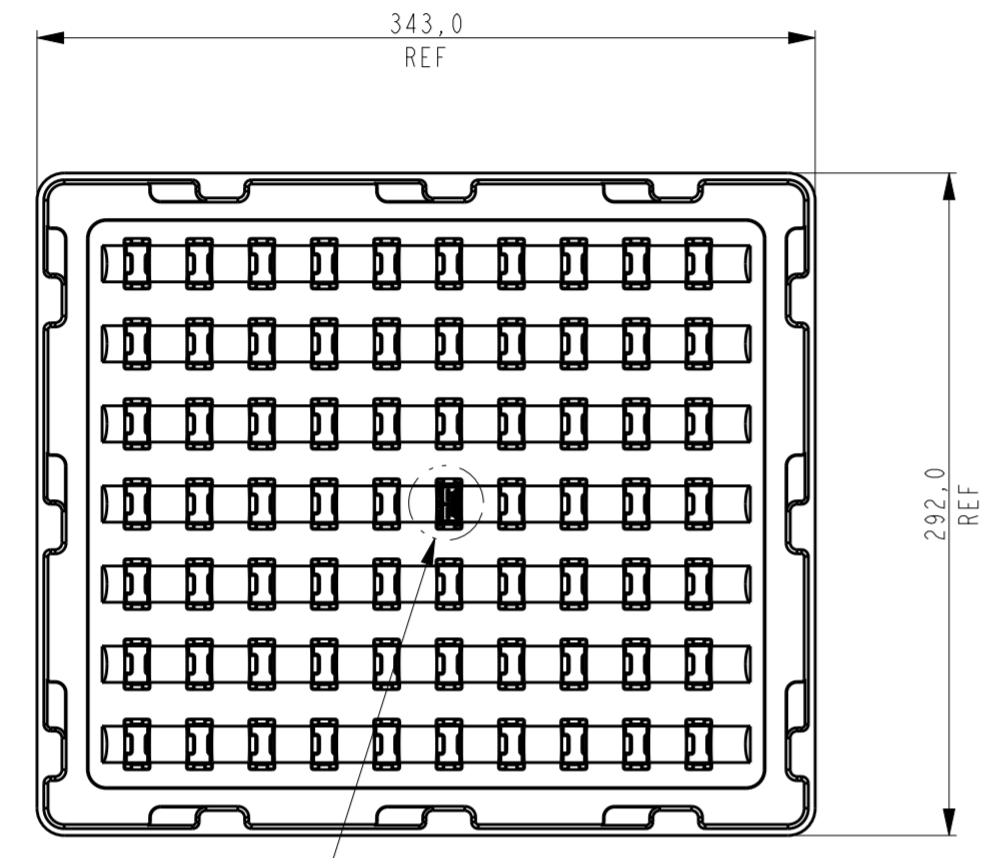
SIZE: A2 CAGE CODE: 00779 DRAWING NO: C-2042274 RESTRICTED TO: 3 REV: C5

SCALE: 5:1 SHEET: 1 OF 3

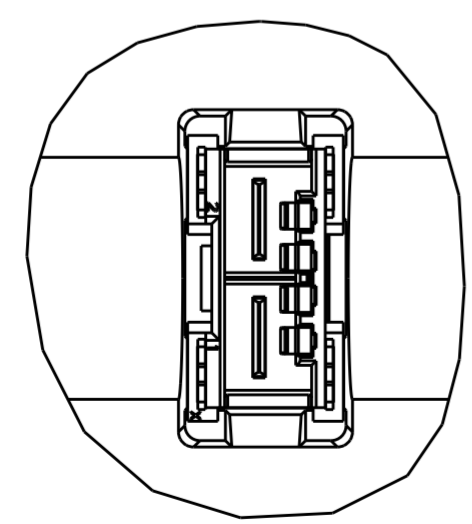
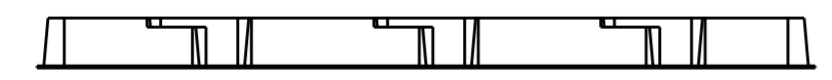
THIS DRAWING IS UNPUBLISHED. RELEASED FOR PUBLICATION
 © COPYRIGHT - TE CONNECTIVITY ALL RIGHTS RESERVED.

LOC		DIST		REVISIONS			
P	LTR	DESCRIPTION	DATE	DWN	APVD		
-	-	SEE SHEET 1	-	-	-		

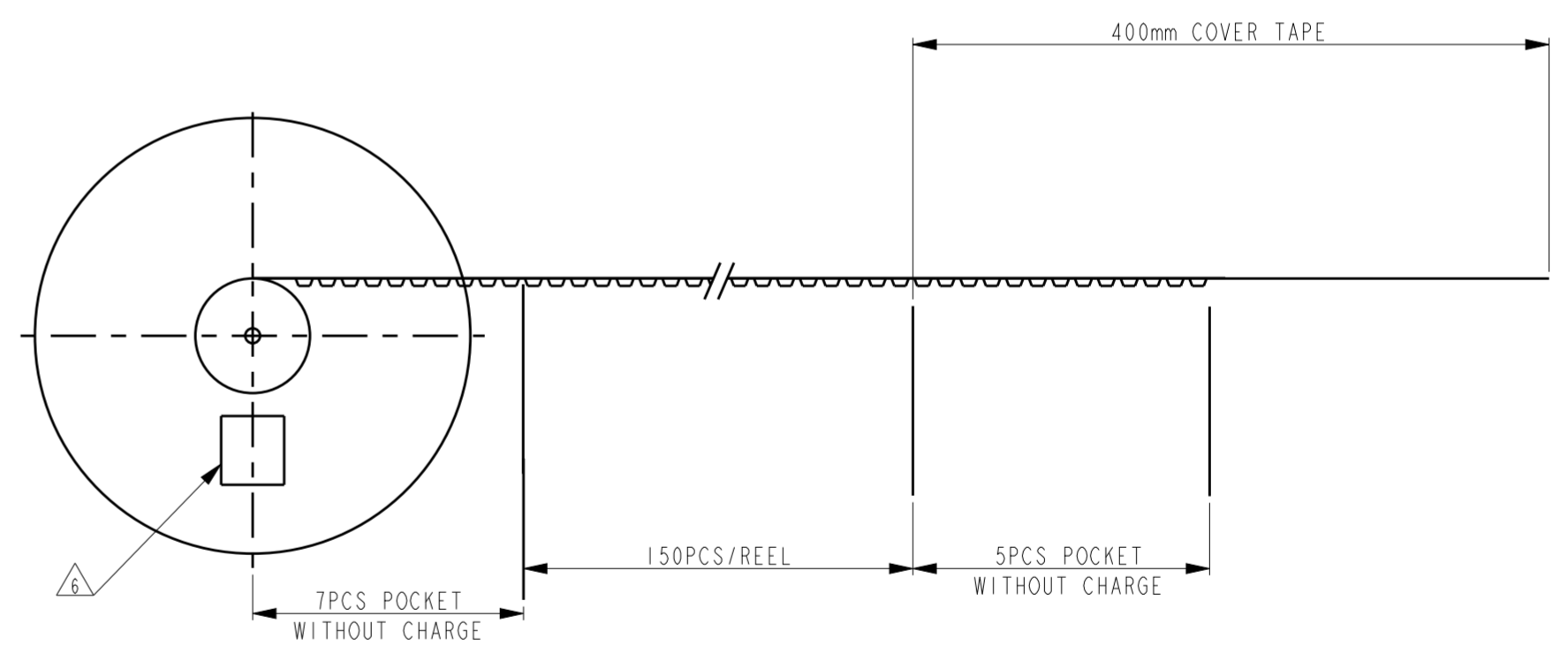
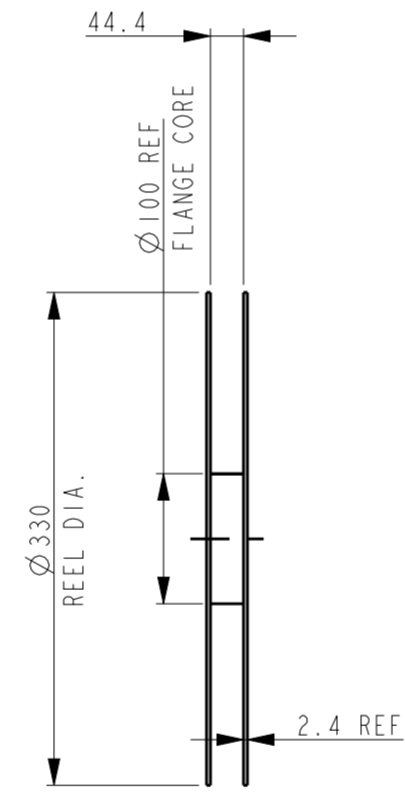
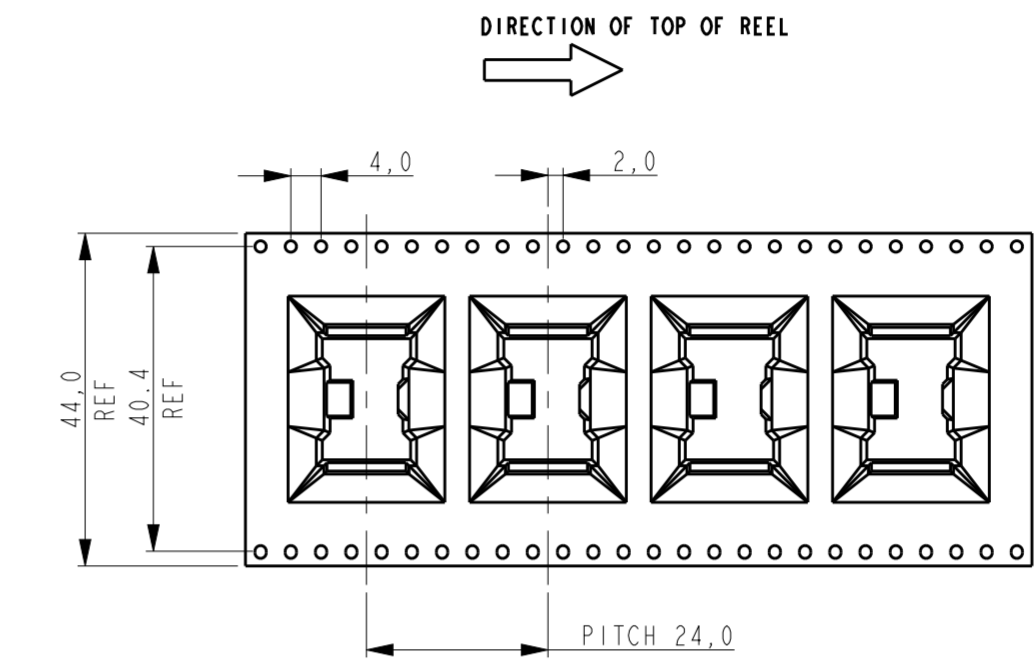
NOTES:
 1. TRAY (PN 1961242-1) PACKAGING IS ONLY FOR PN 2042274-5



SEE DETAIL B



DETAIL B

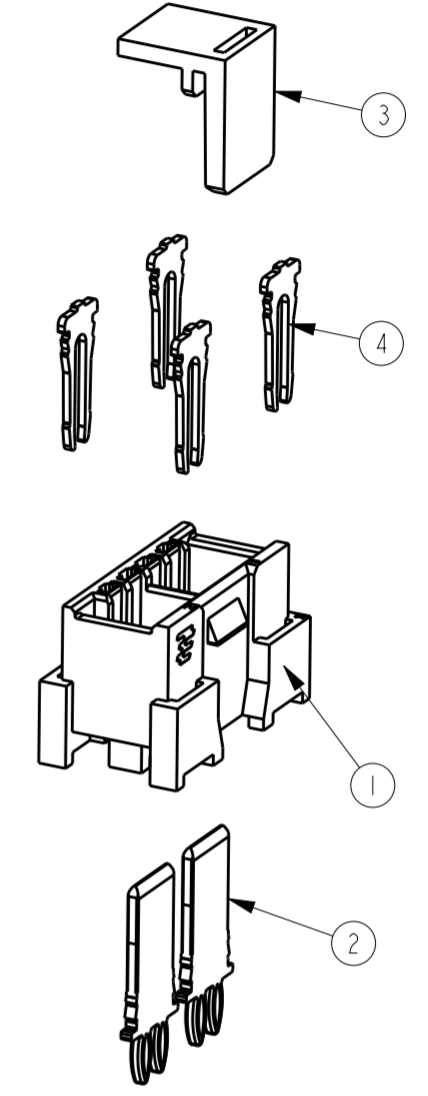
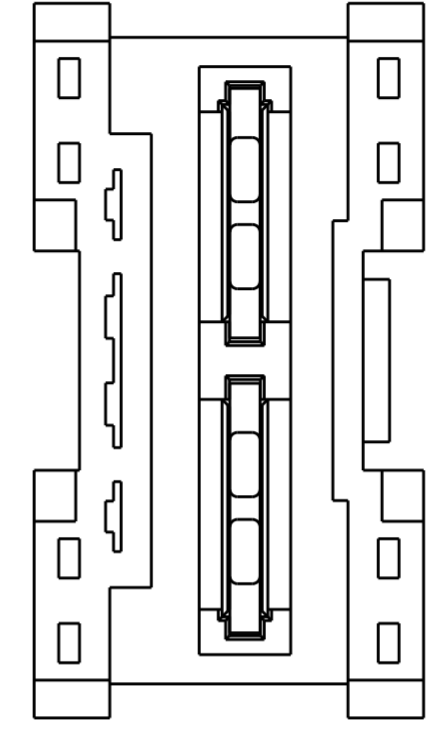
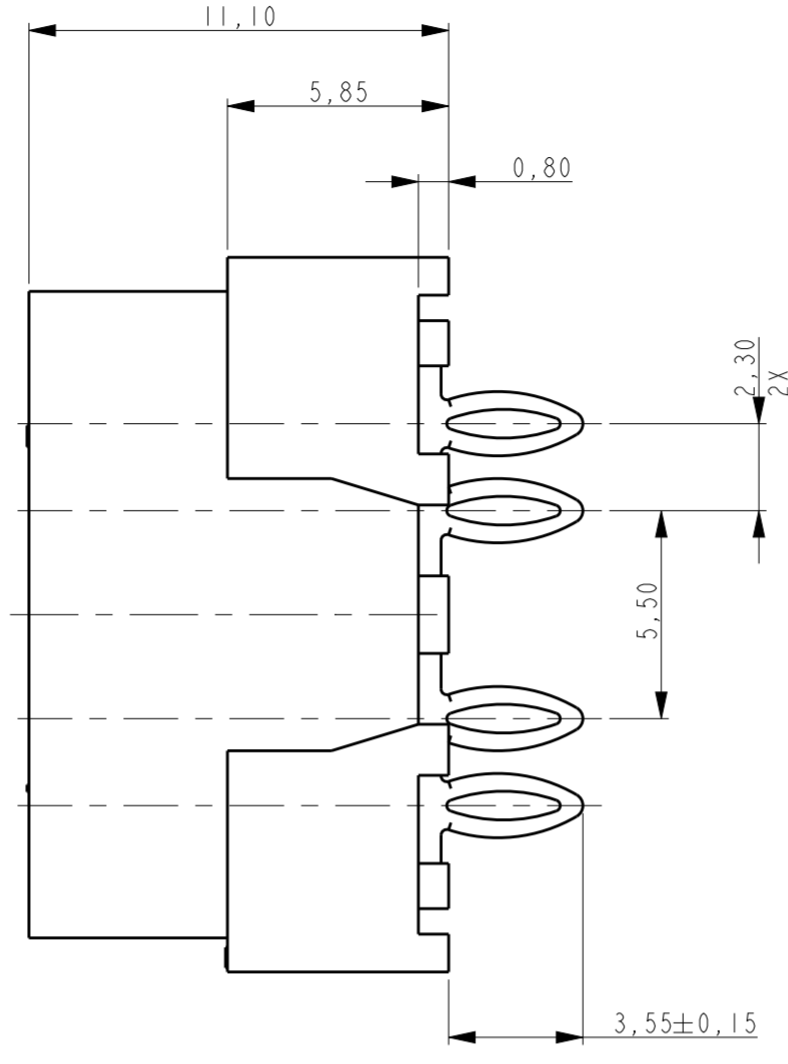
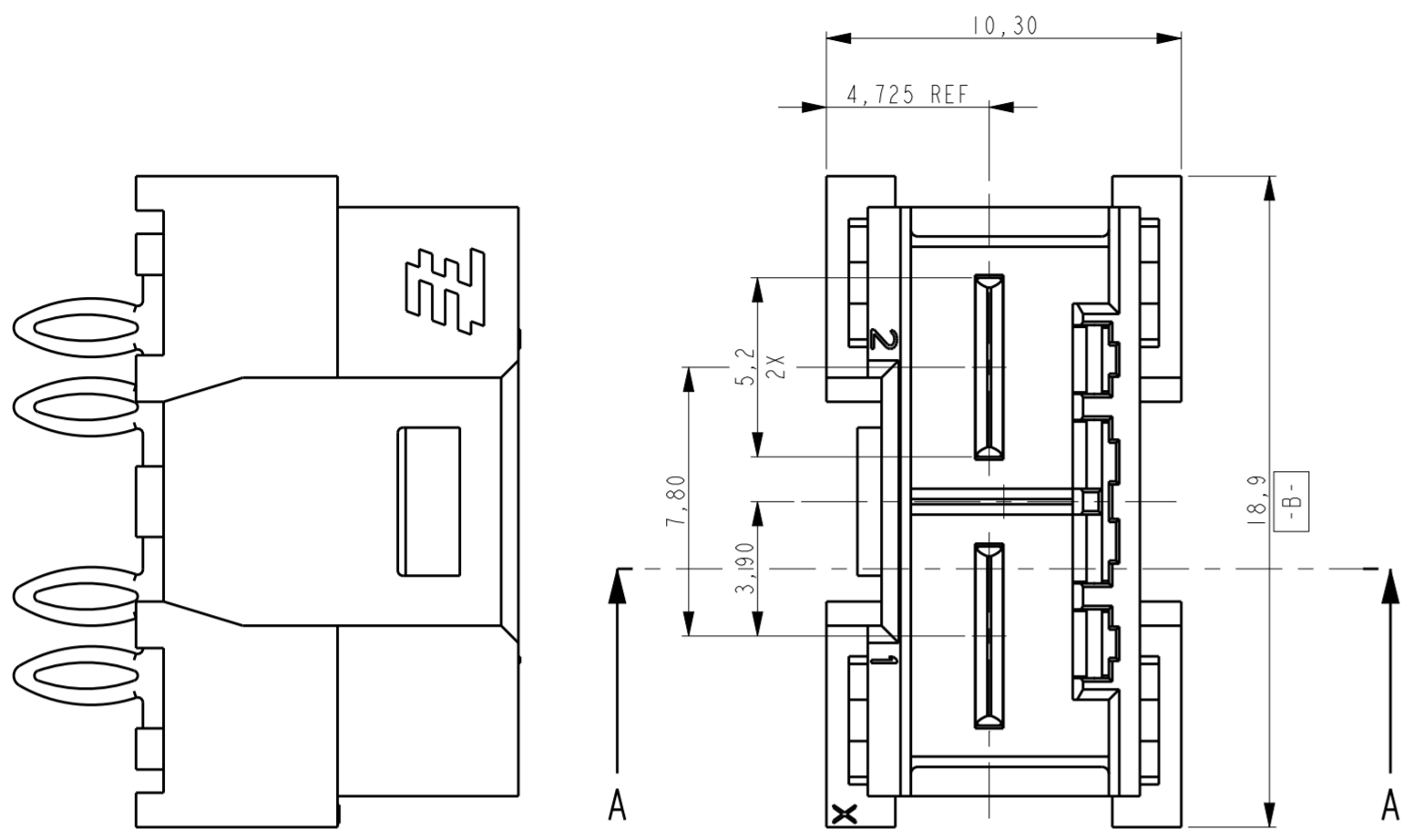


- NOTES:
- MATERIAL: BALCK POLYSTYRENE PLASTIC FOR CARRIER TAPE.
 - 10 SPROCKET HOLES PITCH CUMULATIVE TOLERANCE +/-0,20.
 - CARRIER CAMBER IS WITHIN 1 mm IN 250 mm.
 - ALL DIMENSIONS MEET EIA-481-C REQUIREMENTS.
 - THICKNESS: 0,50±0,05mm.
 - LABEL
 - OPTIONAL UNLESS CODING CONTACT IS REUIRED

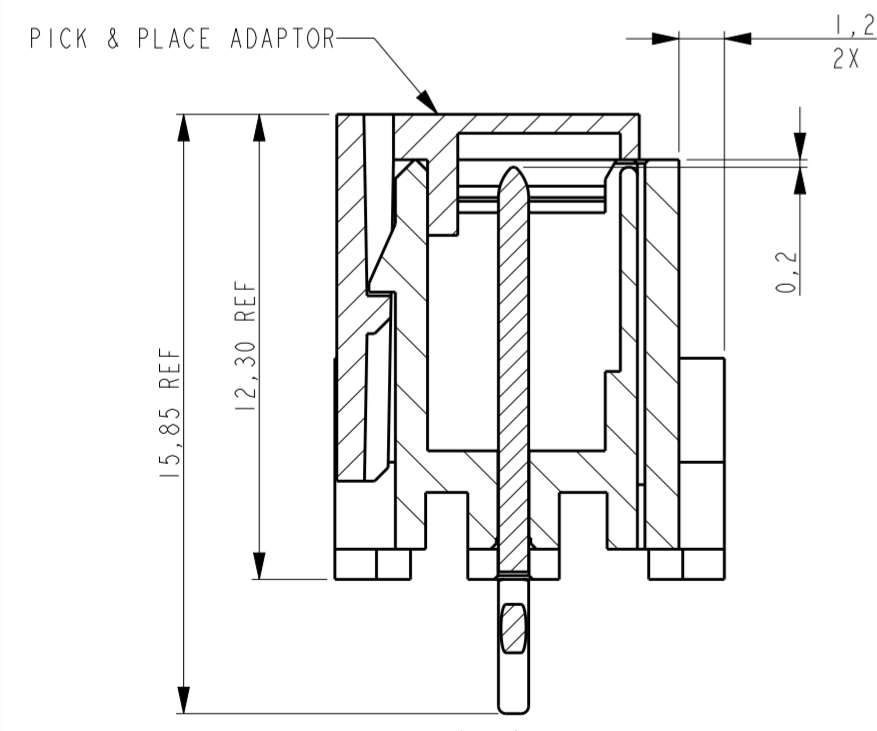
THIS DRAWING IS A CONTROLLED DOCUMENT.		DWN J.VOS 22-Apr-08	TE Connectivity	
		CHK R.LOKKER 22-Apr-08		
DIMENSIONS:		APVD R.V.D.SANDT	NAME ELCON Mini, 2-position header vertical	
mm		PRODUCT SPEC 108-19346	SIZE A2	
TOLERANCES UNLESS OTHERWISE SPECIFIED:		APPLICATION SPEC 114-19110	CAGE CODE 00779	DRAWING NO C-2042274
0 PLC ±0,5		WEIGHT	RESTRICTED TO	
1 PLC ±0,1		CUSTOMER DRAWING	SCALE 1:1 SHEET 2 OF 3 REV C5	
2 PLC ±0,1				
3 PLC ±0,1				
4 PLC ±				
ANGLES ±				
FINISH				

THIS DRAWING IS UNPUBLISHED. RELEASED FOR PUBLICATION
 © COPYRIGHT - TE CONNECTIVITY ALL RIGHTS RESERVED.

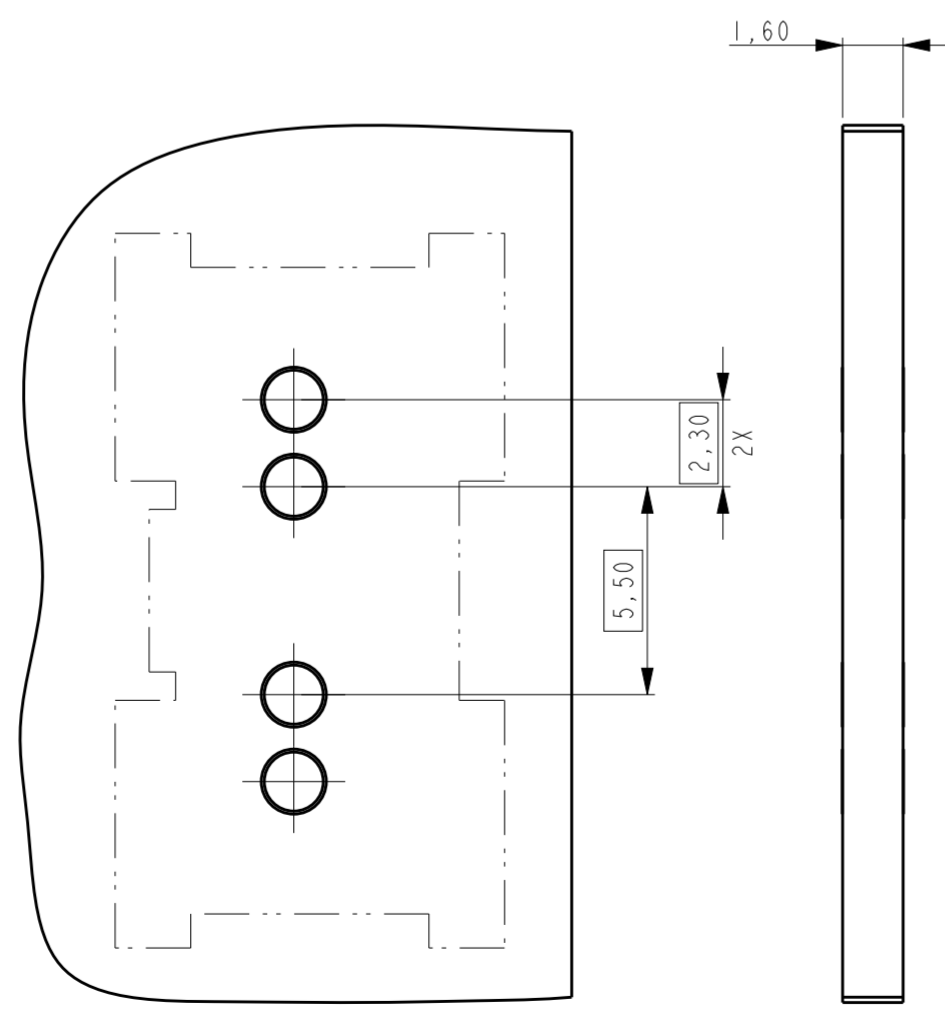
LOC	DIST	REVISIONS			
P	LTR	DESCRIPTION	DATE	DWN	APVD
-	-	SEE SHEET 1	-	-	-



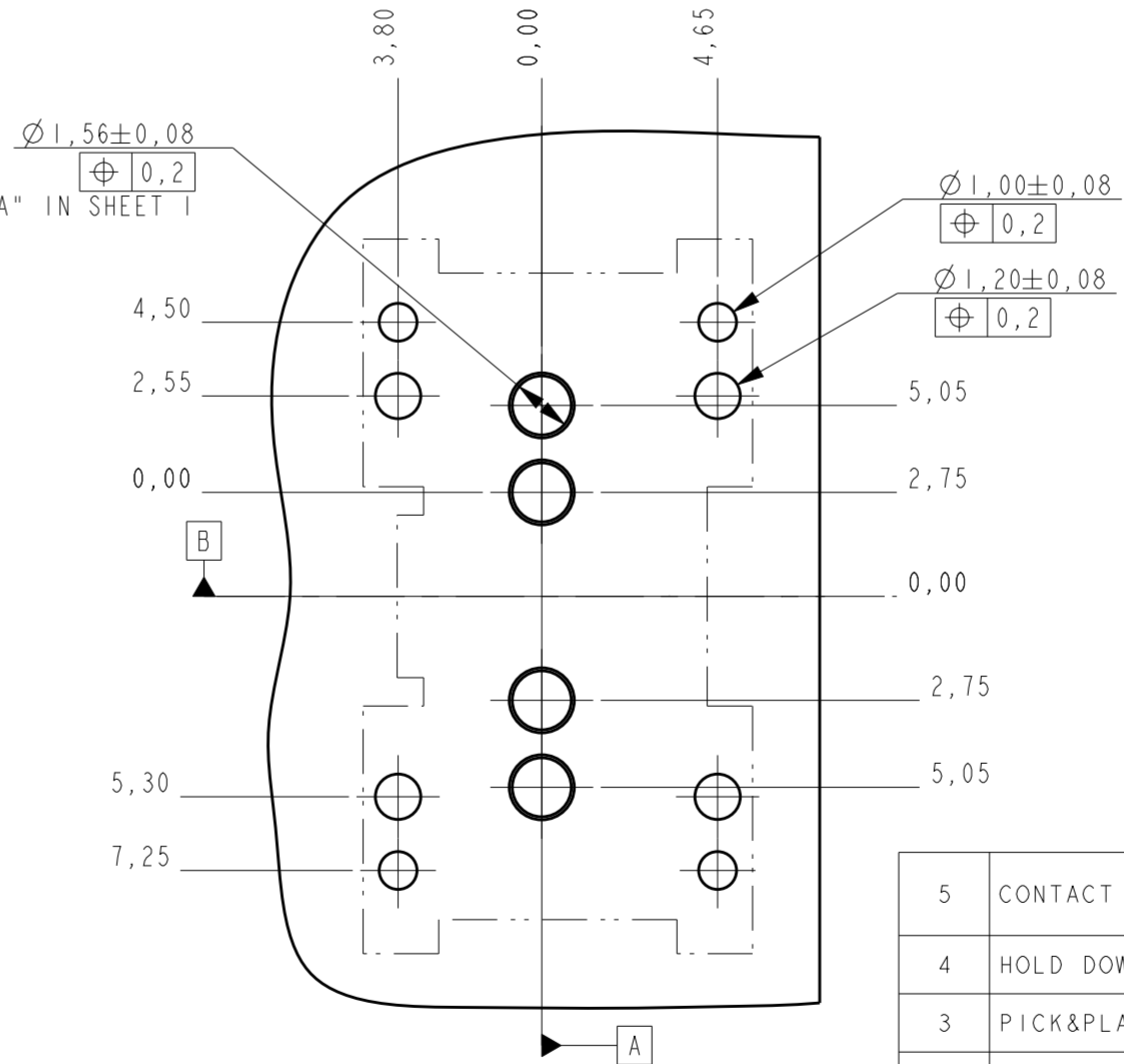
2042274-7 AS SHOWN



SECTION A-A
SCALE 5:1



LAYOUT FOR -6, PCB THICKNESS 145 MIN



LAYOUT FOR PRESSFIT, PCB THICKNESS 145 MIN.

ITEM NO.	DESCRIPTION	MATERIAL	FINISH	QTY	QTY	QTY
5	CONTACT POWER TAB	COPPER ALLOY	0.8 µm Au AT MATING ZONE GOLD FLASH AT PRESS FIT ZONE OVER 1.27µM NICKEL	2	-	-
4	HOLD DOWN	DINI544 CK75	5.0 µm Sn MIN OVER 2.5 µm Ni MIN ALL OVER.	4	4	-
3	PICK&PLACE ADAPTOR	POLYAMIDE	NA	1	1	1
2	CONTACT POWER TAB	COPPER ALLOY	3.0 µm Ag MIN ALL OVER.	-	2	2
1	HOUSING	LCP GF UL94V-0	NA	1	1	1

2042274-8	WITH/OUT DETECTION CONTACTS	2042274-7	WITH/OUT DETECTION CONTACTS	2042274-6	WITH/OUT DETECTION CONTACTS
-----------	-----------------------------	-----------	-----------------------------	-----------	-----------------------------

THIS DRAWING IS A CONTROLLED DOCUMENT.

DWN: J.VOS 22-Apr-08
 CHK: R.LOKKER 22-Apr-08
 APVD: R.V.D.SANDT

TE Connectivity
 ELCON Mini, 2-position header vertical

SIZE: A2 CAGE CODE: 00779 DRAWING NO: C-2042274
 SCALE: 1:1 SHEET: 3 OF 3 REV: C5

MATERIAL: - DIMENSIONS: mm TOLERANCES UNLESS OTHERWISE SPECIFIED:
 0 PLC ±0,5
 1 PLC ±0,1
 2 PLC ±0,1
 3 PLC ±0,1
 4 PLC ±
 ANGLES ±
 FINISH ±

PRODUCT SPEC: 108-19346
 APPLICATION SPEC: 114-19110
 WEIGHT: -
 CUSTOMER DRAWING