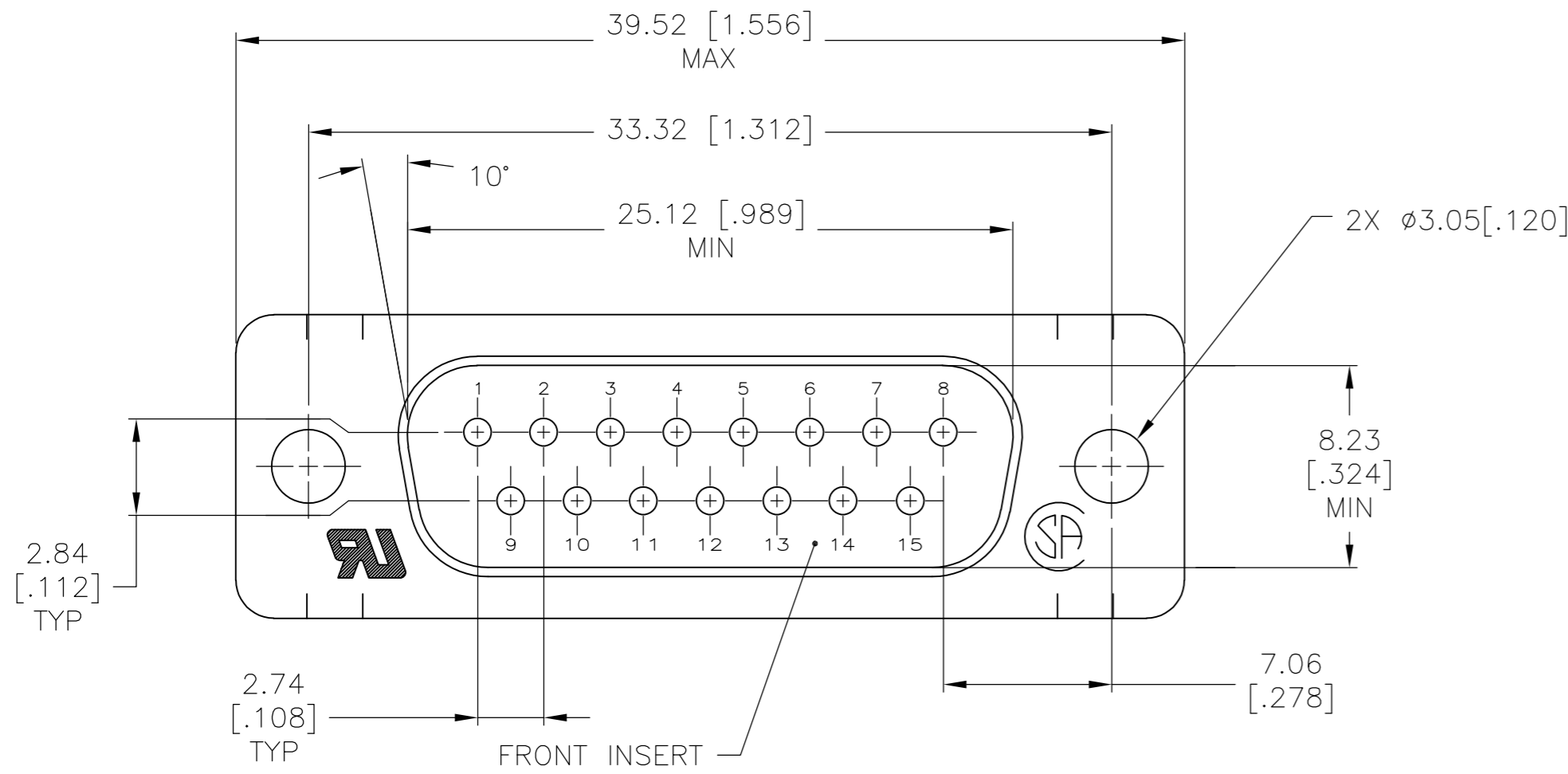


THIS DRAWING IS UNPUBLISHED. RELEASED FOR PUBLICATION
 © COPYRIGHT 2005 BY - ALL RIGHTS RESERVED.

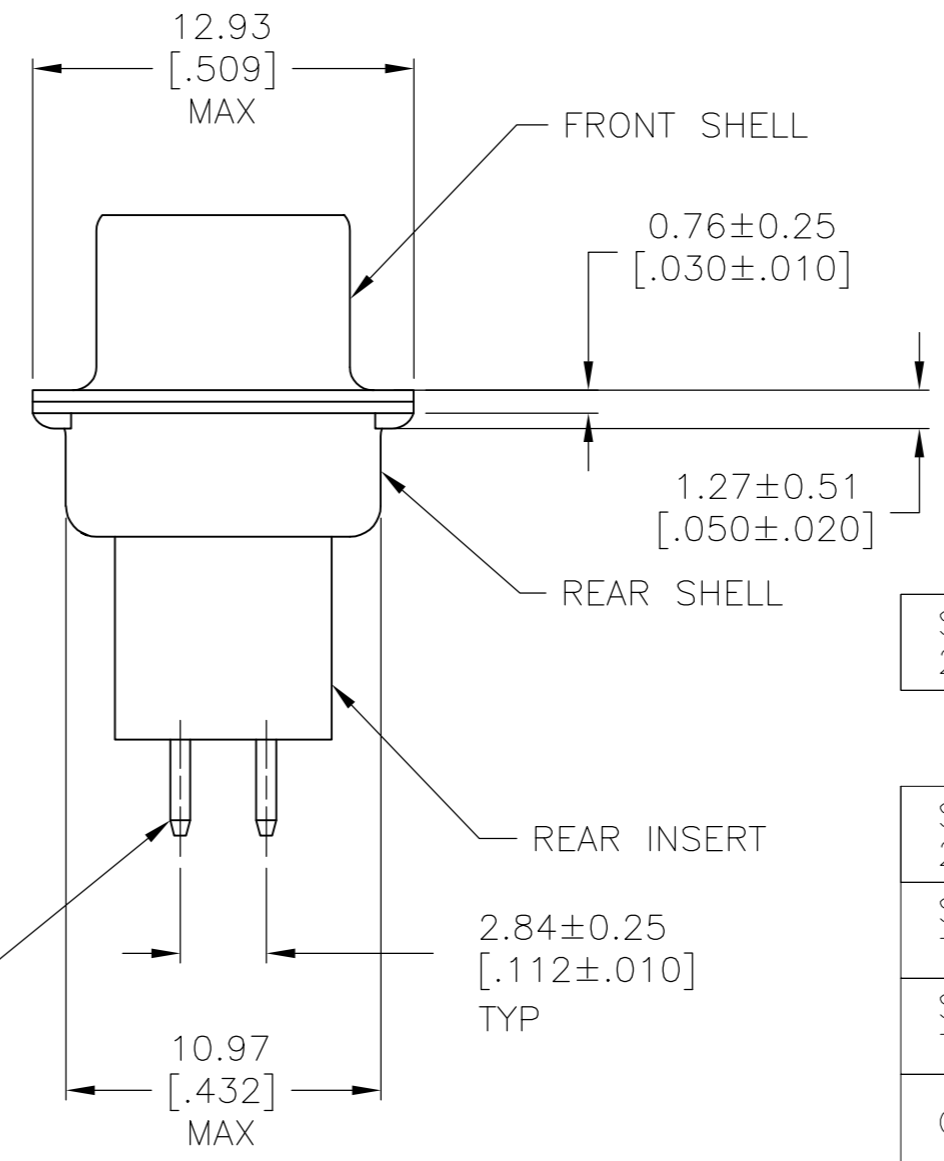
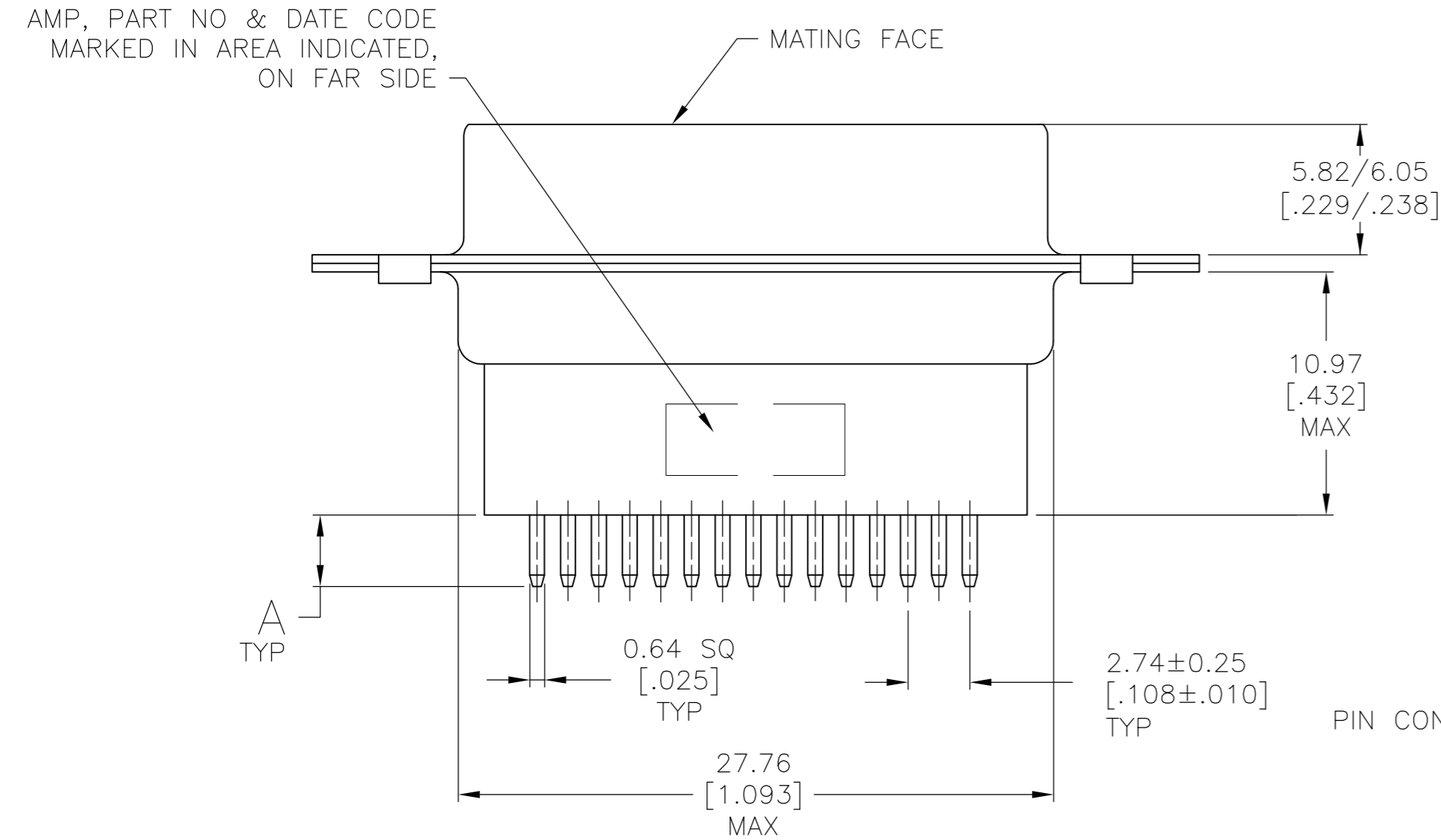
LOC		DIST		REVISIONS			
P	LTR	DESCRIPTION	DATE	DWN	APVD		
GP	00	Z	REVISED PER ECO-14-011808	09AUG2014	AP	SB	



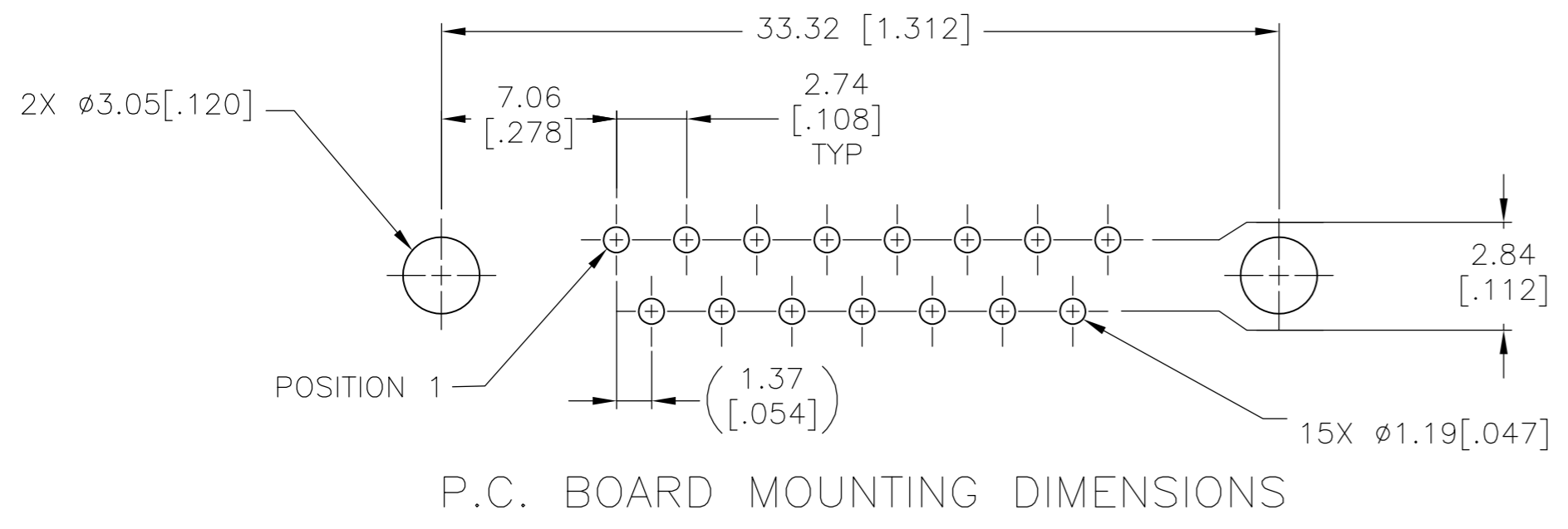
⚠ MOLDED PARTS: GLASS-FILLED PBT OR GLASS-FILLED NYLON, UL94V-0 RATED.
 COLOR: BLACK
 SHELLS: CARBON STEEL
 CONTACTS: BRASS

⚠ SHELLS: 5.08µm [.000200] MIN ZINC WITH YELLOW CHROMATE COATING.
 CONTACTS: GOLD PLATED FOR LENGTH OF 3.81 [.150] MIN FROM MATING END,
 0.76µm [.000030] MIN GOLD IN MATED AREA,
 2.54µm [.000100] MIN TIN-LEAD ON SOLDER END, BOTH OVER
 1.27µm [.000050] MIN NICKEL.
 OR
 GOLD FLASH OVER PALLADIUM-NICKEL PLATED FOR LENGTH OF
 3.81 [.150] MIN FROM MATING END,
 0.76µm [.000030] MIN TOTAL IN MATED AREA,
 2.54µm [.000100] MIN TIN-LEAD ON SOLDER END, BOTH OVER
 1.27µm [.000050] MIN NICKEL.

- 3. NOTE DELETED.
- 4. NOTE DELETED.
- 5. NOTE DELETED.
- ⚠ NOTE DELETED.



SUPSD BY 205735-7	-	-	205735-8
	⚠	4.78 [.188]	205735-7
SUPSD BY 205735-5	-	-	205735-6
SUPSD BY 745411-1	-	16.54 [.651]	205735-5
SUPSD BY 745411-1	-	10.85 [.427]	205735-4
OBSOLETE	-	-	205735-3
SUPSD BY 205735-1	-	-	205735-2
SUPSD BY 745411-1	-	3.18 [.125]	205735-1
	FINISH	A	PART NUMBER



THIS DRAWING IS A CONTROLLED DOCUMENT.

DIMENSIONS: mm [INCHES]	TOLERANCES UNLESS OTHERWISE SPECIFIED:	DWN J. POLIGNONE 01FEB07	 TE Connectivity
	0 PLC ± -	CHK E. BRIANT 01FEB07	
	1 PLC ± -	APVD E. BRIANT 01FEB07	
	2 PLC ± 0.13 [.005]	NAME	
	3 PLC ± -	PRODUCT SPEC	
4 PLC ± -	APPLICATION SPEC	108-40025	PLUG ASSY, SIZE 2, 15 POS, VERTICAL, AMPLIMITE HDP
ANGLES ± 2°	FINISH	114-40013	
MATERIAL	FINISH	WEIGHT	SIZE A2
		CUSTOMER DRAWING	CAGE CODE 00779
			DRAWING NO C=205735
			RESTRICTED TO
			SCALE NTS
			SHEET 1 OF 1
			REV Z