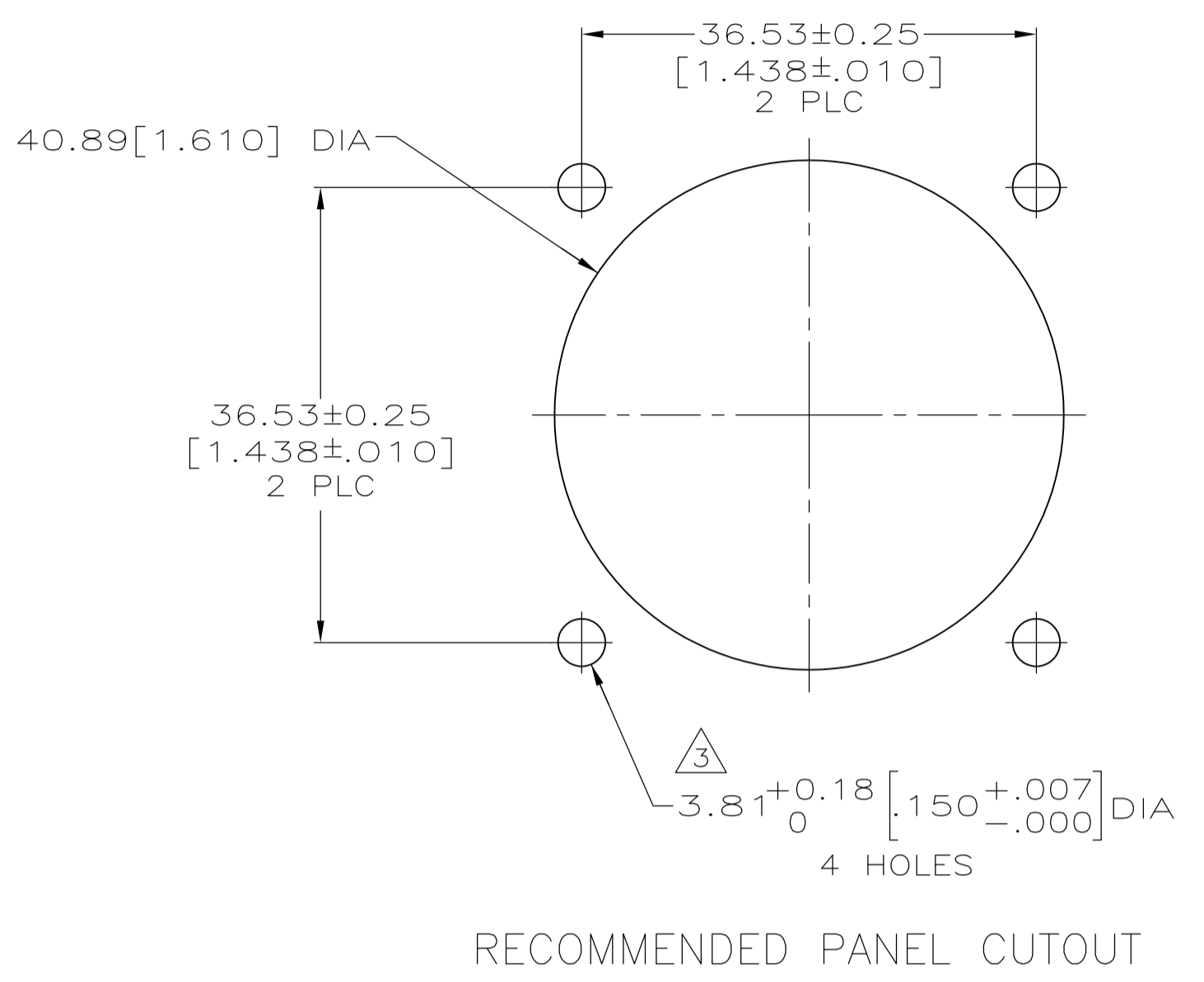
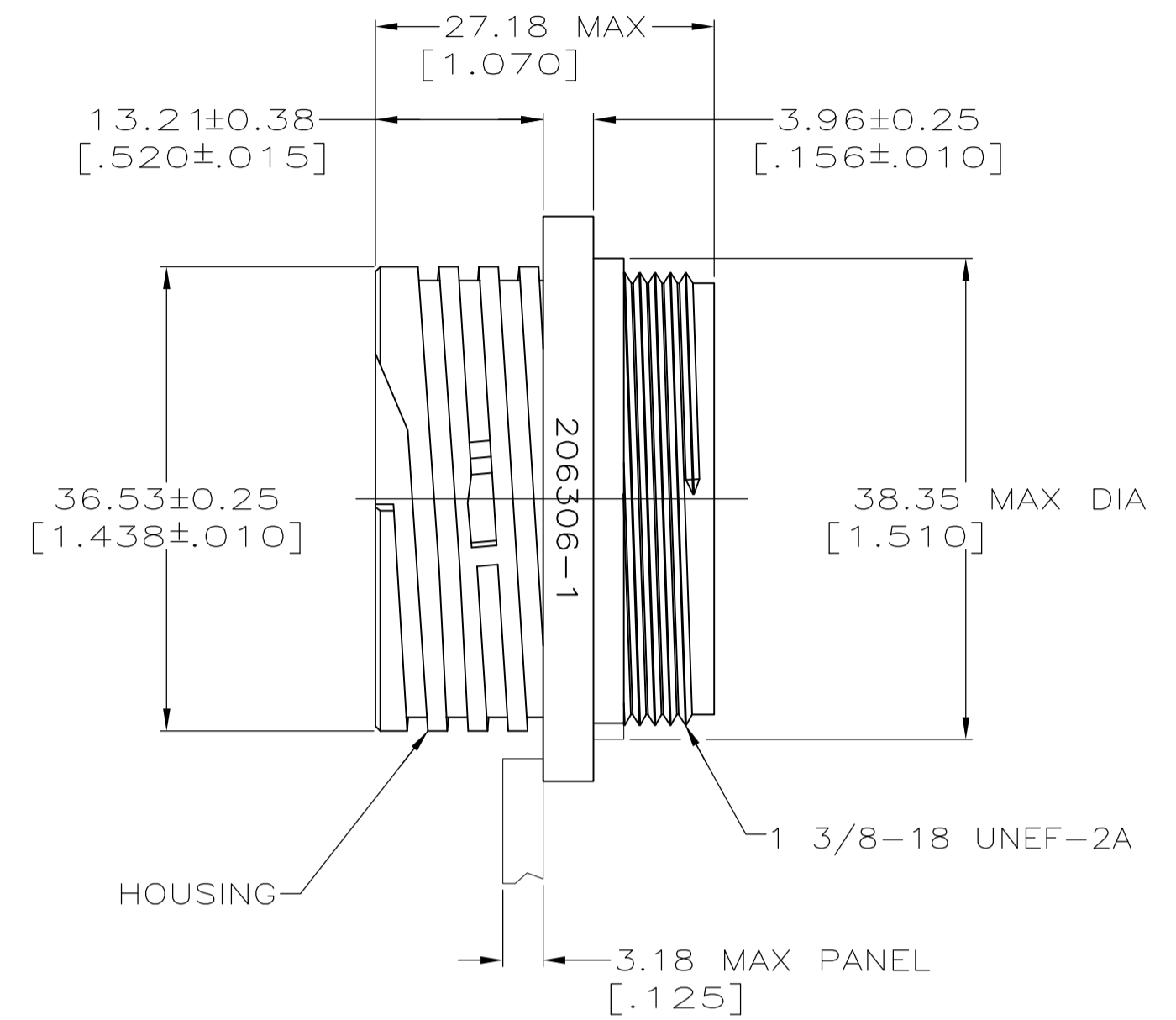
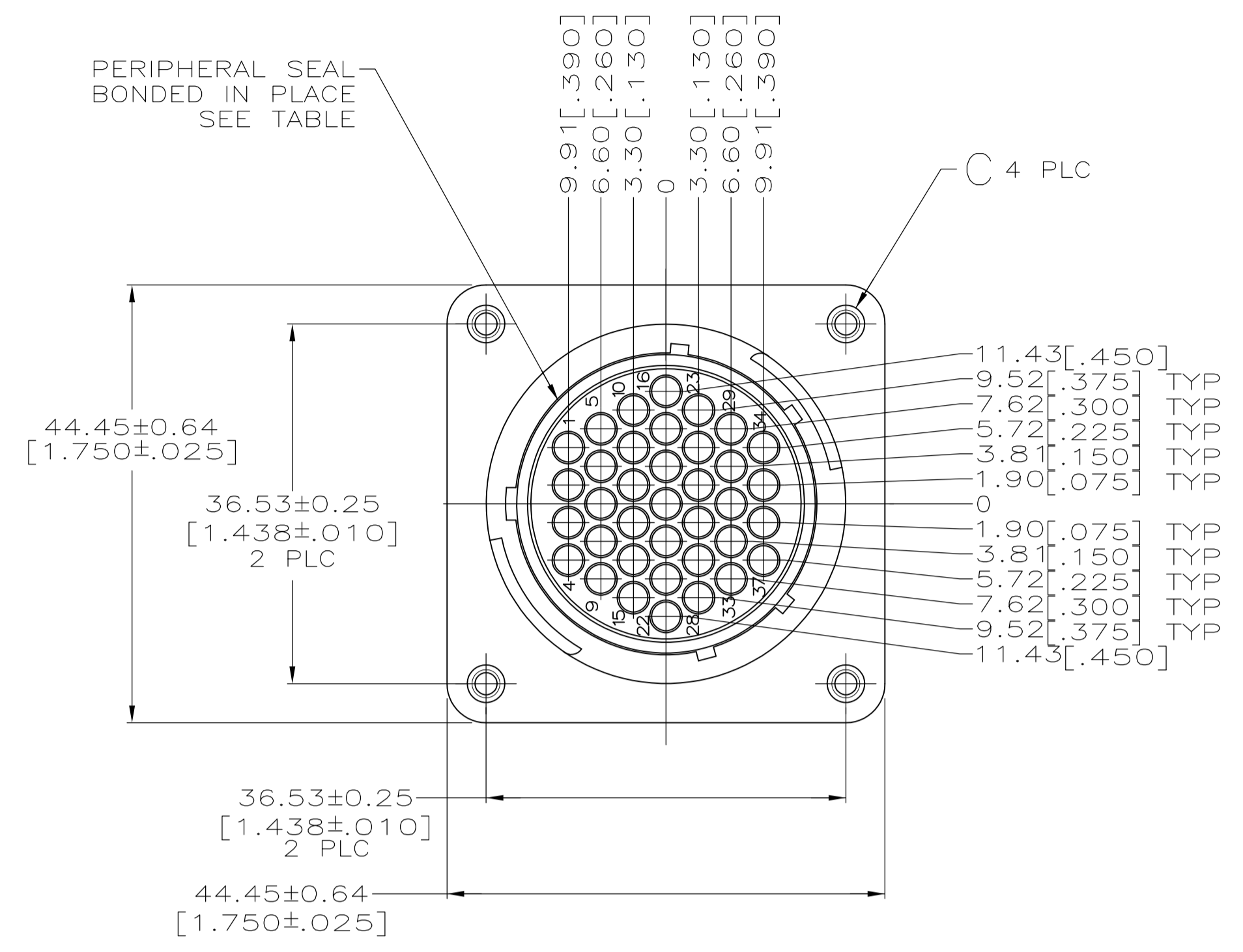
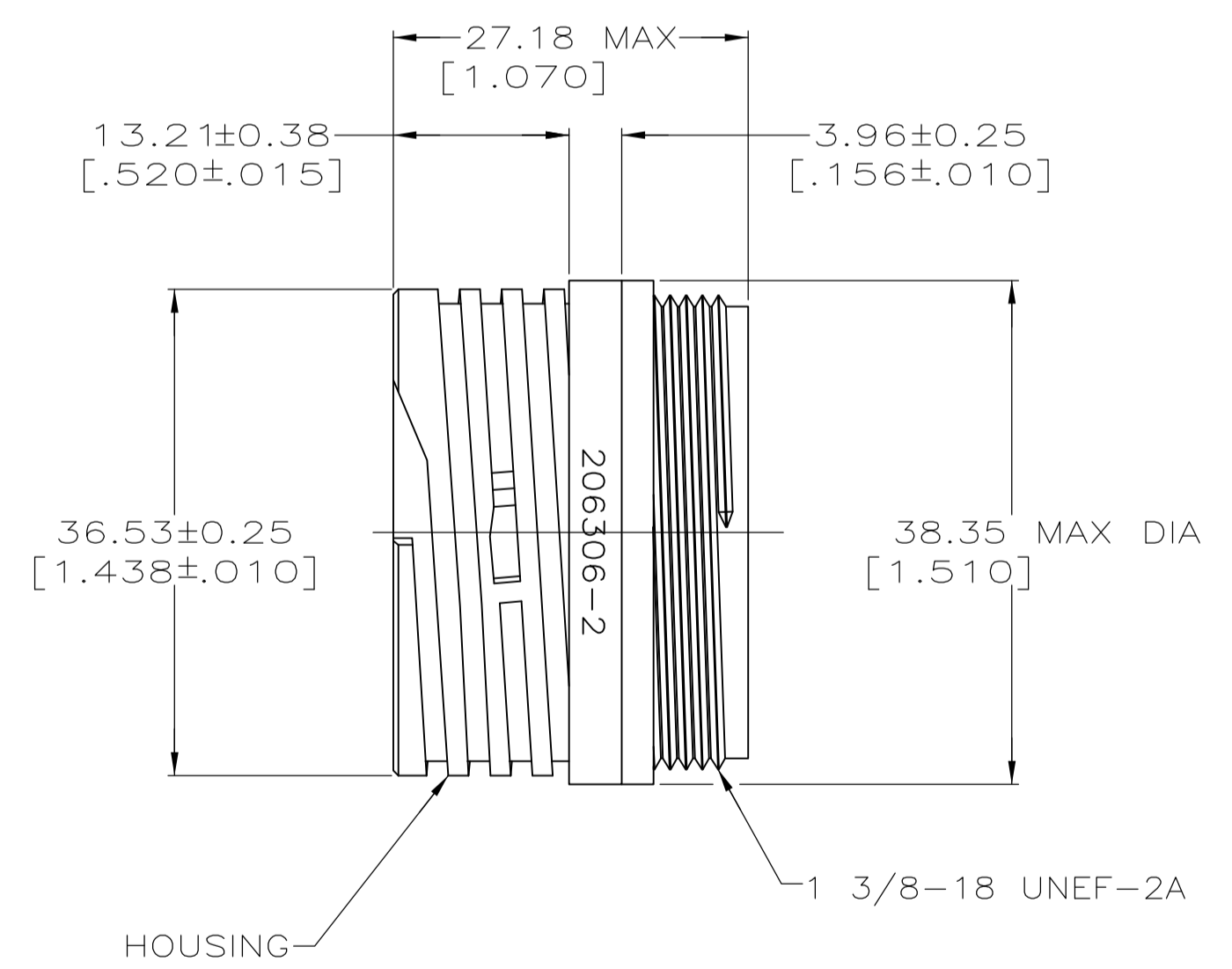
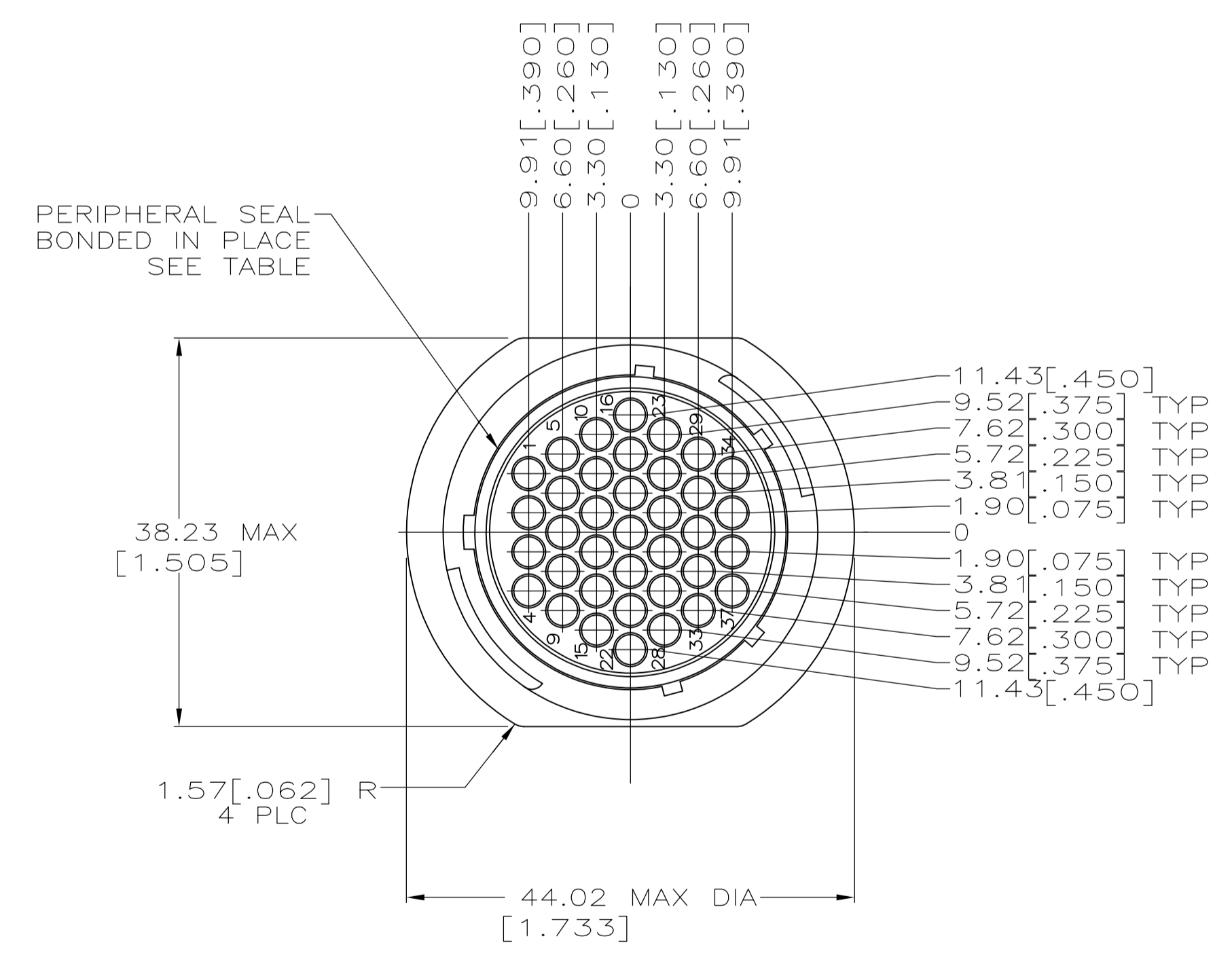


REVISIONS					
P	LTR	DESCRIPTION	DATE	DN	APVD
L1		REVISED PER ECO-15-010630	27JUL2015	NK	MZ
M		REVISED PER ECO-17-000037	15MAR2017	RS	MZ



DETAIL A



DETAIL B

- 1 CAVITY IDENTIFICATION ON FRONT AND REAR FACE.
- 2 WILL ACCEPT THIRTY-SEVEN (37) MULTIMATE SOCKET CONTACTS.
- 3 NO 4 FASTENER RECOMMENDED FOR MOUNTING.
- 4 NYLON 6/6, NATURAL.
- 5 OBSOLETE PARTS: OBSOLETE CIS STREAMLINING PER D.RENAUD/D.SINISI

STANDARD	NO	3.81 [.150] DIA HOLE	A	4	206306-8-
STANDARD	NO	3.81 [.150] DIA HOLE	A		206306-6-
STANDARD	NO	4-40 THREADED INSERT	A		206306-5
STANDARD	YES	-	B		206306-4
STANDARD	YES	3.81 [.150] DIA HOLE	A		206306-3
STANDARD	NO	-	B		206306-2
STANDARD	NO	3.81 [.150] DIA HOLE	A		206306-1
PACKAGING	PERIPHERAL SEAL		C	SEE DETAIL	PART NUMBER

THIS DRAWING IS A CONTROLLED DOCUMENT.		DIN D.GELTZ 07/26/93	STE TE Connectivity	
DIMENSIONS: MM [INCHES]		CHK R.STONE 08/11/93	NAME RECEPTACLE HOUSING, REVERSE SEX, SHELL SIZE 23, CPC	
TOLERANCES UNLESS OTHERWISE SPECIFIED:		APVD A.FRANTUM 08/13/93	PRODUCT SPEC 108-10024	
0 PLC ± -	1 PLC ± -	APPLICATION SPEC		
2 PLC ± 0.13 [.005]	3 PLC ± -	SIZE CASE CODE DRAWING NO		
4 PLC ± -	ANGLES ± -	WEIGHT 0.000000 A1 00779 C=206306		
MATERIAL HOUSING: NYLON, BLACK	FINISH -	CUSTOMER DRAWING SCALE 2:1 SHEET 1 OF 1 REV M		
INSERT: BRASS				