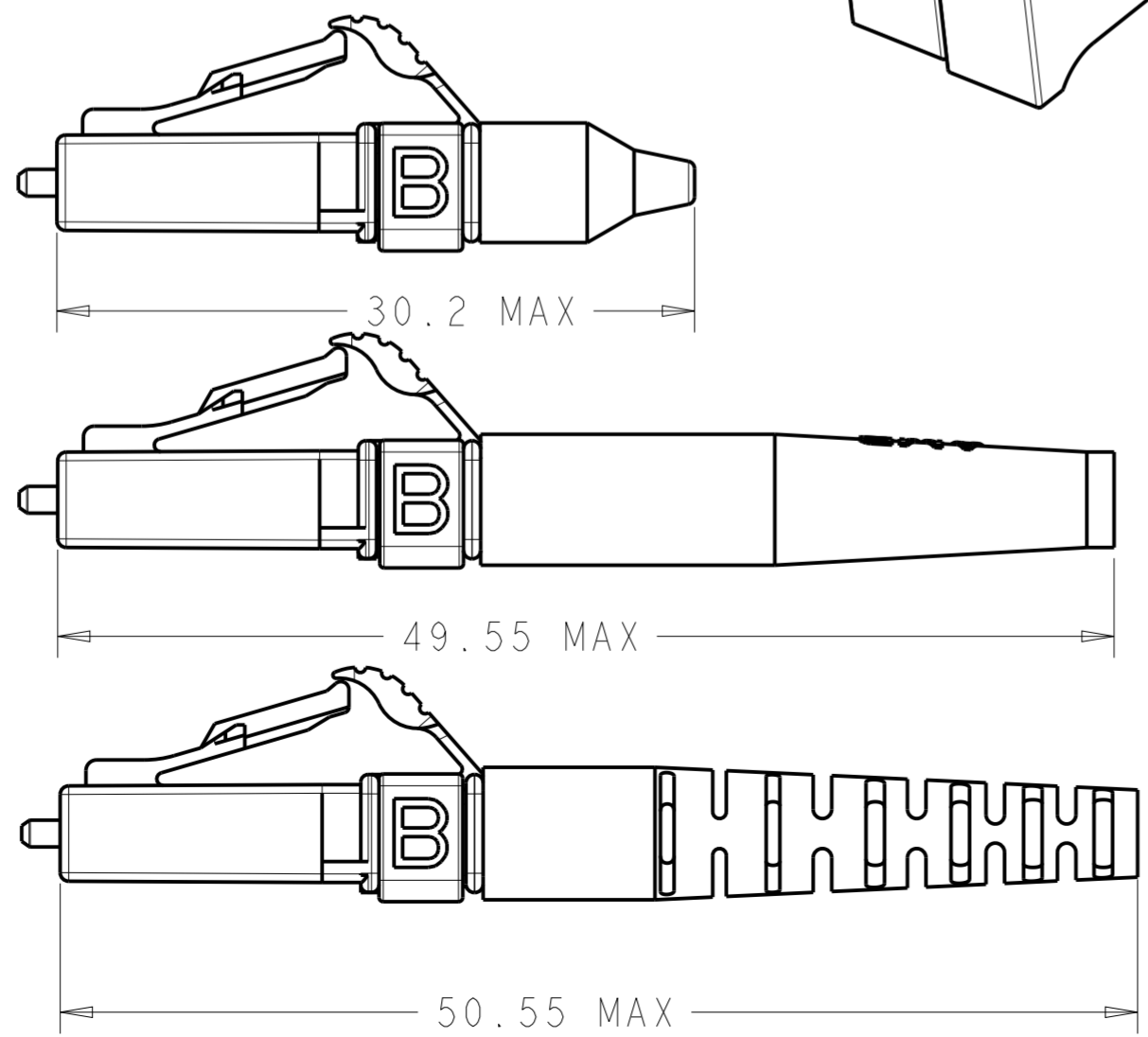
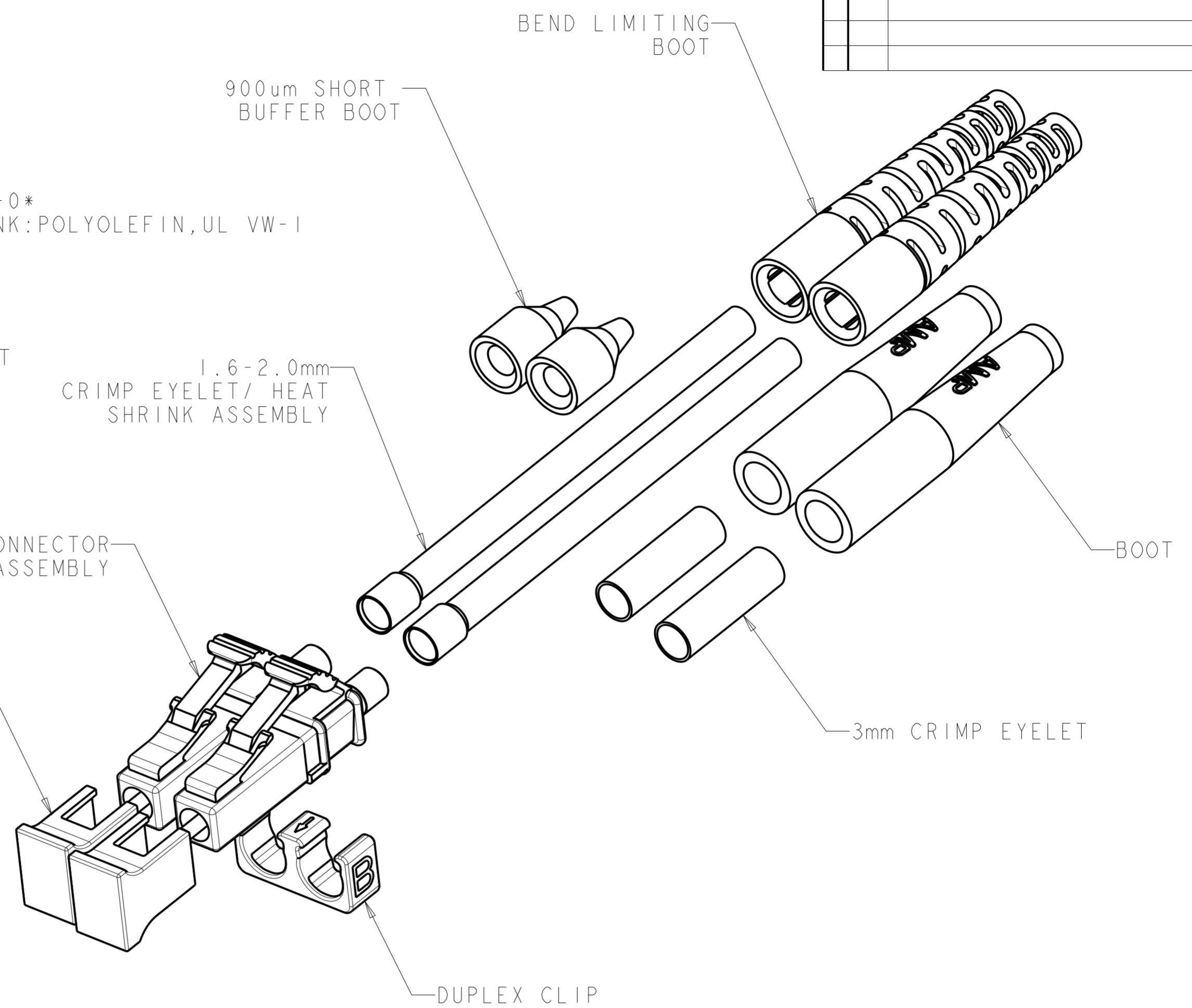


THIS DRAWING IS UNPUBLISHED. RELEASED FOR PUBLICATION 20
 © COPYRIGHT 20 BY - ALL RIGHTS RESERVED.

LOC	DIST	REVISIONS			
P	LTR	DESCRIPTION	DATE	DWN	APVD
CE	00				
	B	ECR-14-016330	10NOV2014	HZ	RZ

- ⚠ MATERIAL
 PROTECTIVE COVER: TPE, COLOR: BLACK, UL94 HB*
 FERRULE SUBASSEMBLY: ZIRCONIA/METAL
 COMPRESSION SPRING: STAINLESS STEEL
 FRONT HOUSING: PEI, COLOR: BLUE, UL94 V-0*
 INNER TUBING: PTFE, COLOR: CLEAR, UL VW-1
 REAR BODY: METAL
 BEND LIMITING BOOT: PP, COLOR: BLUE, UL94 V-0*
 BOOT AND SHORT BUFFER BOOT: TPE, COLOR: BLUE, UL94 V-0*
 CRIMP EYELET/HEAT SHRINK ASSY: ALUM. ALLOY, HEAT SHRINK: POLYOLEFIN, UL VW-1
 DUPLEX CLIP: PP, COLOR: BLUE, UL94 V-0*
 3mm CRIMP EYELET: NICKEL PLATED BRASS
 *RATED AT QUALIFYING THICKNESS.

- INSTRUCTION SHEET: 408-8675 AVAILABLE FOR DOWNLOAD AT www.tycoelectronics.com/documents OR www.ampnetconnect.com/foguide.
- BULK PACKAGE.



DUPLEX, 3.0mm JACKETED	2-2064937-3
DUPLEX, 1.6-2.0mm JACKETED	2-2064937-2
DUPLEX, 900um BUFFERED	2-2064937-1
SIMPLEX, 3.0mm JACKETED	2064937-3
SIMPLEX, 1.6-2.0mm JACKETED	2064937-2
SIMPLEX, 900um BUFFERED	2064937-1
DESCRIPTION	PART NUMBER

THIS DRAWING IS A CONTROLLED DOCUMENT.

DWN B. BRIGGS 31MAR2009	TE Connectivity					
CHK S. MILLER 31MAR2009						
APVD D. BAECHTLE 31MAR2009						
NAME KIT, CONNECTOR, LC, SM, BULK PACK						
DIMENSIONS: mm	TOLERANCES UNLESS OTHERWISE SPECIFIED: 0 PLC ± 1 PLC ± 2 PLC ± 3 PLC ± 4 PLC ± ANGLES ± FINISH	PRODUCT SPEC - APPLICATION SPEC - WEIGHT -	SIZE A200779	CAGE CODE C-2064937	DRAWING NO G-2064937	RESTRICTED TO -
MATERIAL ⚠	CUSTOMER DRAWING	SCALE 3:1	SHEET 1	OF 1	REV B	