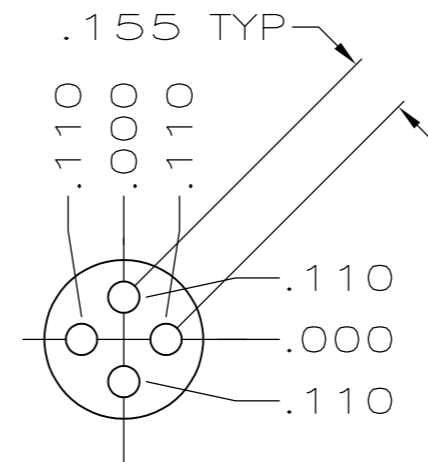
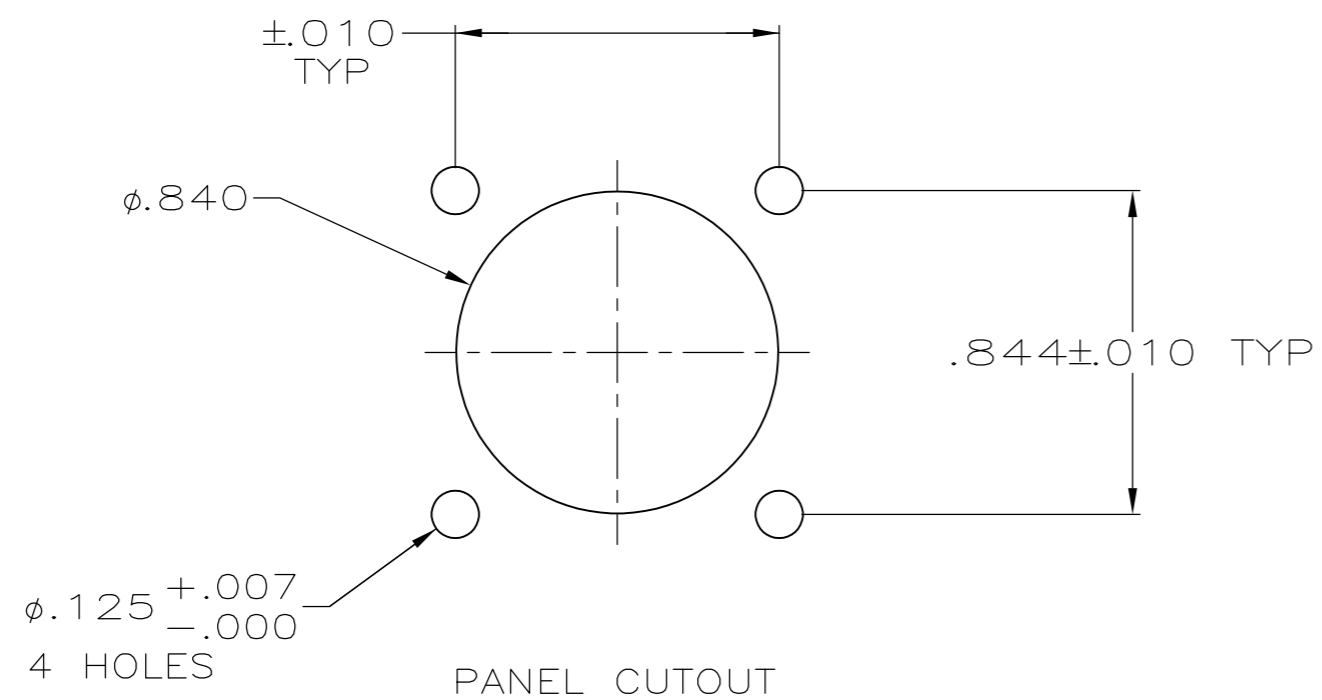
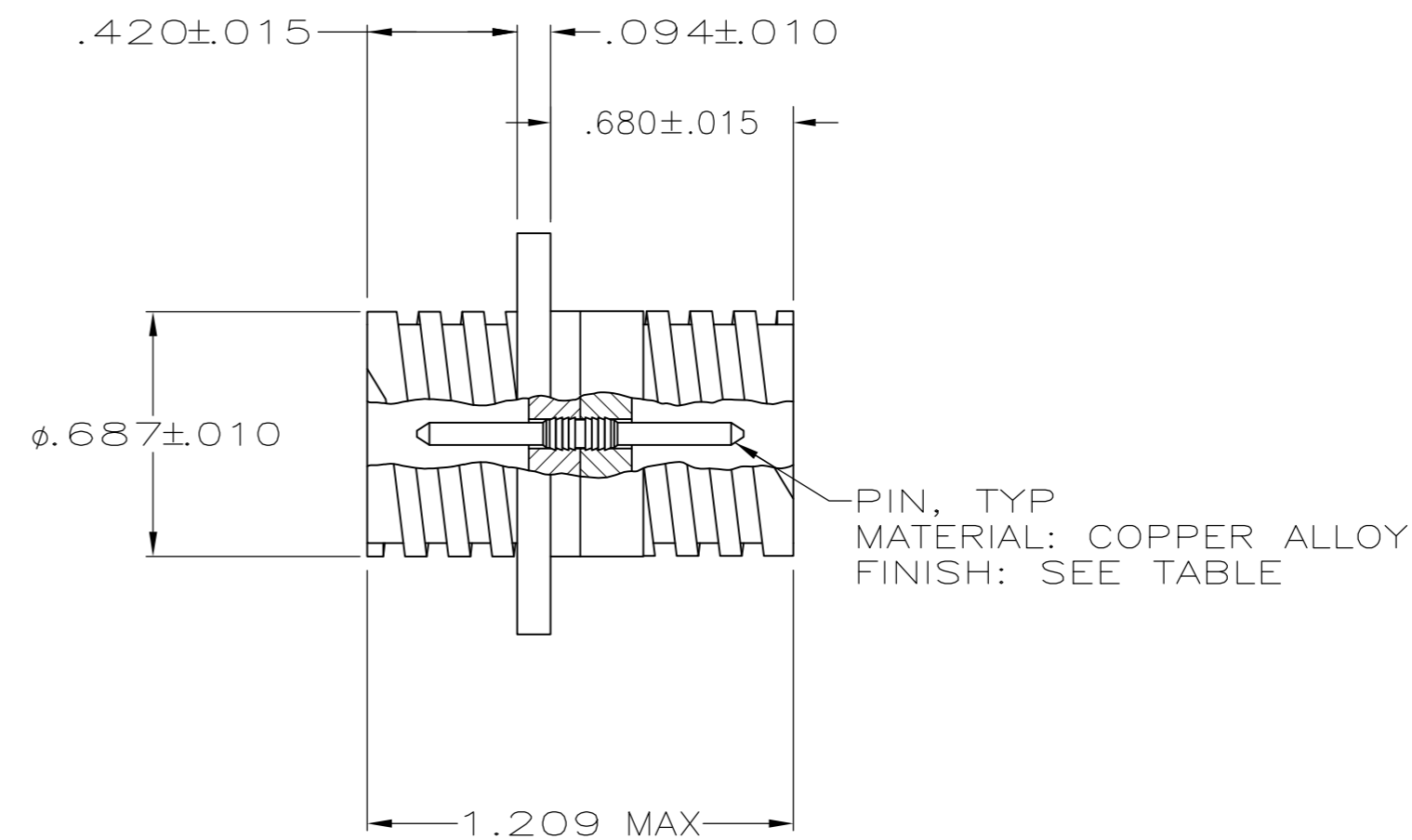
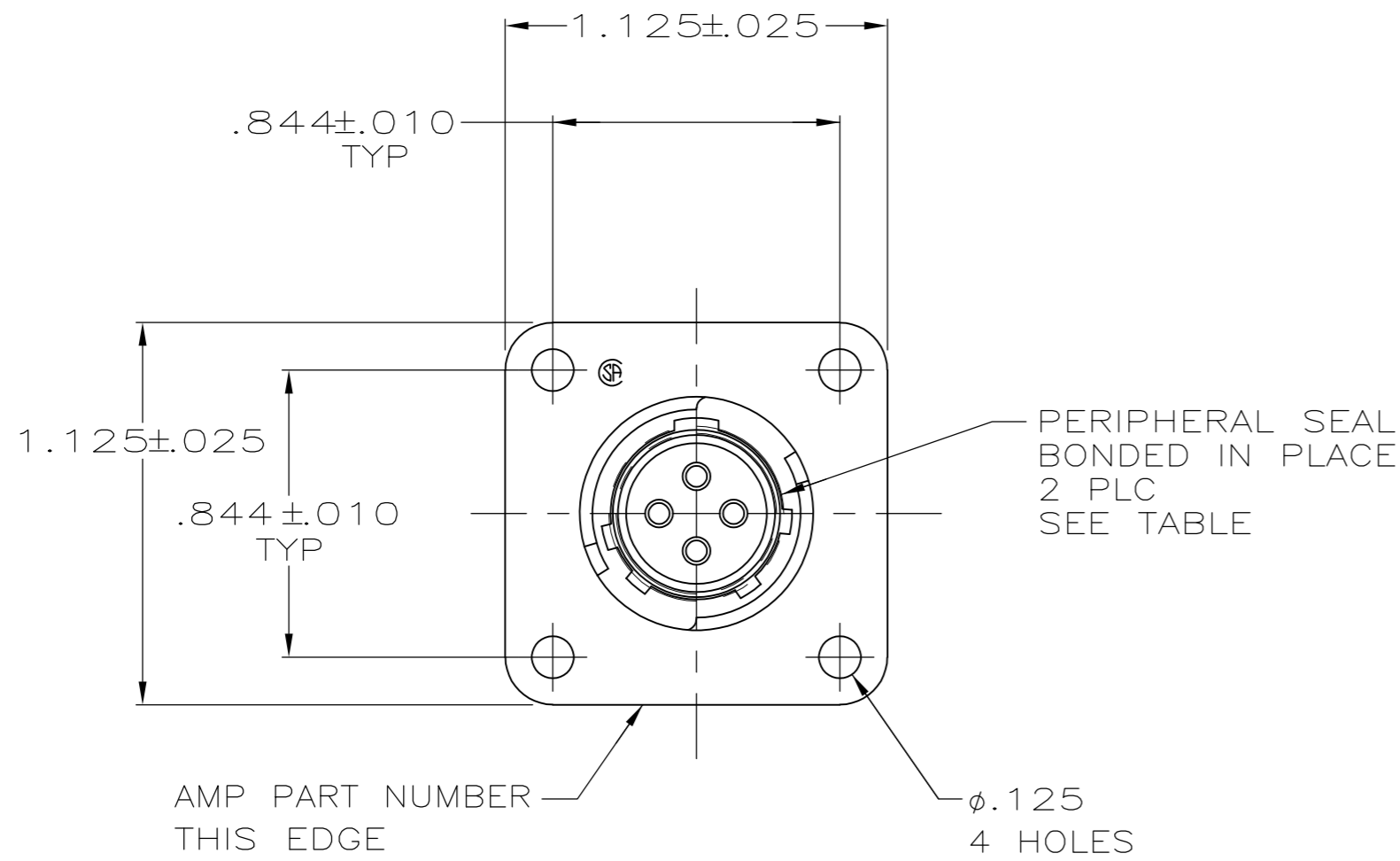


THIS DRAWING IS UNPUBLISHED. RELEASED FOR PUBLICATION
 © COPYRIGHT - By - ALL RIGHTS RESERVED.

LOC		DIST		REVISIONS			
P	LTR	DESCRIPTION	DATE	DWN	APVD		
FT	0						
	F2	REVISED PER ECO-14-007070	13MAY2014	NK	MZ		



- 1 GOLD PER MIL-G-45204 OVER NICKEL PER QQ-N-290.
- 2 TIN PER MIL-T-10727.
- 3 ACCOMODATES 4 SIZE 16 PIN CONTACTS, PERMANENTLY INSTALLED.

YES(2)	1	206518-5
NO	1	206518-2
OBSOLETE NO	2	206518-1
PERIPHERAL SEAL	CONTACT FINISH	PART NUMBER

THIS DRAWING IS A CONTROLLED DOCUMENT.

DWN	J GALLUCCI BG	5-22-91
CHK	W.G.LENKER	4-13-92
APVD	-	-
NAME	TE Connectivity	
PRODUCT SPEC	108-10024	
APPLICATION SPEC	-	
WEIGHT	-	-
CUSTOMER DRAWING	SCALE 2:1	SHEET 1 of 1

MATERIAL: RCPT: THERMOPLASTIC COLOR: BLACK
 FINISH: SEE TABLE

RECEPTACLE ASSEMBLY, FEED THRU, SERIES 1, 11-4, CPC

SIZE: A2 CAGE CODE: 00779 DRAWING NO: C-206518 RESTRICTED TO: -

206518