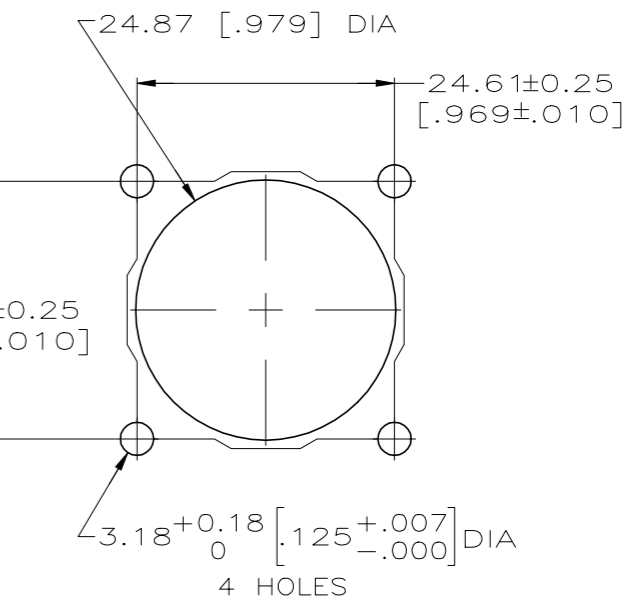
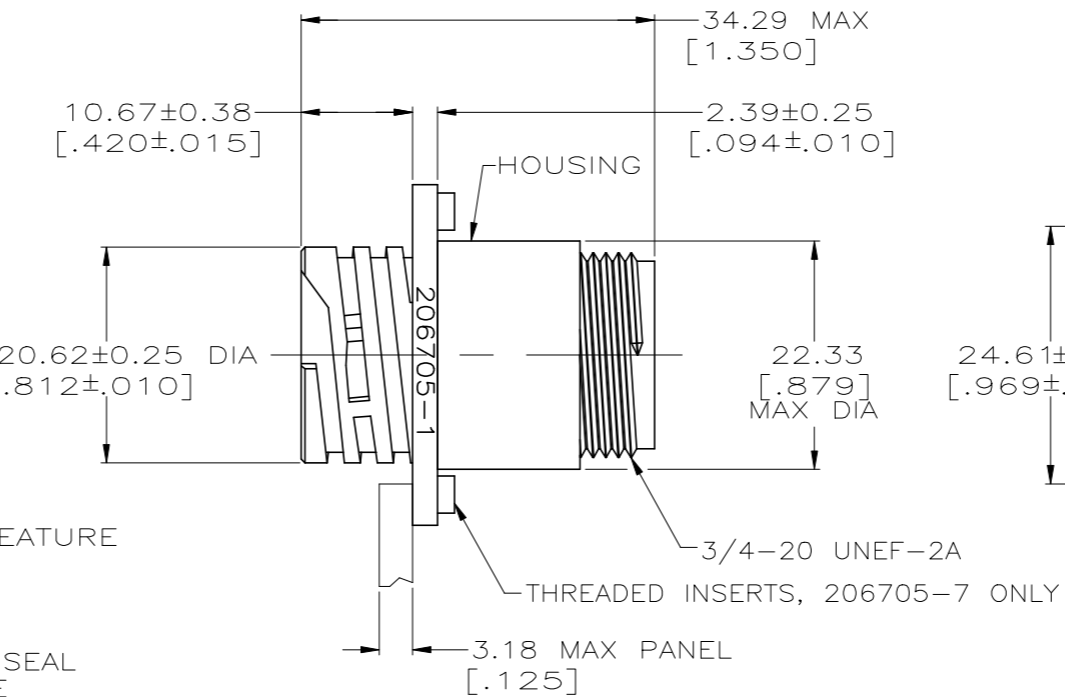
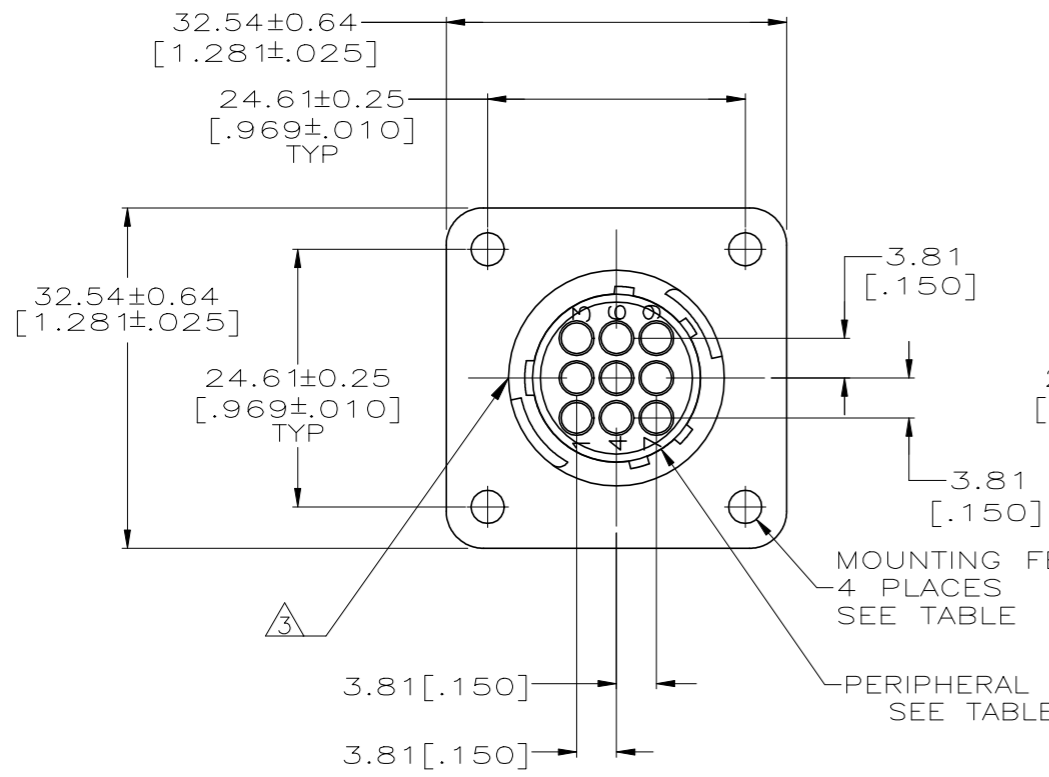
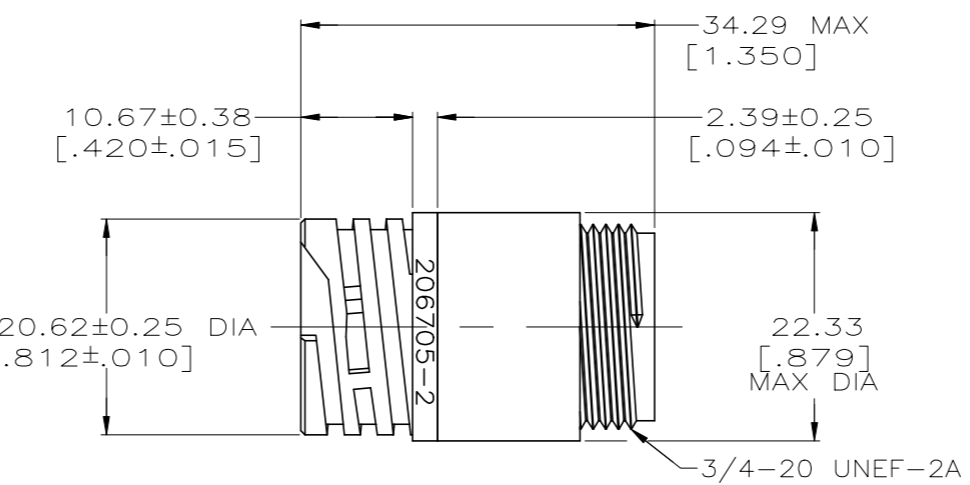
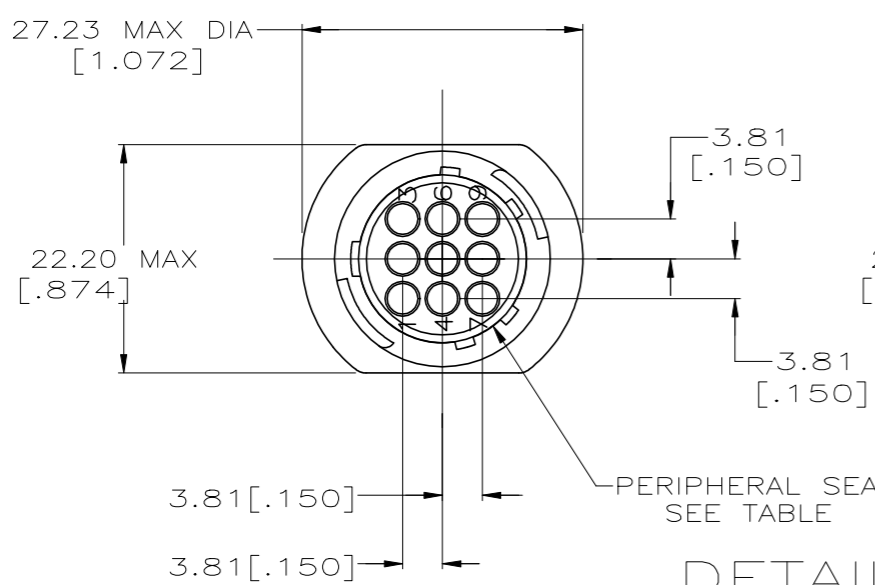


REVISIONS				
P	LTR	DESCRIPTION	DATE	APVD
M		REVISED PER ECO-12-015521	28SEP12	KH MZ
N		REVISED PER ECO-17-000037	10MAR2017	RS MZ
P		REVISED PER ECO-19-014836	21OCT2019	RS MZ



DETAIL A

RECOMMENDED PANEL CUTOUT



DETAIL B

MOUNTING FEATURE	NOTES	PERIPHERAL SEAL	SEE DETAIL	PART NUMBER
#4-40 THREADED INSERTS Ø3.18 (.125) HOLES	3	NO	A	206705-7
	-	NO	A	206705-5
	-	YES	B	206705-4
	-	YES	A	206705-3
Ø3.18 (.125) HOLES	-	NO	B	206705-2
	-	NO	A	206705-1

- 1 CAVITY IDENTIFICATION ON FRONT AND REAR FACE.
- 2 RECEPTACLE WILL ACCEPT NINE (9) MULTIMATE PIN CONTACTS.
- 3 WHITE DOT OVER MAJOR KEY, APPROX WHERE SHOWN.
- 4 OBSOLETE PART NUMBER.
- 5 MATERIALS
 HOUSING: PA66, BLACK
 PERIPHERAL SEAL: NITRILE BUTADIENE RUBBER, BLACK
 THREADED INSERTS: BRASS

THIS DRAWING IS A CONTROLLED DOCUMENT.

DIMENSIONS: MM [INCHES]	TOLERANCES UNLESS OTHERWISE SPECIFIED: 0 PLC ± - 1 PLC ± - 2 PLC ± 0.13 [.005] 3 PLC ± - 4 PLC ± - ANGLES ± -	DWN D.HARDY 05/19/94 CHK R.STONE 05/20/94 APVD -	TE Connectivity
MATERIAL	FINISH	PRODUCT SPEC 108-10024 APPLICATION SPEC	RECEPTACLE HOUSING, STANDARD SEX, SHELL SIZE 13, CPC
MATERIAL 5		WEIGHT -	RESTRICTED TO -
CUSTOMER DRAWING		SCALE 2:1	SHEET 1 of 1 REV P