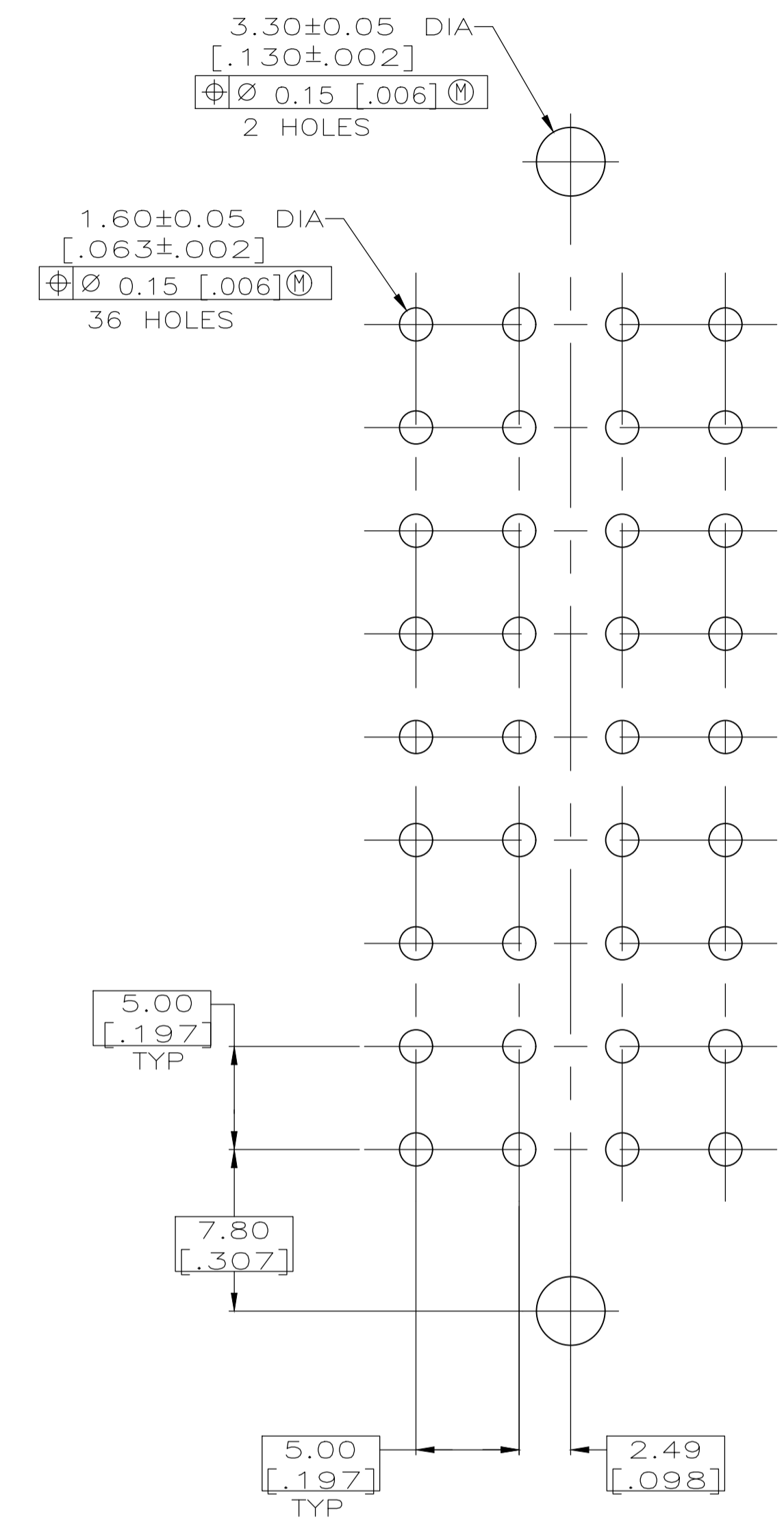
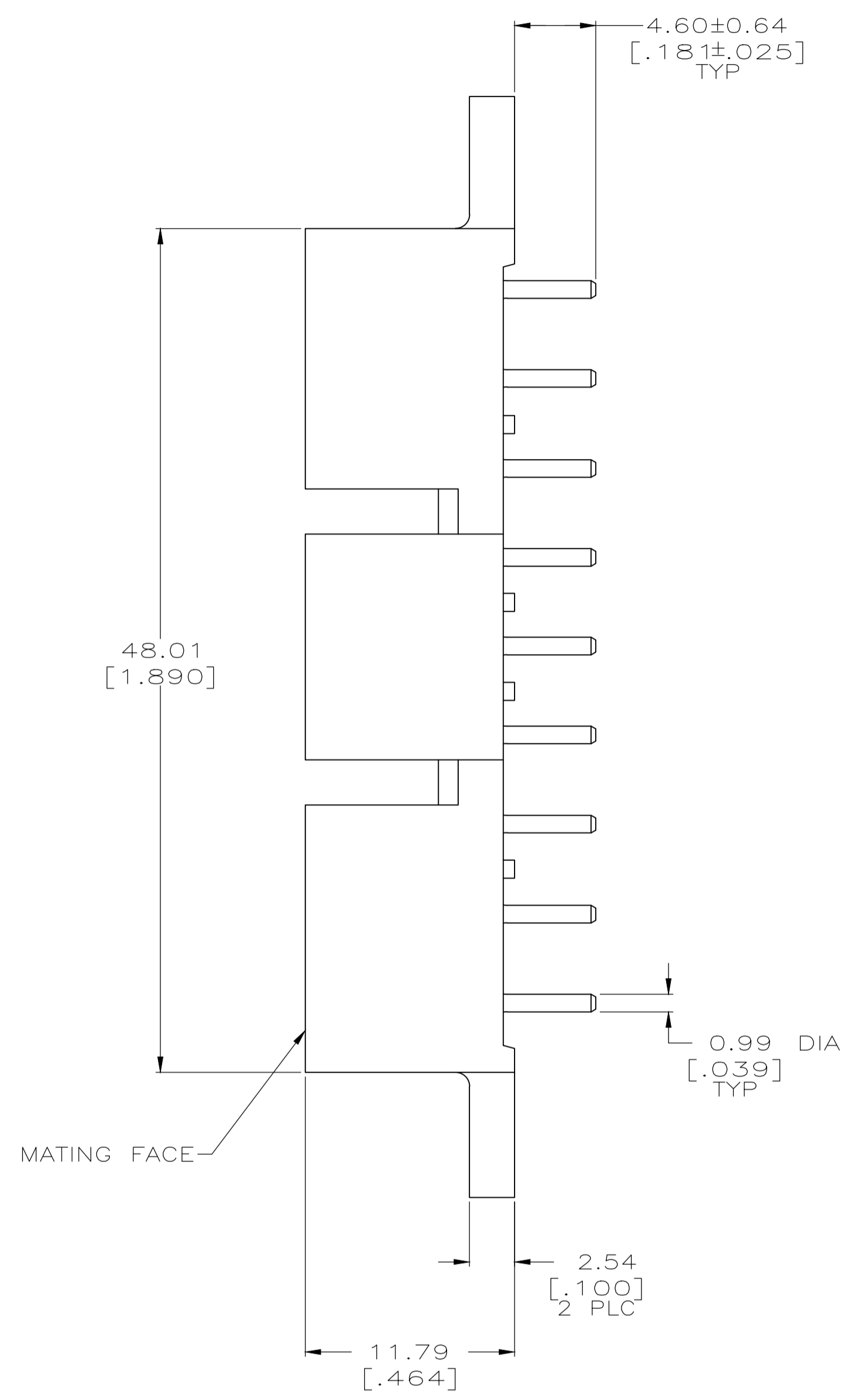
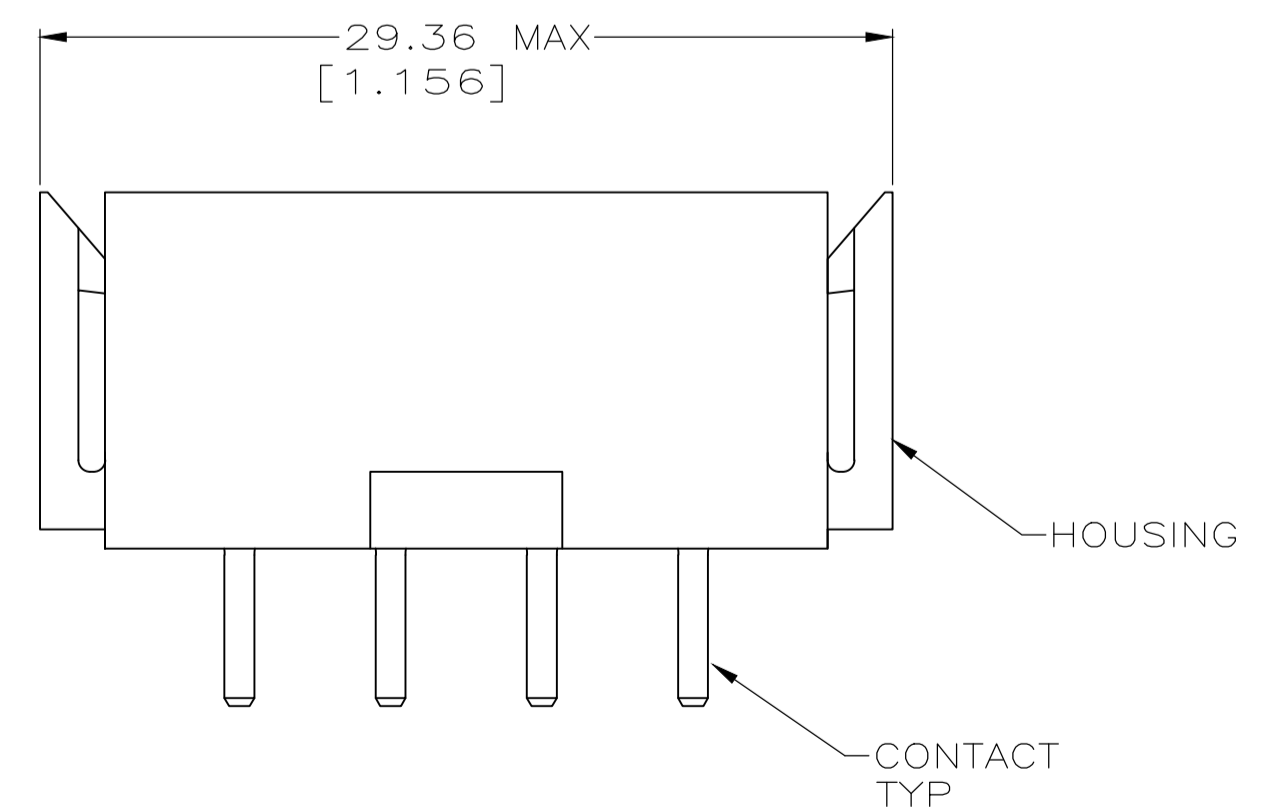
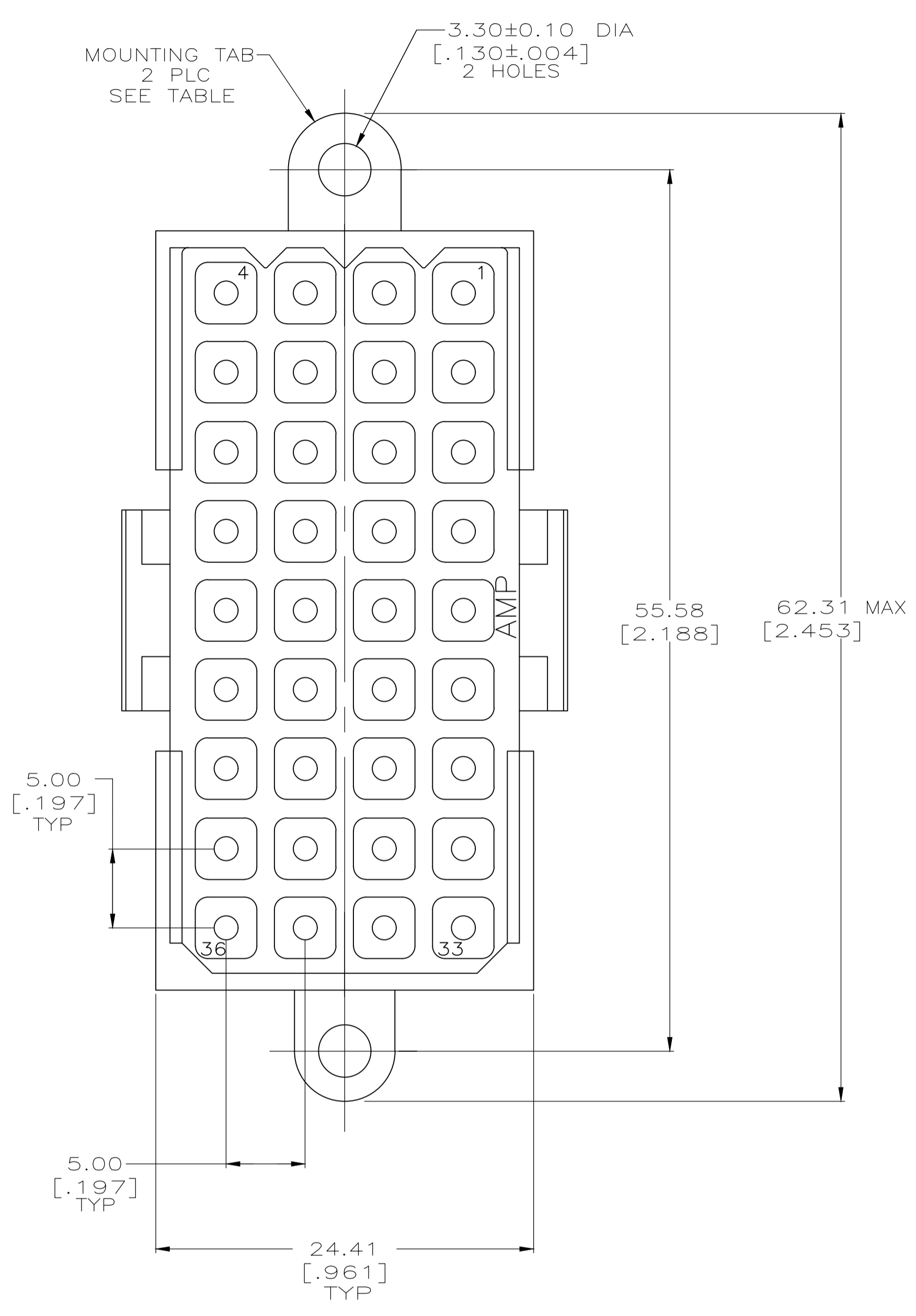


| REVISIONS | | | | | |
|-----------|-----------|---------------------------|----|-----|------|
| REV | DATE | DESCRIPTION | BY | CHK | APPV |
| Z | 24JAN2018 | REVISED PER ECO-12-007055 | RS | | MZ |
| AA | 13FEB2020 | REVISED PER ECO-20-002045 | RK | | MZ |



RECOMMENDED PC BOARD LAYOUT

- ① HOUSING MATERIAL: PA66, BLACK, UL 94 V-0 RATED.
- ② CONTACT MATERIAL: BRASS PER ASTM B36.
- ③ 3.81um [.000150] MIN TIN OVER 2.54um [.000100] MIN COPPER.
- ④ 0.76um [.000030] MIN GOLD FOR A LENGTH OF 5.08 [.200] FROM MATING END, 3.81um [.000150] MIN TIN-LEAD FOR A LENGTH OF 4.83 [.190] MIN FROM OPPOSITE END, BOTH OVER 1.27um [.000050] MIN NICKEL.
- ⑤ .000150 MIN TIN OVER .000100 MIN CU, OR .000050 MIN NICKEL.
- ⑥ 0.76um [.000030] MIN GOLD FOR A LENGTH OF 5.08 [.200] FROM MATING END, 3.81um [.000150] MIN TIN FOR A LENGTH OF 4.83 [.190] MIN FROM OPPOSITE END, BOTH OVER 1.27um [.000050] MIN NICKEL.

| REV | DATE | DESCRIPTION | BY | CHK | APPV |
|-----|------|-------------|----|-----|------------|
| 6 | | NO | | | 1-207121-0 |
| 6 | | YES | | | 207121-9 |
| 5 | | YES | | | 207121-8 |
| 4 | | NO | | | 207121-4 |
| 4 | | YES | | | 207121-3 |
| 3 | | NO | | | 207121-2 |
| 3 | | YES | | | 207121-1 |

| | | | | |
|--|--|---|-----------------------------|--|
| THIS DRAWING IS A CONTROLLED DOCUMENT. | | DIN L.SIPE 03/12/92 | TE Connectivity Ltd. | |
| DIMENSIONS: INCHES | | CHK: R.STONE 3-17-92 | APPROVED: A. TRAVIS 3-17-92 | |
| TOLERANCES UNLESS OTHERWISE SPECIFIED: | | NAME: PIN HEADER ASSEMBLY, 36 POSITION, METRIMATE | | |
| 0 PLC ± - | | PRODUCT SPEC: 108-10033 | | |
| 1 PLC ± - | | APPLICATION SPEC: - | | |
| 2 PLC ± 0.13 [.005] | | SIZE: A1 | | |
| 3 PLC ± - | | CAGE CODE: 00779 | | |
| 4 PLC ± - | | DRAWING NO: 207121 | | |
| ANGLES ± - | | RESTRICTED TO: - | | |
| FINISH: CONTACT: SEE TABLE | | WEIGHT: - | | |
| MATERIAL: 1 2 | | CUSTOMER DRAWING: - | | |
| | | SCALE: 4:1 | | |
| | | SHEET: 1 OF 1 | | |
| | | REV: AA | | |