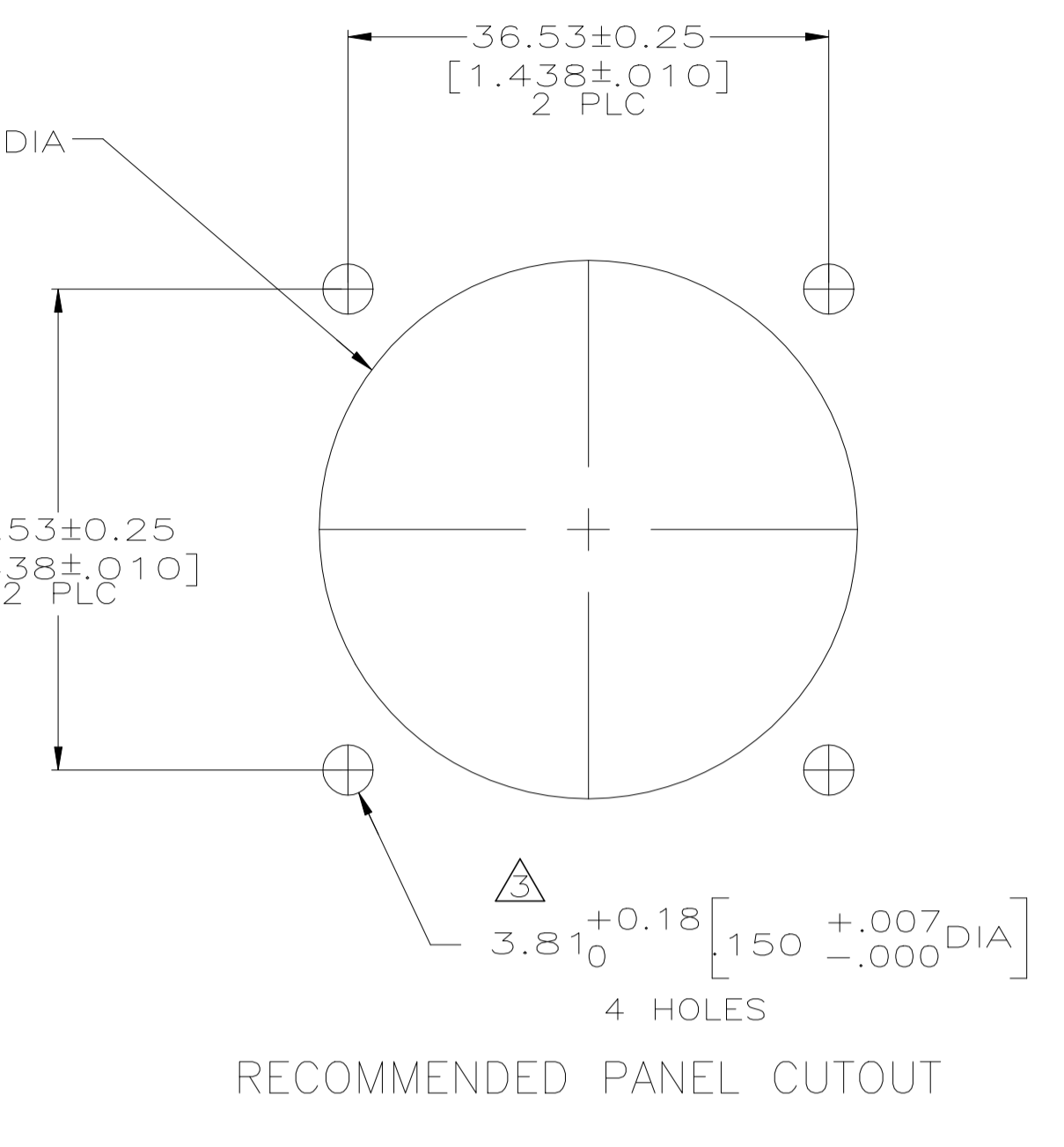
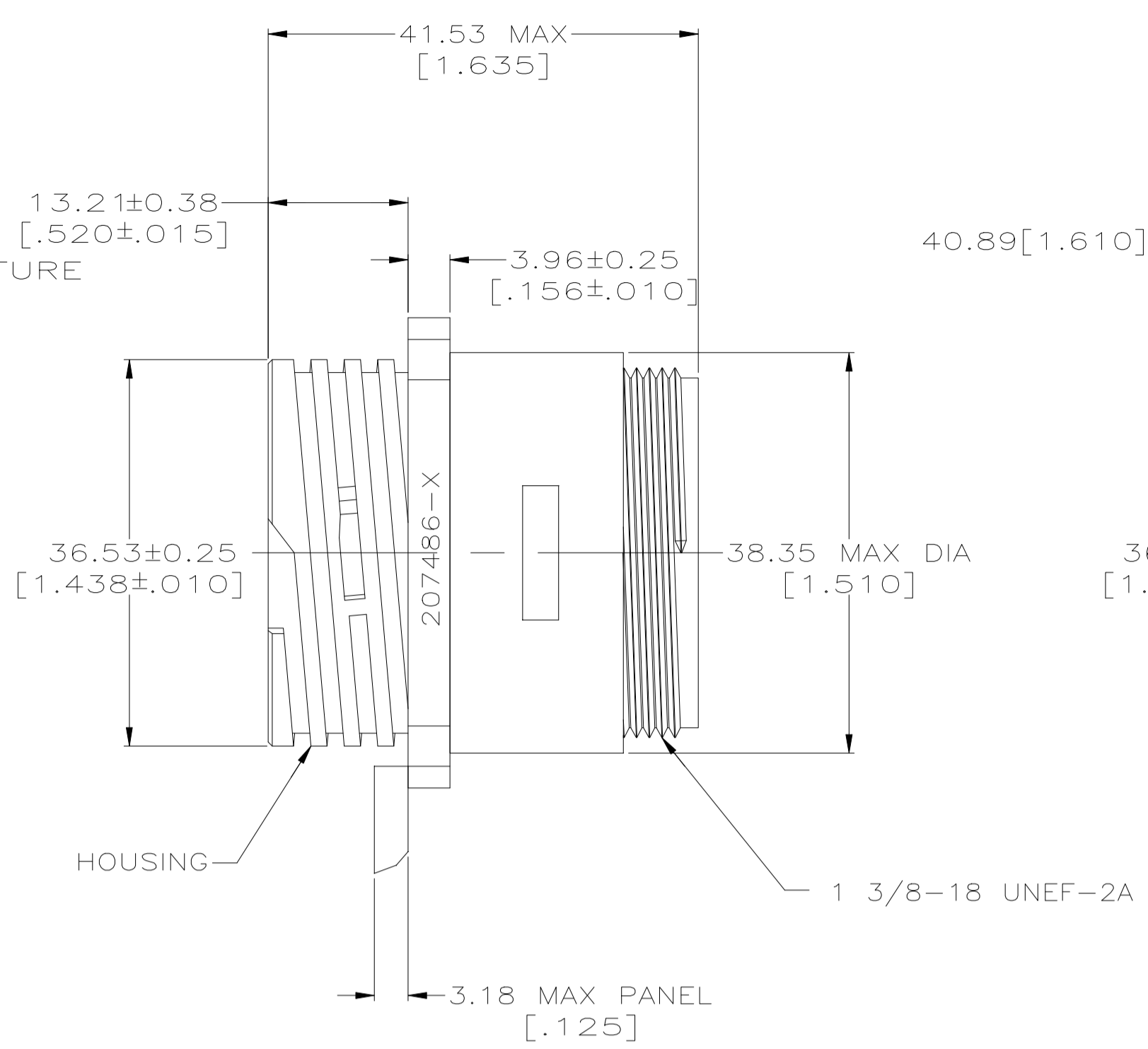
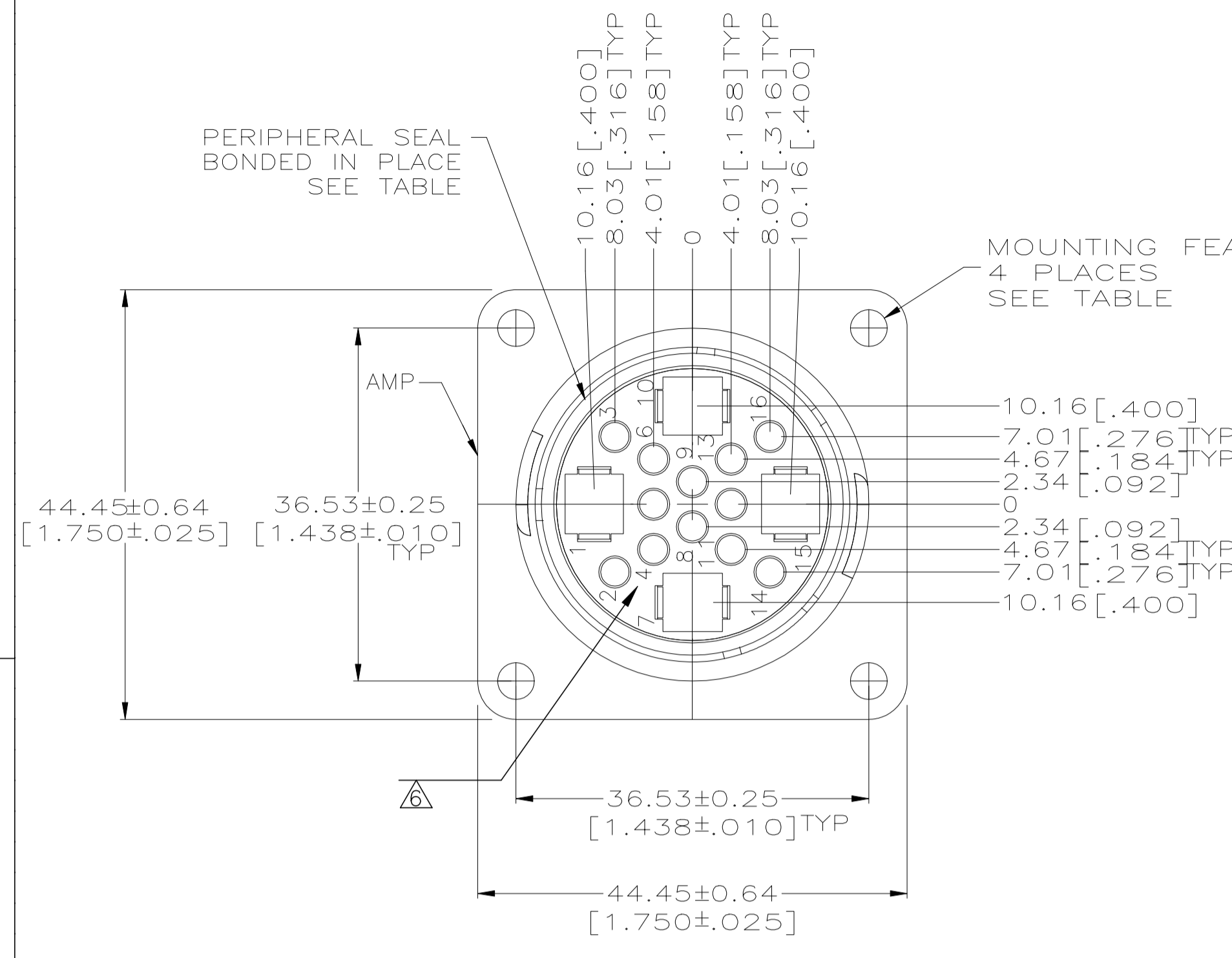
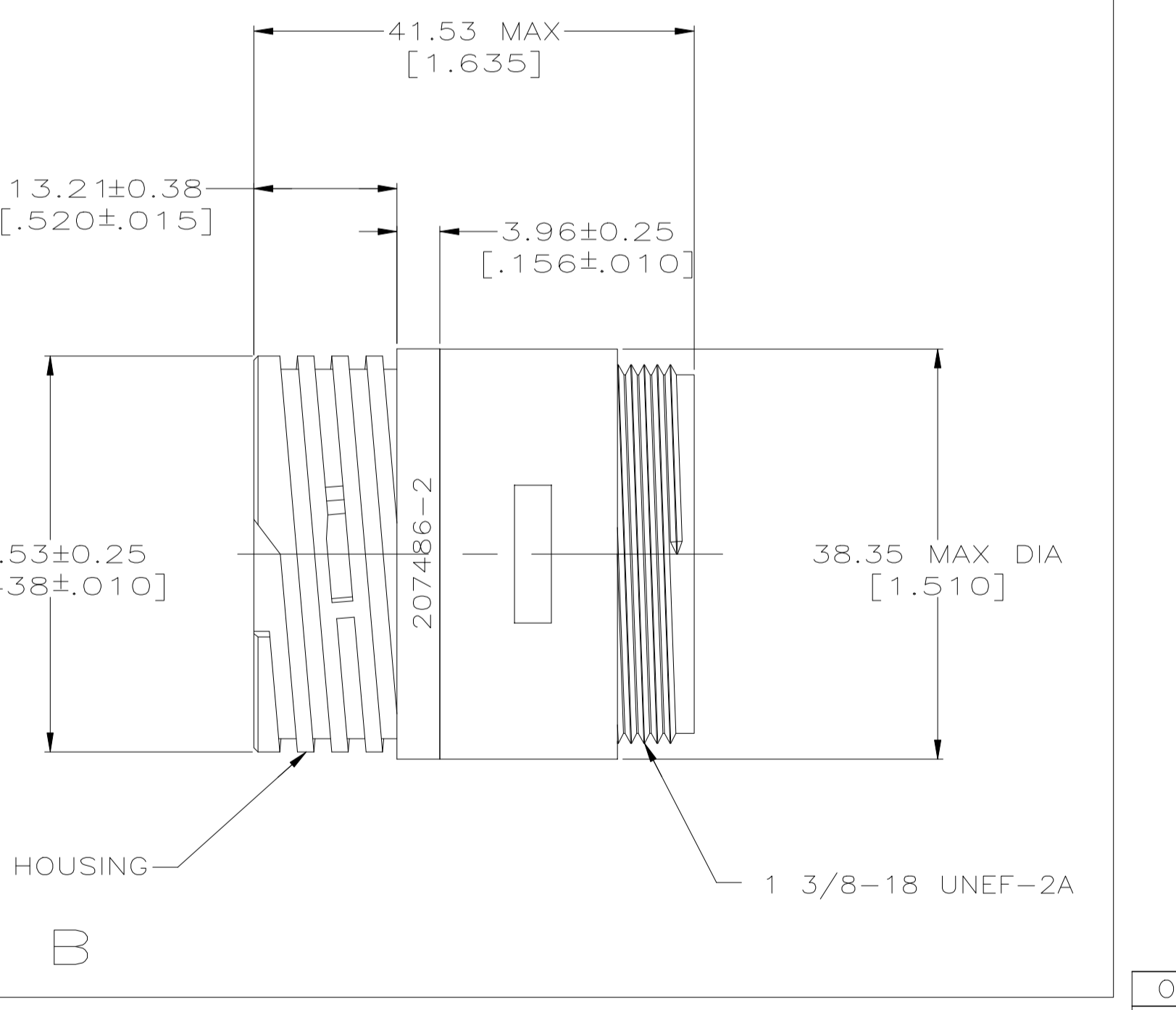
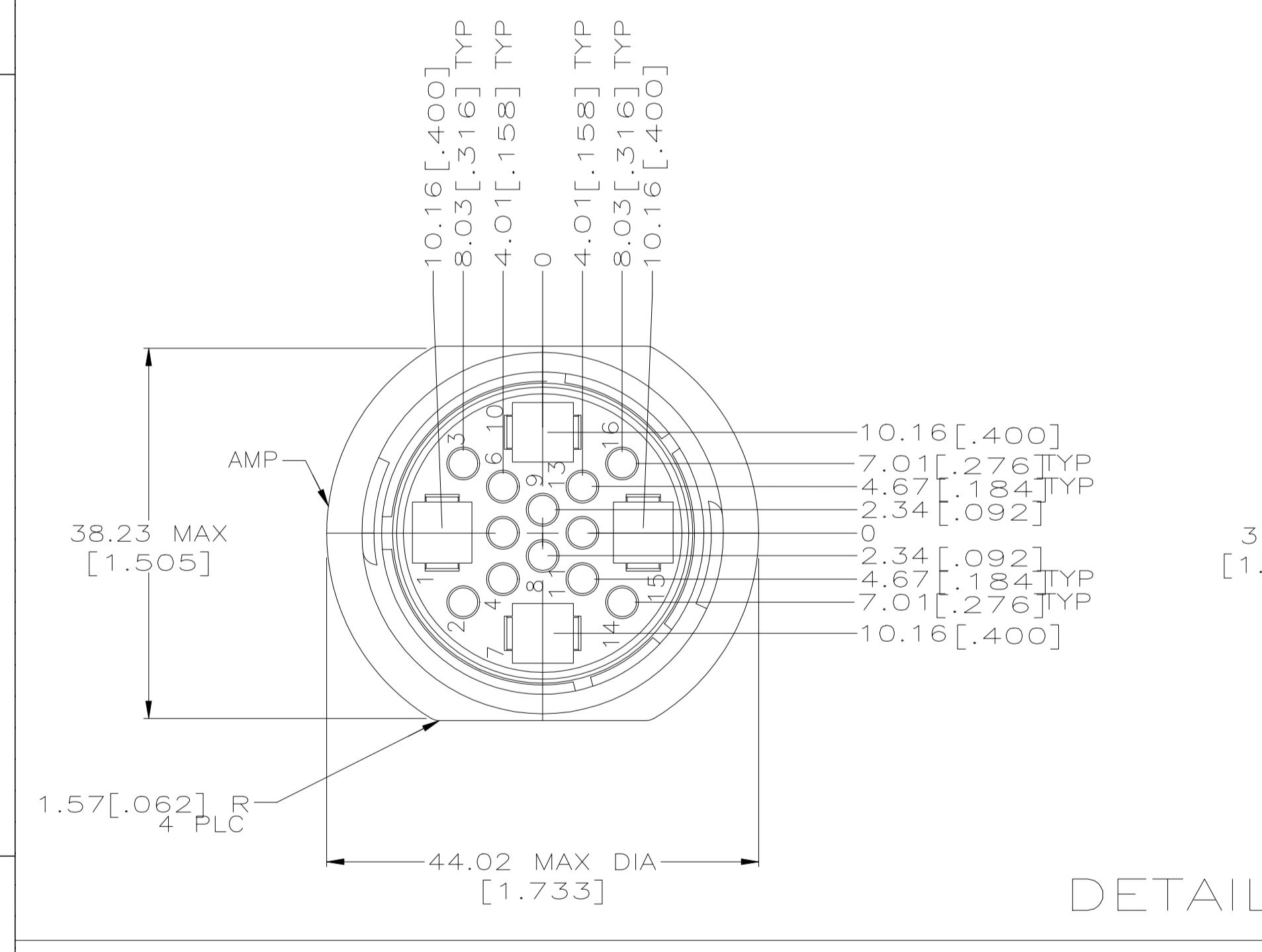


REVISIONS				
P	LTR	DESCRIPTION	DATE	APPD
S	REVISED PER	ECO-19-011232	07AUG2019	RS MZ
T	REVISED PER	ECO-19-014836	23OCT2019	RS MZ
T1	REVISED PER	ECO-20-001150	04MAR2020	SM MZ



DETAIL A



DETAIL B

- WILL ACCEPT (12) MULTIMATE AND (4) TYPE XII PIN CONTACTS.
 - CAVITY IDENTIFICATION ON FRONT AND REAR FACE.
 - NO. 4 FASTENERS RECOMMENDED FOR MOUNTING.
 - THIS CONNECTOR WILL ACCEPT INSULATION DIAMETERS UP TO 3.81[.150].
- △ HOUSING: NYLON, BLACK.
 PERIPHERAL SEAL: ELASTOMER, BLACK.
 THREADED INSERT: BRASS
 △ PERMANENT WHITE MARKED OR WHITE INK STAMPED CAVITY IDENTIFICATION.
 △ HOUSING: NYLON, RED.
 PERIPHERAL SEAL: ELASTOMER, GRAY.
 △ WHITE DOT NEAR POSITION 1 ON WIRE ENTRY FACE.

REVISION	DESCRIPTION	DATE	APPD	PART NUMBER
1	#4-40 THREADED INSERTS	NO	A	1-207486-2
2	Ø 3.81+/-0.08(.125+/-0.003) HOLES	YES	A	1-207486-1
3	Ø 3.81+/-0.08(.125+/-0.003) HOLES	YES	A	207486-9
4	Ø 3.81+/-0.08(.125+/-0.003) HOLES	YES	A	207486-7
5	#4-40 THREADED INSERTS	YES	A	207486-6
6	Ø 3.81+/-0.08(.125+/-0.003) HOLES	YES	A	207486-5
7	Ø 3.81+/-0.08(.125+/-0.003) HOLES	NO	B	207486-2
8	Ø 3.81+/-0.08(.125+/-0.003) HOLES	NO	A	207486-1

NOTES	MOUNTING FEATURES	PERIPHERAL SEAL	SEE DETAIL	PART NUMBER

THIS DRAWING IS A CONTROLLED DOCUMENT.

DIMENSIONS:	INCHES	TOLERANCES UNLESS OTHERWISE SPECIFIED:	0 PLC ± -	1 PLC ± -	2 PLC ± 0.13 [.005]	3 PLC ± -	4 PLC ± -	ANGLES ± -	FINISH -
-------------	--------	--	-----------	-----------	---------------------	-----------	-----------	------------	----------

DWN: M. BINNER 05/26/94
 CDR: R. STONE 6-23-94
 APVD: -
 PRODUCT SPEC: 108-10024
 APPLICATION SPEC: -
 MATERIAL: -
 WEIGHT: -
 CUSTOMER DRAWING

STE TE Connectivity
 RECEPTACLE HOUSING, STANDARD
 SEX, SHELL SIZE 23, CPC
 SIZE: A1 CAGE CODE: 00779 DRAWING NO: 207486
 SCALE: 2:1 SHEET: 1 OF 1 REV: T1