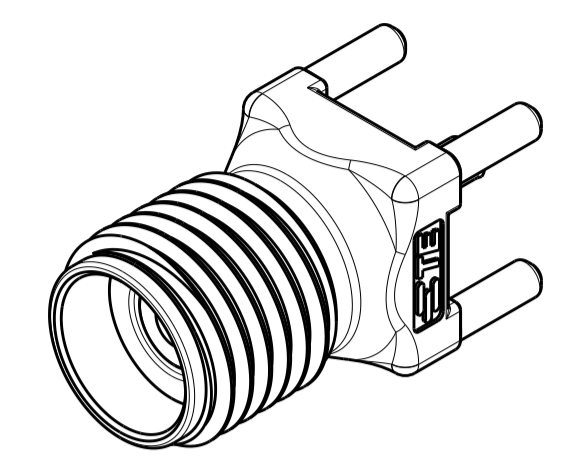
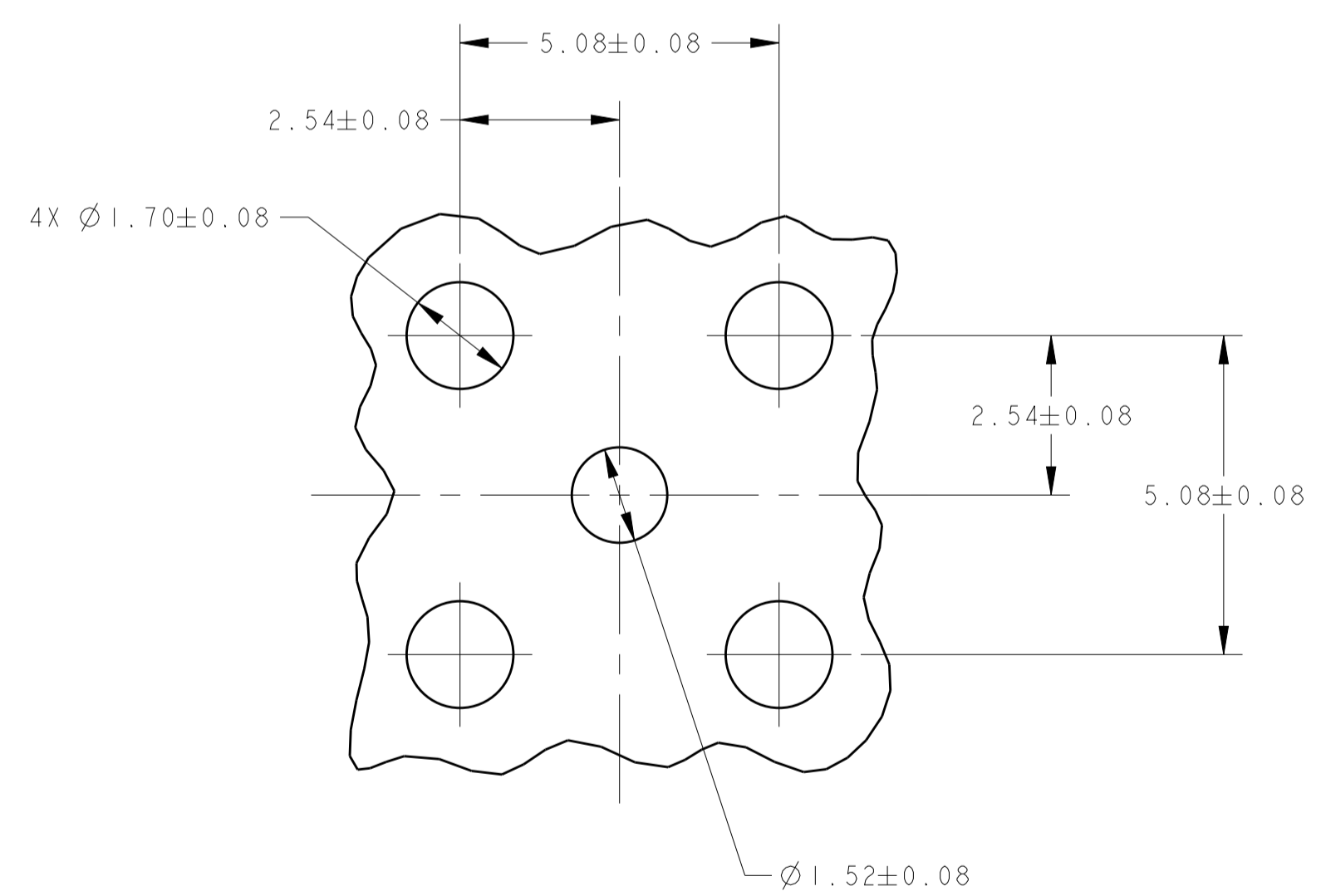
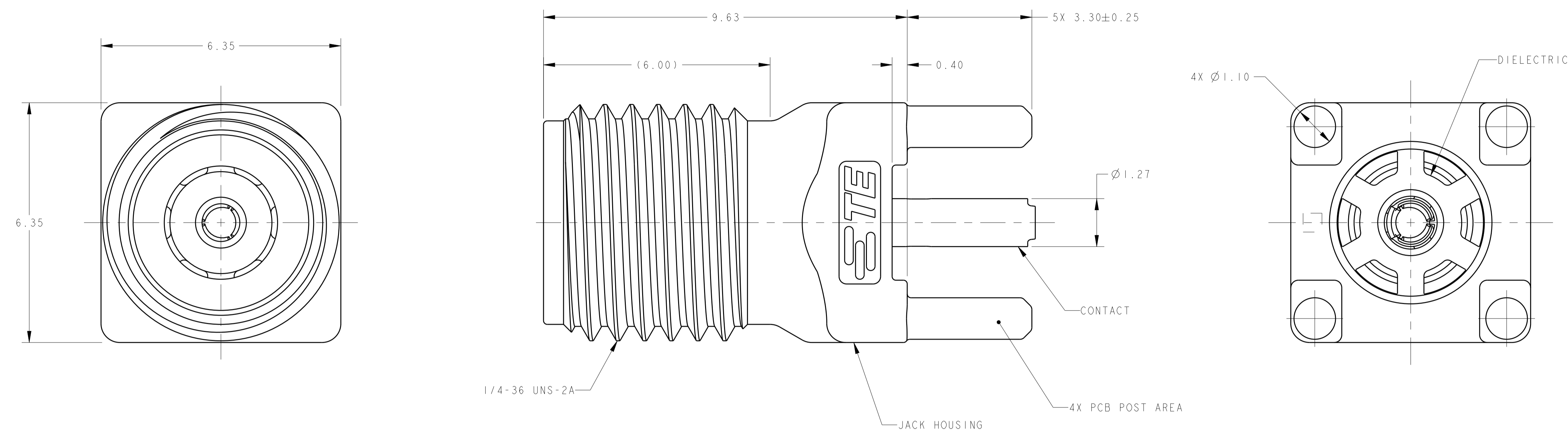


| LOC |     | DIST                     |           | REVISIONS |      |  |  |
|-----|-----|--------------------------|-----------|-----------|------|--|--|
| P   | LTN | DESCRIPTION              | DATE      | DWN       | APVD |  |  |
| AJ  | 00  |                          |           |           |      |  |  |
| A   |     | RELEASED                 | 28MAR2012 | KF        | KW   |  |  |
| A1  |     | REVISE PER ECO-13-011420 | 03JAN2017 | LN        | RS   |  |  |



SCALE 5:1



RECOMMENDED PCB LAYOUT  
SCALE 10:1

**OBSELETE**

- 1 MATERIAL:  
JACK HOUSING: ZINC.  
DIELECTRIC: POLYMETHYLPENTENE.  
SOCKET CONTACT: COPPER ALLOY.
- 2 FINISH:  
JACK HOUSING: NICKEL PLATE WITH TINNED PCB POST AREA.  
SOCKET CONTACT: SELECTIVE GOLD PLATED AT MATING INTERFACE;  
SELECTIVE TIN PLATED AT PCB INTERFACE;  
NICKEL UNDERPLATED.
- 3. THIS PRODUCT IS CAPABLE OF LEAD-FREE WAVE SOLDER PROCESSING.
- 4. ROHS COMPLIANT.

|           |             |                            |
|-----------|-------------|----------------------------|
| TRAY      | 2081233-2   | SMA-JS-P2-T                |
| SINGLE    | 2081233-1   | SMA-JS-P2-S                |
| PACKAGING | PART NUMBER | PART NUMBER (CONFIGURABLE) |

|  |       |                                 |   |             |            |               |
|--|-------|---------------------------------|---|-------------|------------|---------------|
| THIS DRAWING IS A CONTROLLED DOCUMENT. |       | DWN<br>K. FOLTZ<br>28MAR2012    | TE Connectivity<br>NAME<br>SMA, PCB, VERTICAL,<br>JACK ASSEMBLY |             |            |               |
| DIMENSIONS:                            |       | CHK<br>K. WEIDNER<br>28MAR2012  |   |             |            |               |
| TOLERANCES UNLESS OTHERWISE SPECIFIED: |       | APVD<br>K. WEIDNER<br>28MAR2012 |   |             |            |               |
| mm                                     |       | PRODUCT SPEC                    |   |             |            |               |
| 0 PLC                                  | ±     | 108-60094                       | SIZE  | CAGE CODE   | DRAWING NO | RESTRICTED TO |
| 2 PLC                                  | ±0.10 | APPLICATION SPEC                | A100779   | ©=SMA-JS-P2 |            |               |
| 3 PLC                                  | ±     |                                 | SCALE   | 15:1        | SHEET      | 1 OF 1        |
| 4 PLC                                  | ±     |                                 | WEIGHT  |             | REV        | A1            |
| ANGLES                                 | ±1°   |                                 | CUSTOMER DRAWING  |             |            |               |