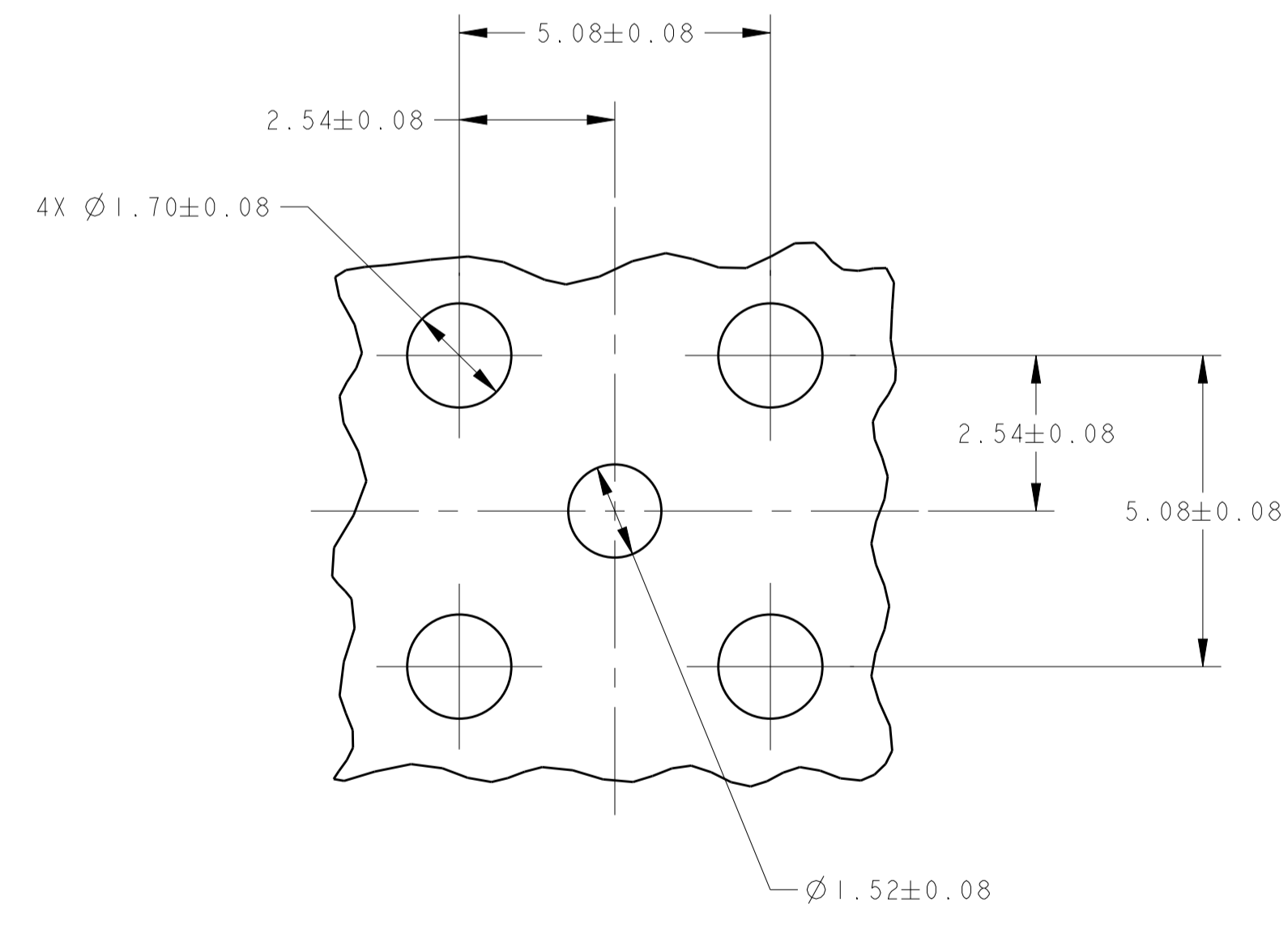
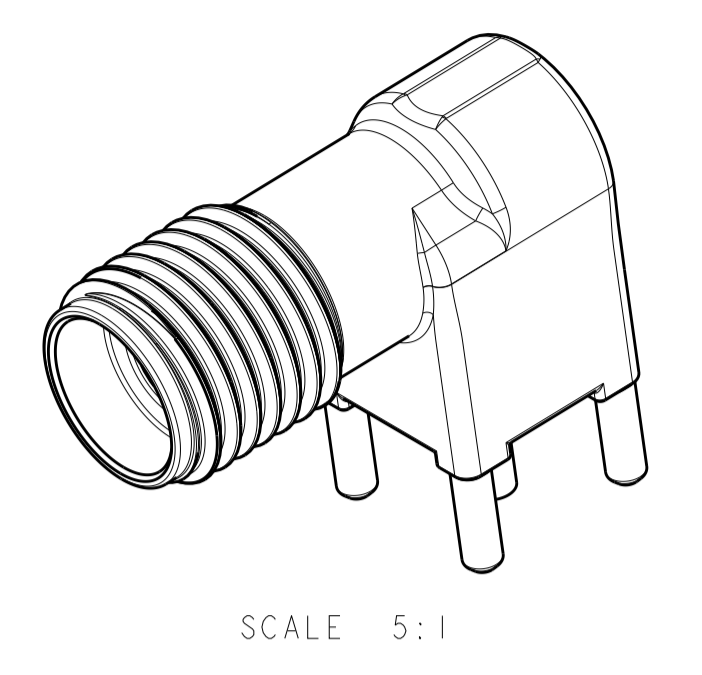
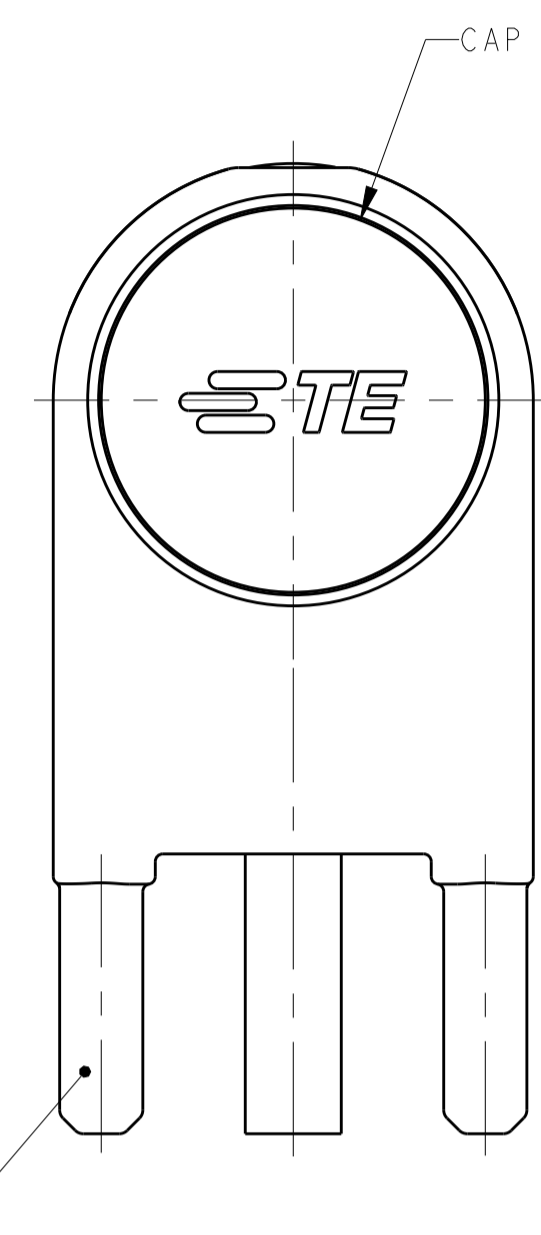
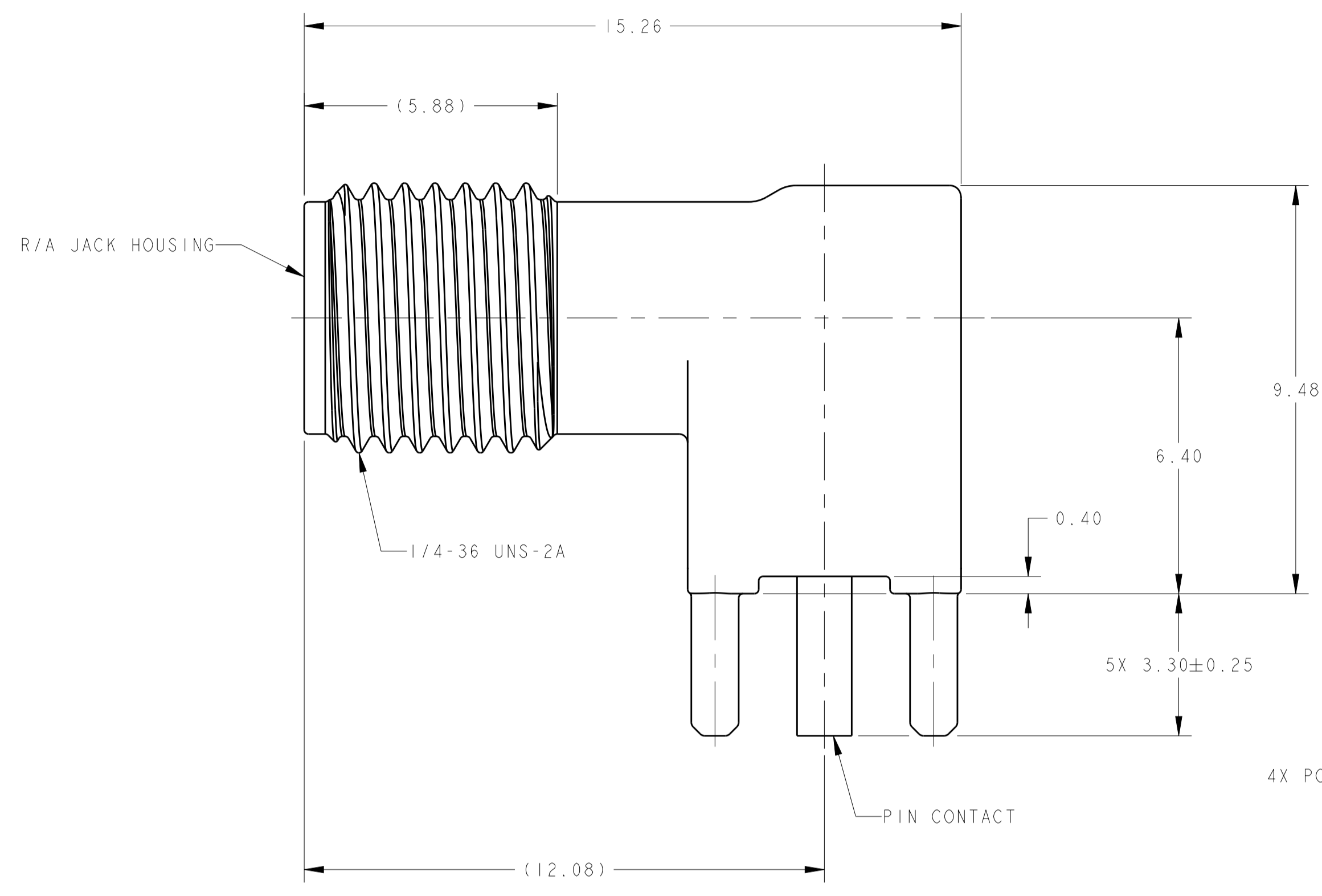
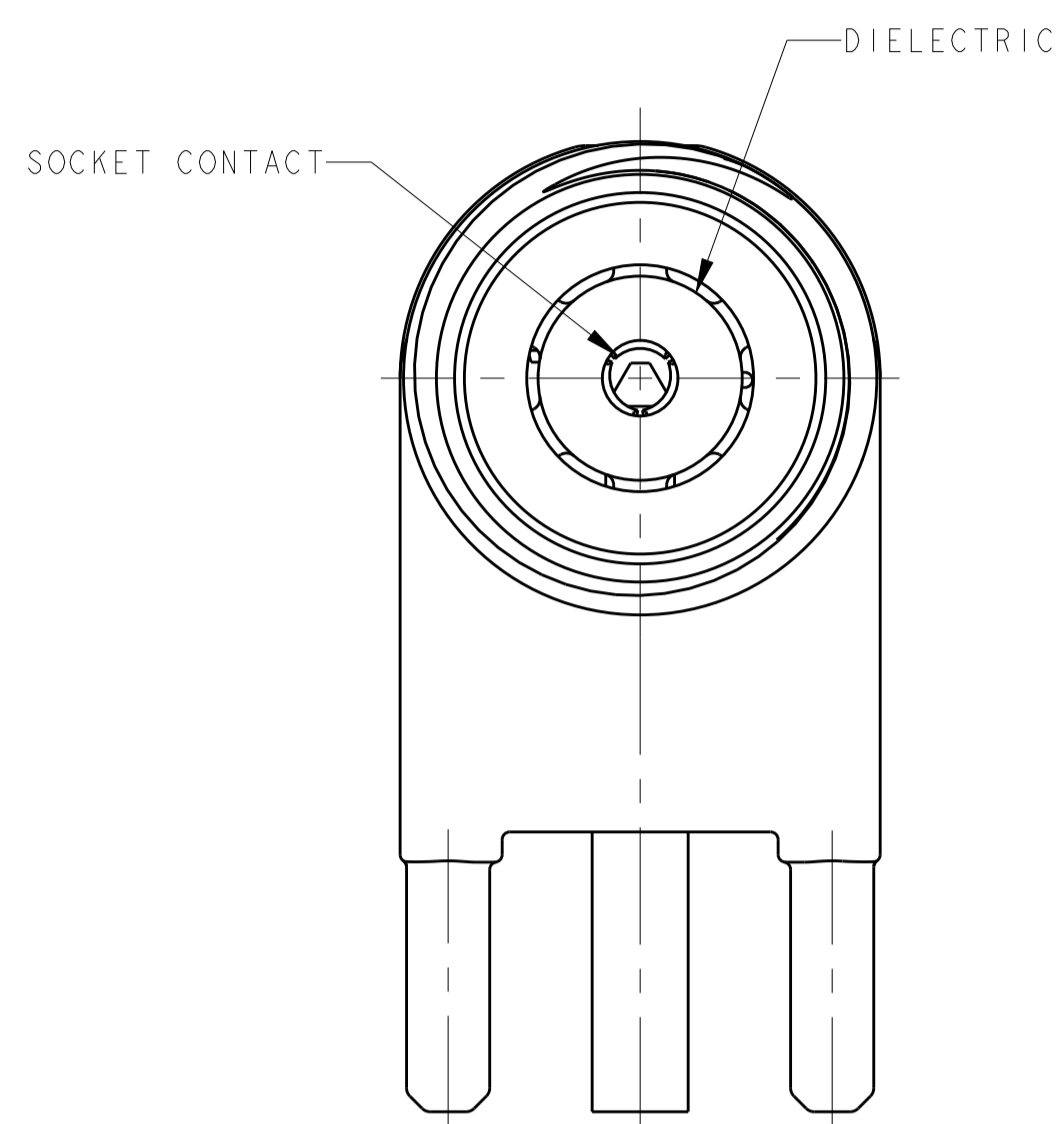
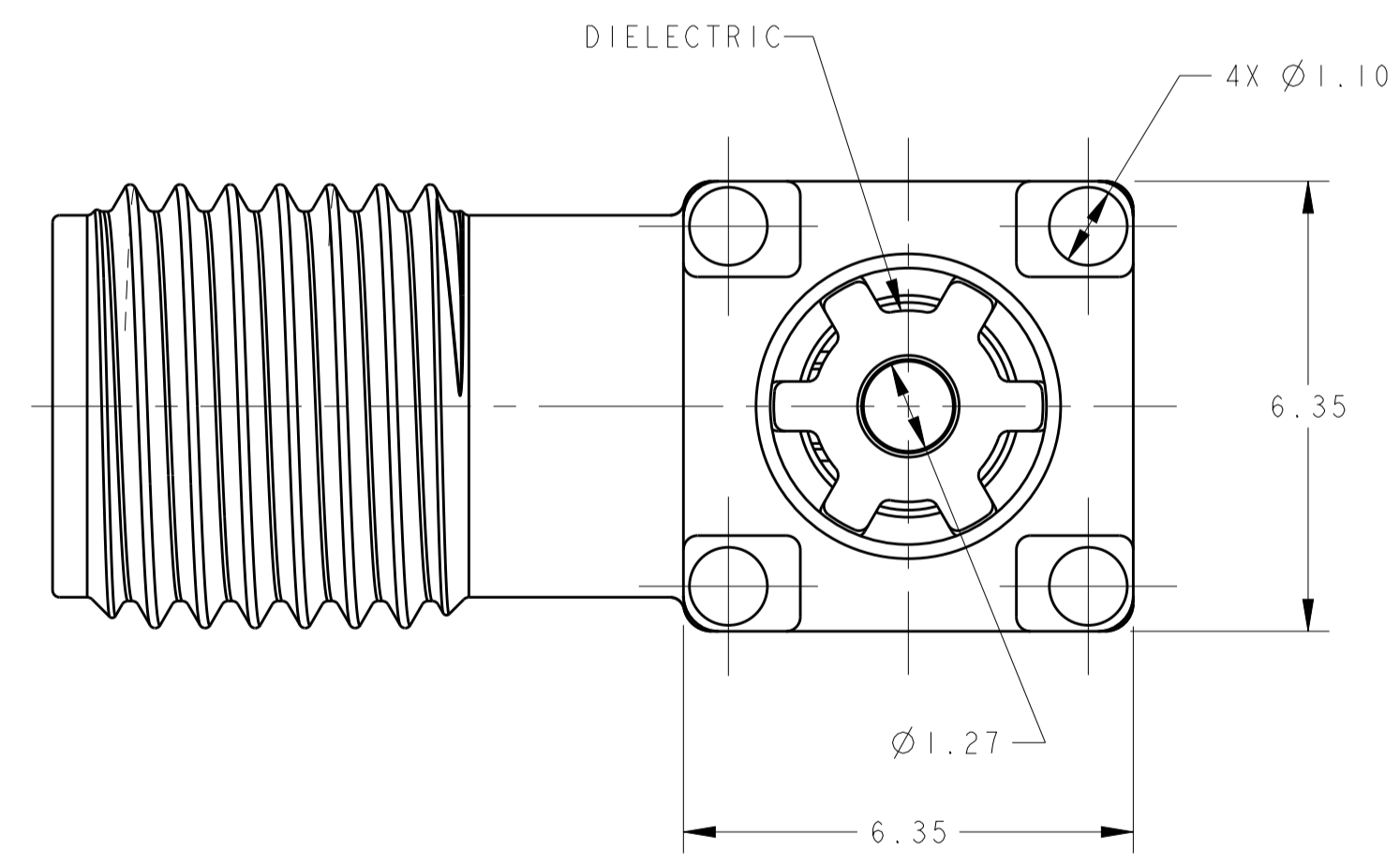


LOC	DIST	REVISIONS					
		P	LTN	DESCRIPTION	DATE	DWN	APVD
AJ	00	A		RELEASED.	11JUN2012	KF	KW
		A1		REVISE PER ECO-13-011420	03JAN2017	LN	RS



RECOMMENDED PCB LAYOUT
SCALE 10:1



OBSOLETE

- 1 MATERIAL:
R/A JACK HOUSING: ZINC.
DIELECTRIC: POLYMETHYLPENTENE.
SOCKET CONTACT, PIN CONTACT, AND CAP: COPPER ALLOY.
- 2 FINISH:
R/A JACK HOUSING: NICKEL PLATE WITH TINNED PCB POST AREA.
SOCKET CONTACT: SELECTIVE GOLD PLATED AT MATING INTERFACE;
SELECTIVE TIN PLATED AT PIN CONTACT INTERFACE;
NICKEL UNDERPLATED.
PIN CONTACT AND CAP: TIN PLATED.
3. THIS PRODUCT IS CAPABLE OF LEAD-FREE WAVE SOLDER PROCESSING.
4. ROHS COMPLIANT.

TRAY	2081235-2	SMA-JR-P2-T
SINGLE	2081235-1	SMA-JR-P2-S
PACKAGING	PART NUMBER	PART NUMBER (CONFIGURABLE)

THIS DRAWING IS A CONTROLLED DOCUMENT.		DWN K. FOLTZ 02APR2012	TE Connectivity NAME SMA, PCB, RIGHT ANGLE, JACK ASSEMBLY
DIMENSIONS:		CHK K. WEIDNER 02APR2012	
TOLERANCES UNLESS OTHERWISE SPECIFIED:		APVD K. WEIDNER 02APR2012	
mm		PRODUCT SPEC 108-60094	
0 PLC ± 2 PLC ±0.10 3 PLC ± 4 PLC ± ANGLES ±1°		APPLICATION SPEC	SIZE CAGE CODE DRAWING NO RESTRICTED TO
MATERIAL		WEIGHT	A100779C=SMA-JR-P2
FINISH		CUSTOMER DRAWING	SCALE 10:1 SHEET 1 OF 1 REV A1