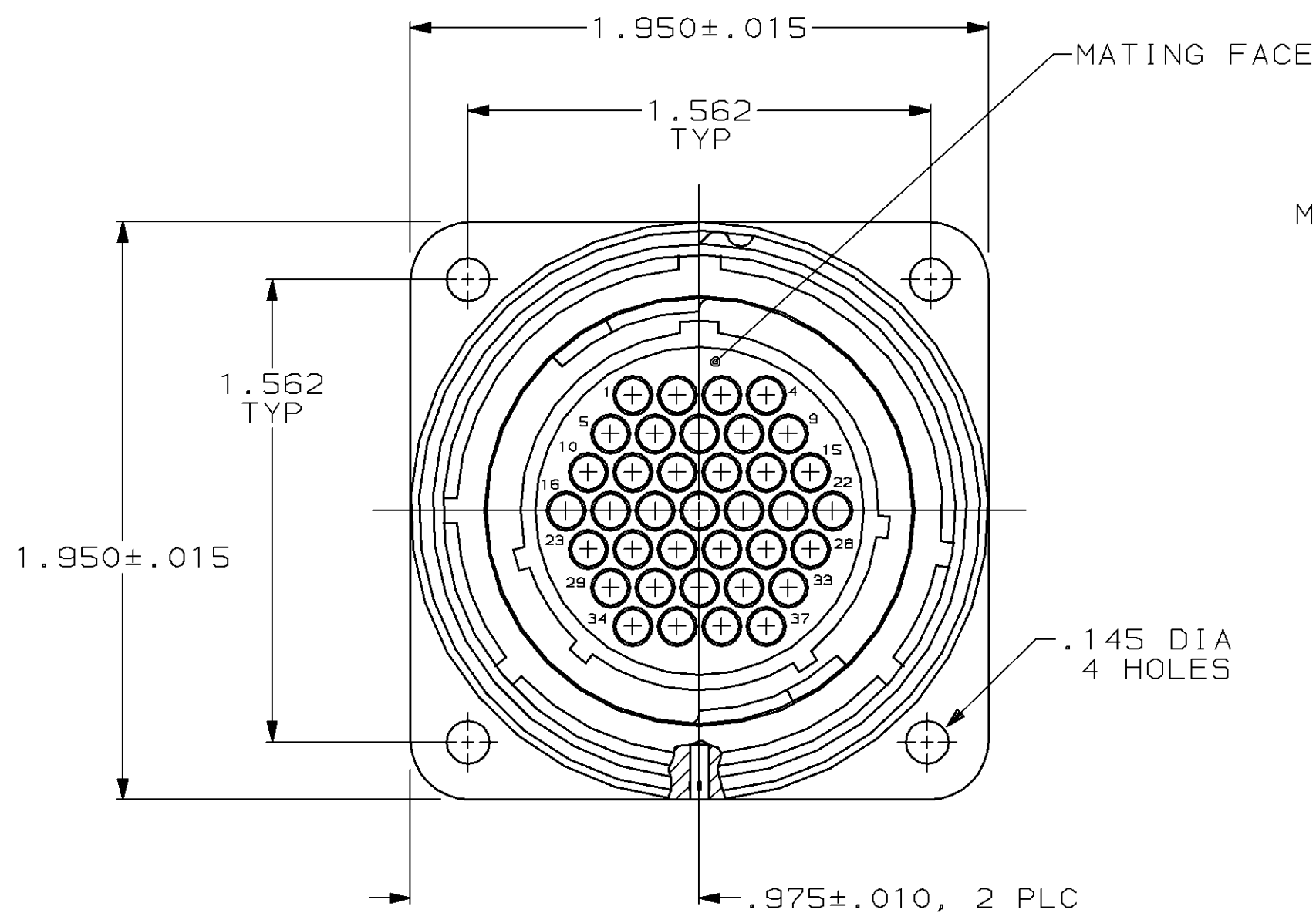


MOD		LOC		DIST		REVISIONS			
ZONE	LTR	DESCRIPTION	DATE	APPD					
4	BD	35	P	F	H	REDRAWN	6-25-91	-	
					J	OBS -2 PER EC 0020-0394-93	11/17/94	RK	



RECEPTACLE, STD SEX, ARRANGEMENT 23-37  
 MATERIAL: THERMOPLASTIC  
 COLOR: BLACK

METAL SHELL RECEPTACLE  
 MATERIAL: ZINC ALLOY  
 FINISH: NICKEL PLATED PER QQ-N-290

GROOVE PIN, 2 PLC  
 MATERIAL: STEEL ALLOY  
 FINISH: NICKEL PLATED PER QQ-N-290

PERIPHERAL SEAL  
 SEE TABLE

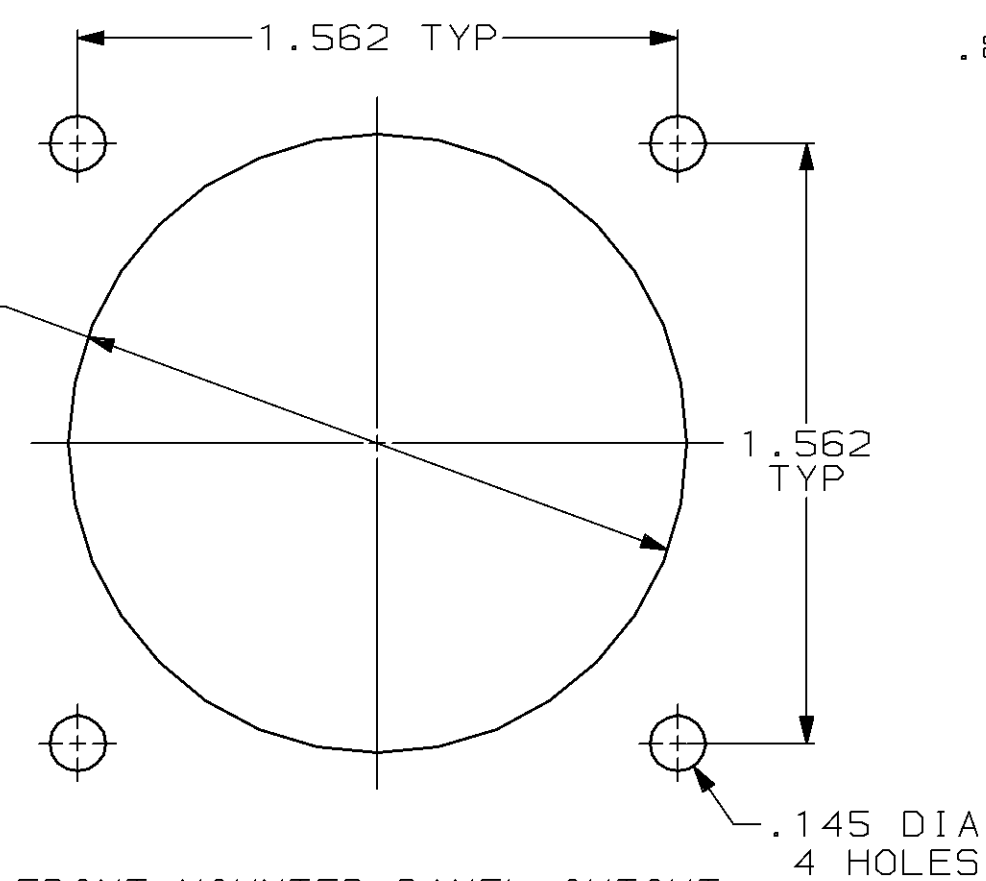
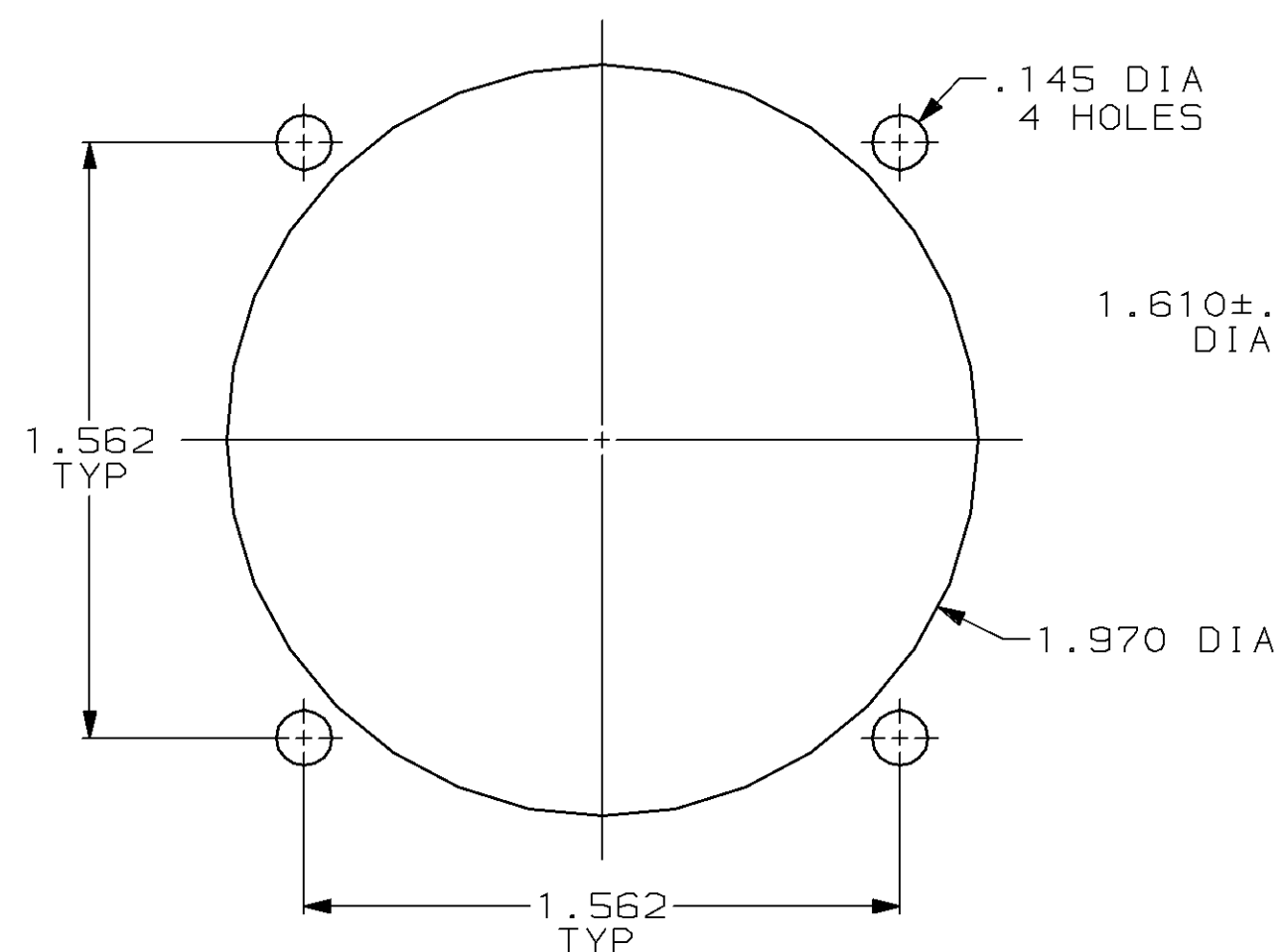
1.900 MAX

.125 MAX  
 PANEL THK

.875±.010

.125±.010

1.540 MAX



REAR MOUNTED PANEL CUTOUT

FRONT MOUNTED PANEL CUTOUT

OBSOLETE	YES	208471-2
	NO	208471-1
PERIPHERAL SEAL		PART NUMBER

- 208471-1 MATES WITH AMP PLUG 208470-1 OR -3. 208471-2 MATES WITH 208470-1 ONLY.
- AMP PART NUMBER AND DATE CODE TO BE LOCATED ON EDGE OF FLANGE.

DO NOT SCALE PRINT. UNLESS SPECIFIED DIMENSIONS IN INCHES TOLERANCES ON :	DR 6-25-91 R.LEE BG	AMP Incorporated Harrisburg, PA 17105-3608
	CHK 4-15-92 W.G.LENKER	
MATERIAL	APPD 4-15-92 K.BEAVER	NAME RECEPTACLE ASSEMBLY, STD SEX, SERIES 1, 28-37, CMC
	APPD 4-15-92 C.ROHDE	
SEE CALLOUT	PRODUCT SPEC 108-10040	SIZE C 00779
FINISH	APPLICATION SPEC -	CAGE CODE 00779
SEE CALLOUT	WEIGHT -	DRAWING NO 208471
		SCALE 2:1
		SHEET 1 OF 1