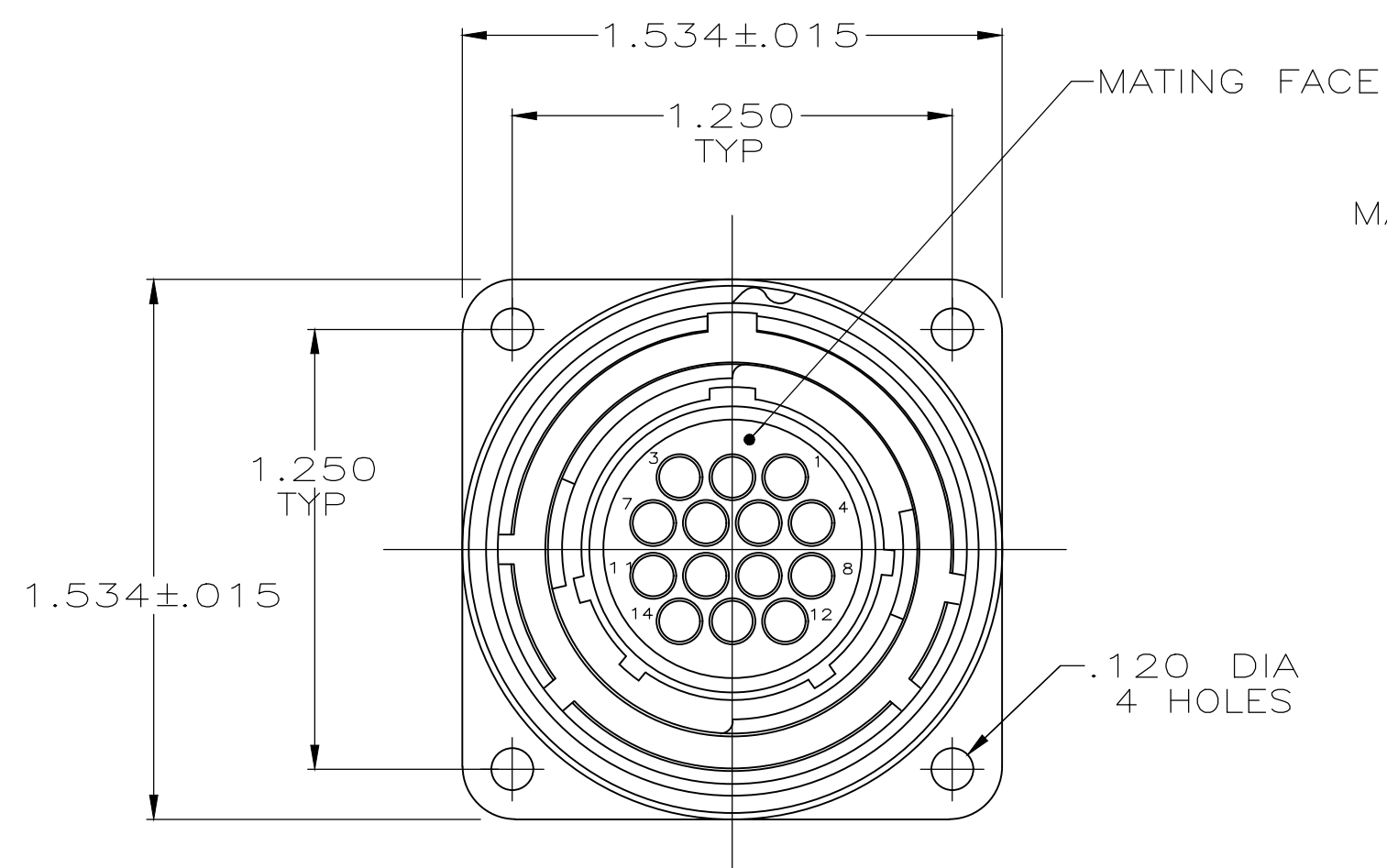
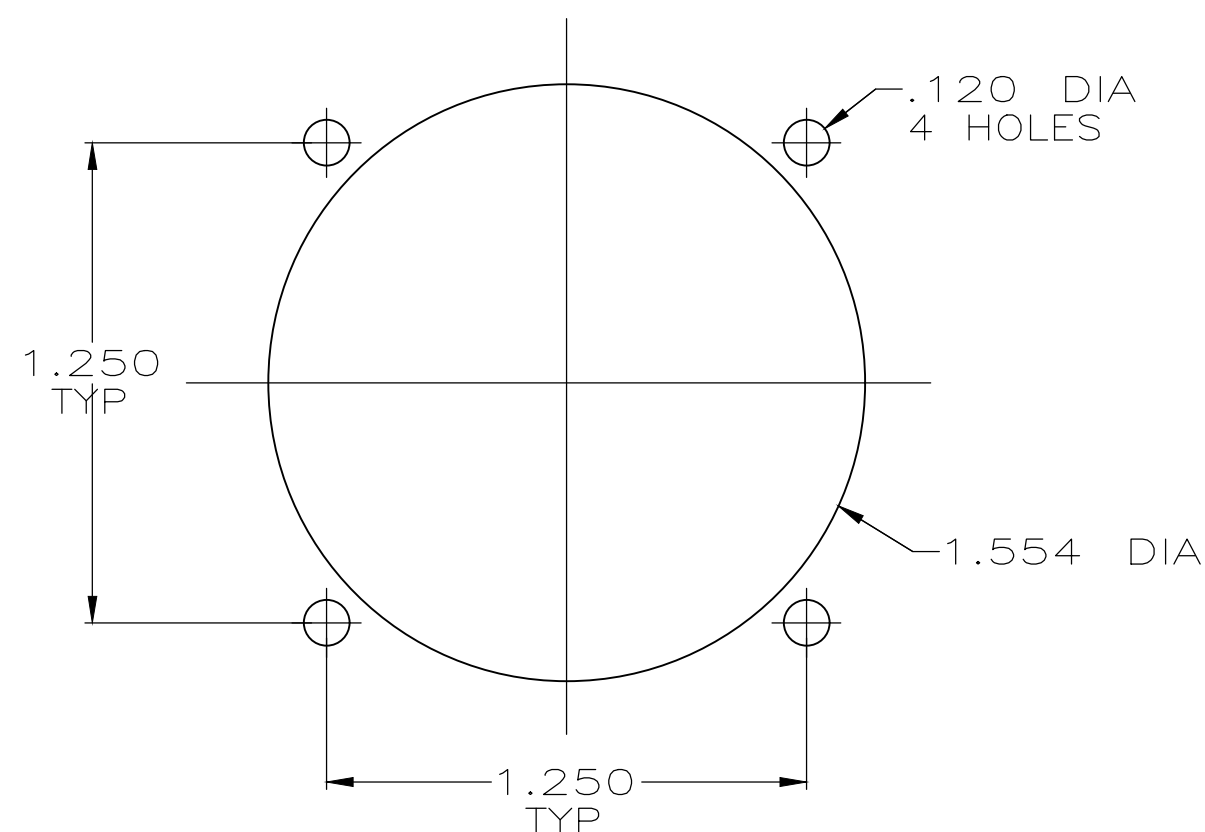
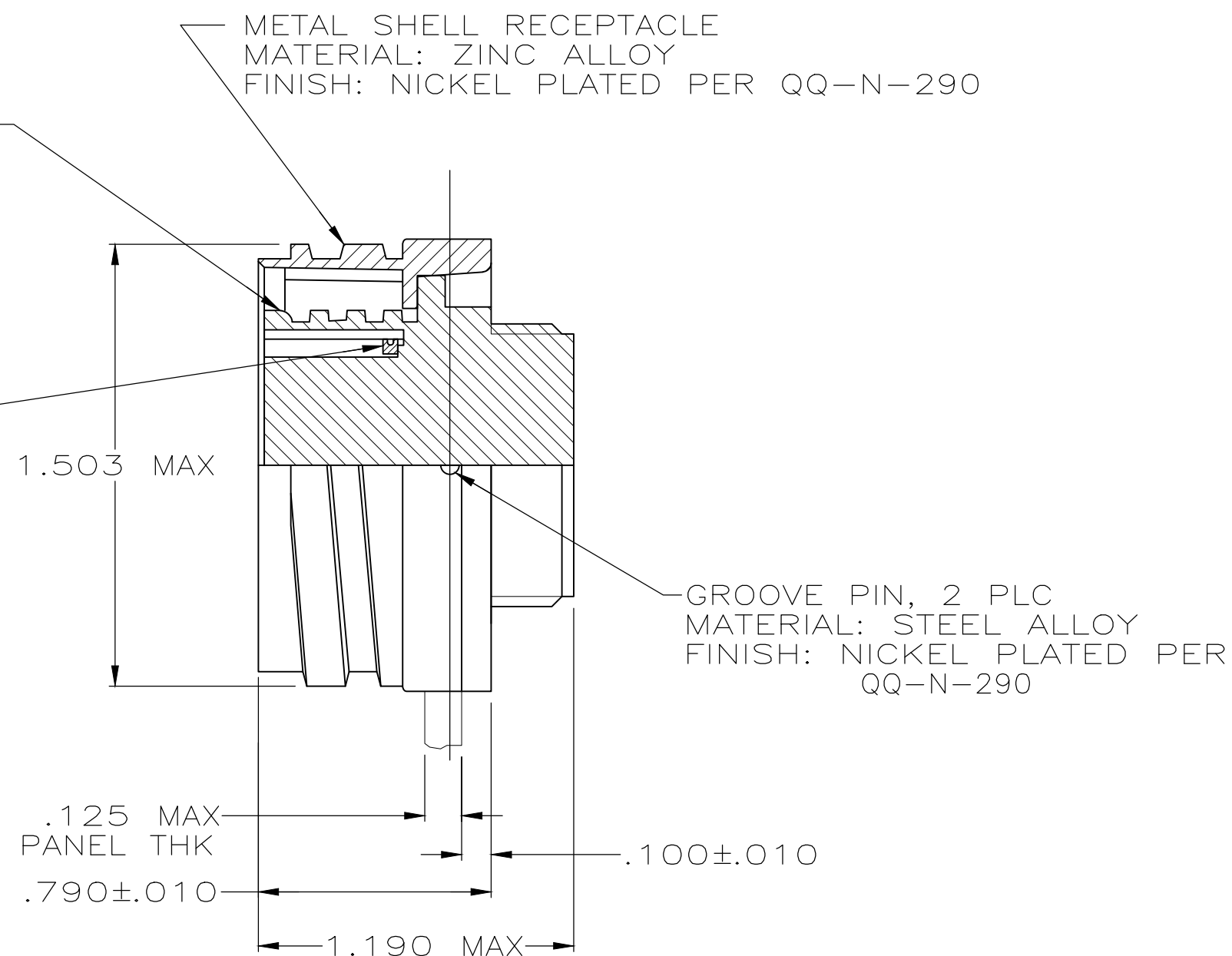


THIS DRAWING IS UNPUBLISHED. RELEASED FOR PUBLICATION  
 © COPYRIGHT - TE Connectivity Ltd. ALL RIGHTS RESERVED.

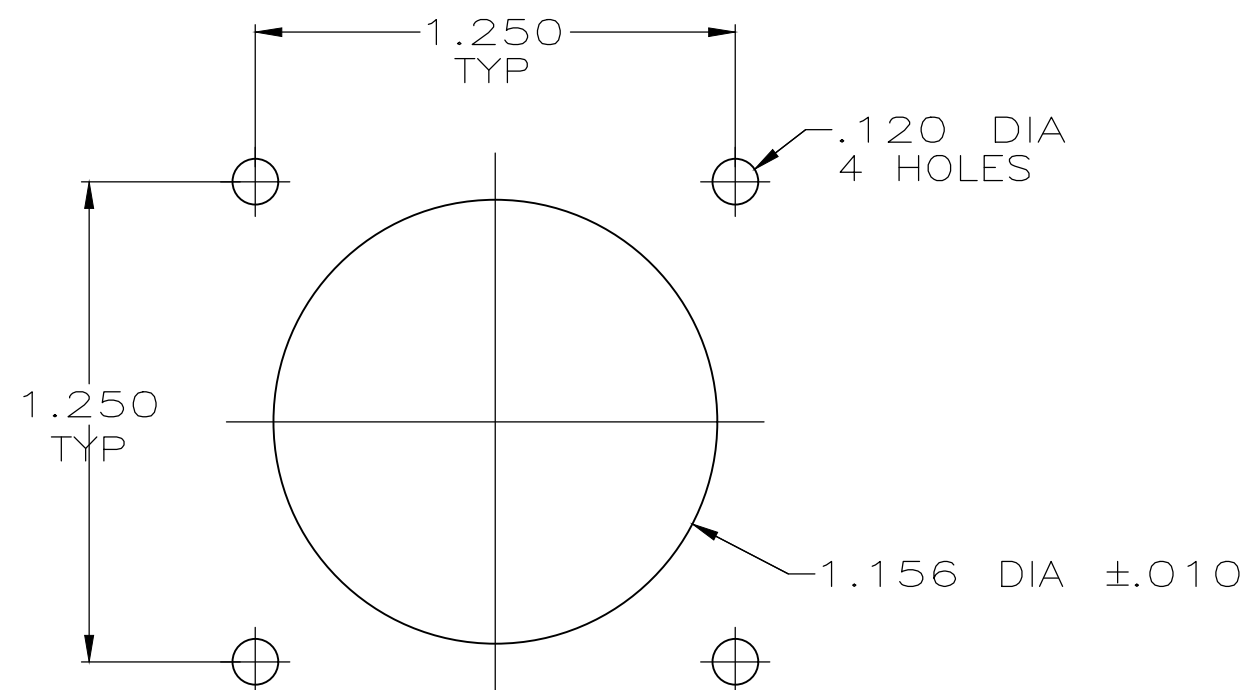
REVISIONS					
P	LTR	DESCRIPTION	DATE	DWN	APVD
K		REVISED PER ECO-18-007010	23MAY18	KH	MZ



RECEPTACLE, REV SEX  
 ARRANGEMENT 17-14  
 MATERIAL: THERMOPLASTIC  
 COLOR: BLACK



REAR MOUNTED PANEL CUTOUT



FRONT MOUNTED PANEL CUTOUT

- 208487-1 MATES WITH AMP PLUG 208486-1 OR -3.  
208487-2 MATES WITH 208486-1 ONLY.
- THIS RECEPTACLE ACCEPTS FOURTEEN (14) MULTIMATE SOCKET CONTACTS. MAXIMUM WIRE INSULATION DIAMETER = .105.
- PART NUMBER AND DATE CODE MARKED ON ANY ANY FLANGE EDGE.

OBSOLETE	YES	208487-2
	NO	208487-1
	PERIPHERAL SEAL	PART NUMBER

THIS DRAWING IS A CONTROLLED DOCUMENT.		DWN R.LEE BG 6-27-91	TE Connectivity Ltd.	
DIMENSIONS: INCHES		CHK W.G.LENKER 4-15-92	NAME K.BEAVER 4-15-92	
TOLERANCES UNLESS OTHERWISE SPECIFIED:		APVD K.BEAVER 4-15-92	PRODUCT SPEC 108-10040	
0 PLC ± -		APPLICATION SPEC	SIZE A2	CAGE CODE 00779
1 PLC ± -		WEIGHT 0	DRAWING NO C-208487	RESTRICTED TO -
2 PLC ± -		CUSTOMER DRAWING		
3 PLC ± .005		SCALE 2:1	SHEET 1 of 1	REV K
4 PLC ± -				
ANGLES ± -				
MATERIAL SEE CALLOUT		FINISH SEE CALLOUT		