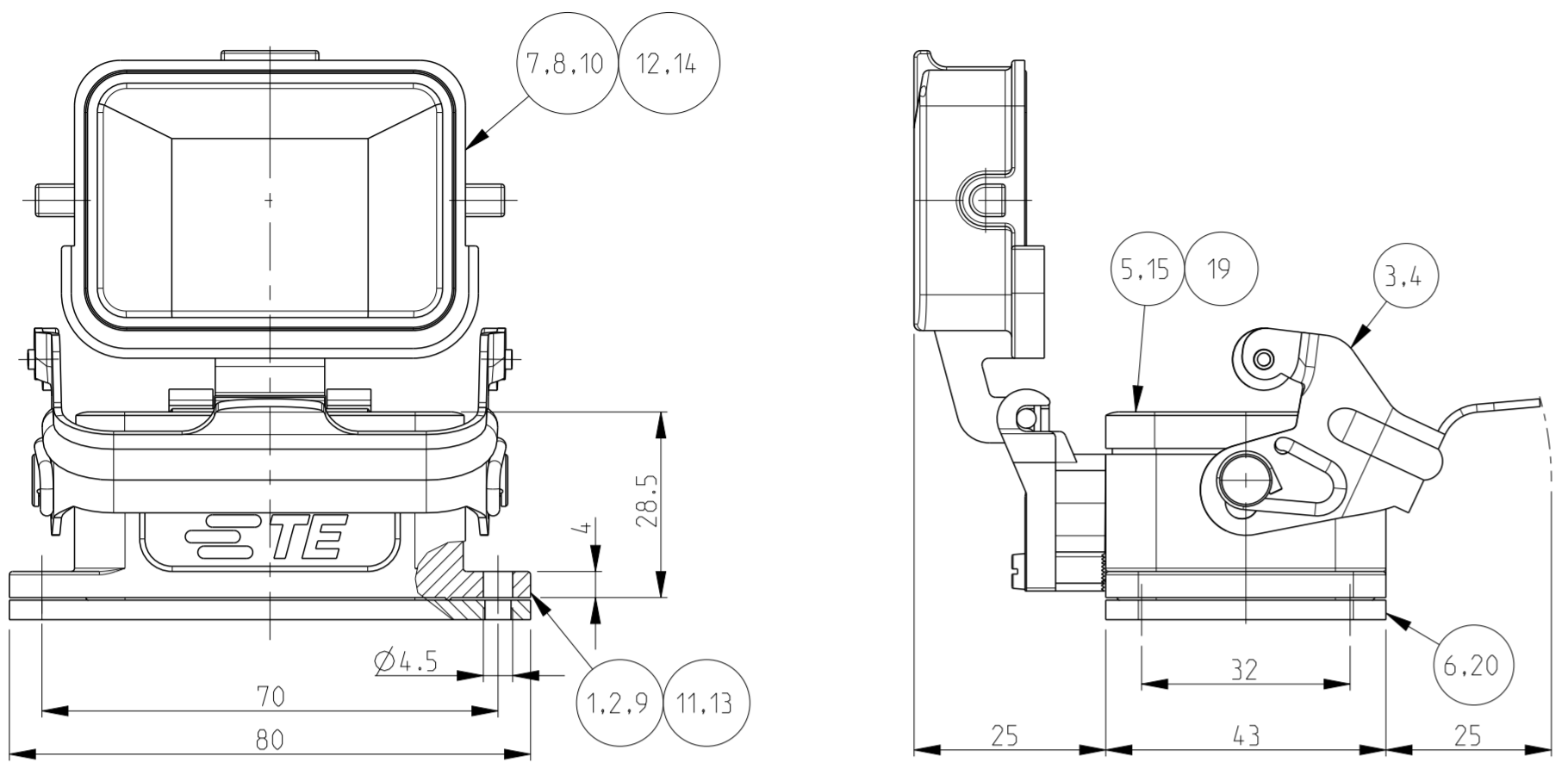


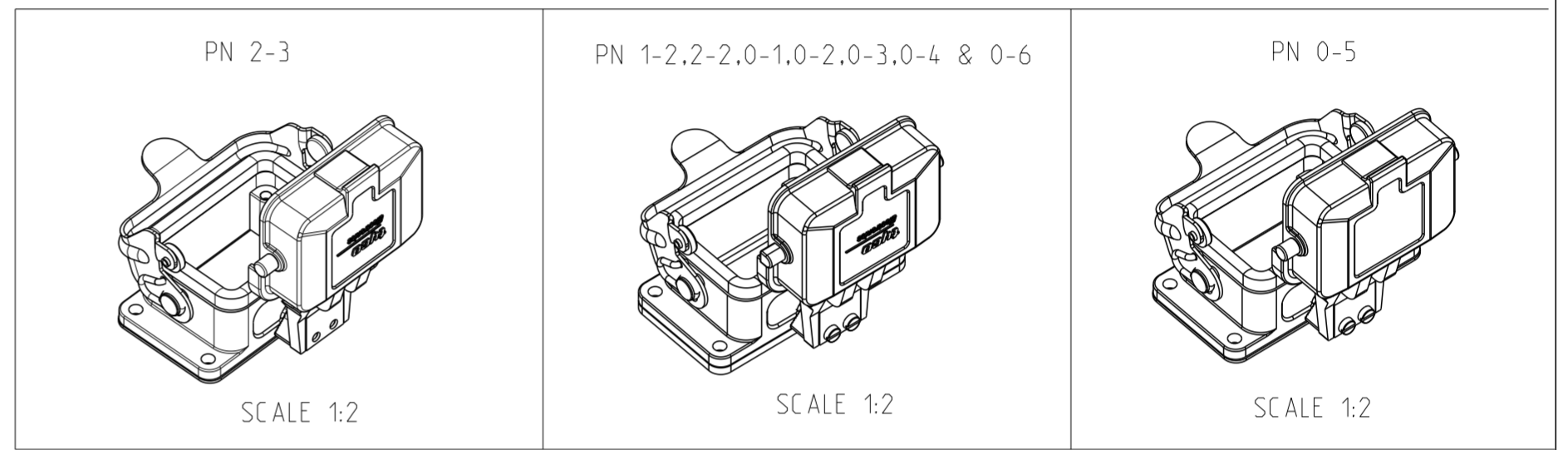
THIS DRAWING IS UNPUBLISHED. RELEASED FOR PUBLICATION .1997  
 © COPYRIGHT 1997 BY - ALL RIGHTS RESERVED.

REVISIONS					
P	LTR	DESCRIPTION	DATE	DWN	APVD
	B3	ECR-17-013084	29MAR2018	SG	MKO

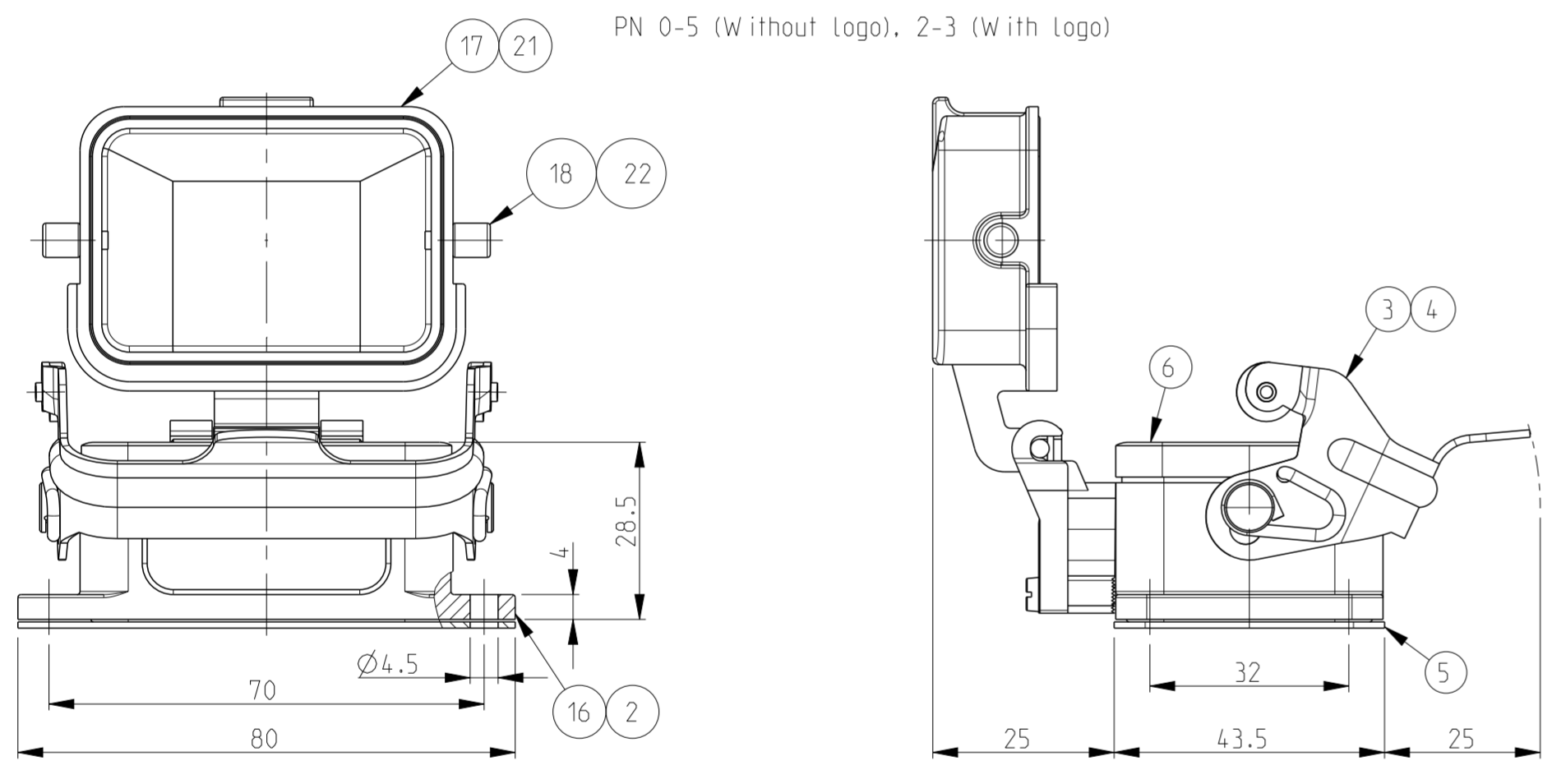
PN 1-2.2-2.0-1.0-2.0-3.0-4 & 0-6



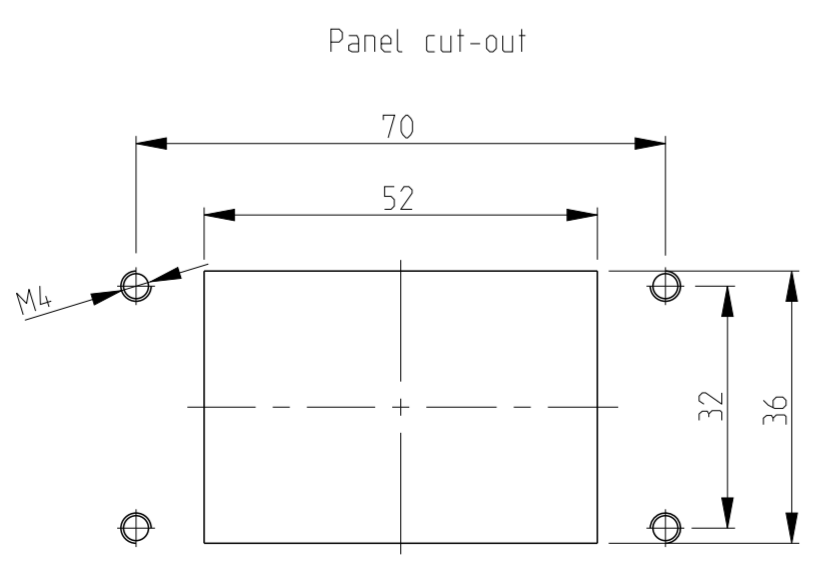
- NOTES.
- Material:Housing:Aluminium Diecasting Alloy  
Seals :Neoprene: Viton
  - Surface: Varnish-Grey/fire-red /alu-colored  
-Aluminium Oxide +  
Varnish Black  
Chromital TCP-Passivation
  - Varnish on the inside not necessary
  - Packaging  
Quantity 5 Pieces in a box
  - Without TE product sign
  - Special Packaging  
Quantity 50 Pieces in a Kanban box



PN 0-5 (Without logo), 2-3 (With logo)



QTY	DESCRIPTION	MATERIAL	SURFACE	COLOR	ITEM NO	NOTES							
2	LB Clip bolt	Stainless steel			22								
1	Cover HB-K	Aluminium	Aluminium oxide	Black	21								
1	Flange seal	Viton		Black	20								
1	Profile seal	Viton		Grey	19								
1	LB Clip bolt	Steel	Zinc plated	Blue	18								
1	Cover HB	Aluminium		Grey	17	Without TE logo							
1	Surface mounted housing bottom entry HB	Aluminium		Grey	16	Without TE logo							
1	Profile seal	Neoprene		Black	15	Conductive							
1	Cover HB-EMV	Aluminium	SEE NOTE	Black	14								
1	Surface mounted housing bottom entry HB-EMV	Aluminium	SEE NOTE	Black	13								
1	Cover HB	Aluminium		Borning ried	12								
1	Surface mounted housing bottom entry HB	Aluminium		Borning ried	11								
1	Cover HB	Aluminium	Aluminium oxide	Alu-colored	10								
1	Surface mounted housing bottom entry HB	Aluminium	Aluminium oxide	Alu-colored	9								
1	Cover HB	Aluminium	Aluminium oxide	Black	8								
1	Cover HB	Aluminium		Grey	7								
1	Flange seal	Neoprene		Black	6								
1	Profile seal	Neoprene		Black	5								
1	LB-Side clip HB	Stainless steel	Blank		4								
1	LB-Side clip HB	Steel	Zinc plated	Blue	3								
1	Surface mounted housing bottom entry HB-K	Aluminium	Aluminium oxide	Black	2								
1	Surface mounted housing bottom entry HB	Aluminium		Grey	1								
2-30-6	0-5	0-4	0-3	0-2	0-1	2-2	1-2	DESCRIPTION	MATERIAL	SURFACE	COLOR	ITEM NO	NOTES
								HB.6.AGD-LB					
								HB-K.6.AGD-LB					
								HB-K.6.AGD-LB					
								HB.6.AGD-LB.KM					
								HB.6.AGD-LB.KM					
								HB-EMV.6.AGD-LB					
								HB.6.AGD-LB					
								HB.6.AGD-LB.V					
								HB-K.6.AGD-LB					



THIS DRAWING IS A CONTROLLED DOCUMENT. DWN Schneider 23.09.1999  
 CHK Schweiger 23.09.1999

DIMENSIONS: mm TOLERANCES UNLESS OTHERWISE SPECIFIED:  
 0 PLC ±  
 1 PLC ±  
 2 PLC ±  
 3 PLC ±  
 4 PLC ±  
 ANGLES ±

MATERIAL: material\_2 FINISH: finish\_spec\_2

PRODUCT SPEC: 108-74001/74003  
 APPLICATION SPEC: 114-74004/74005

NAME: Surface mounted housing bottom entry HB.6.AGD-LB

SIZE: A2 CAGE CODE: 00779 DRAWING NO: C-1102246 RESTRICTED TO: B3

CUSTOMER DRAWING SCALE: 1:1 SHEET: 1 OF 1 REV: B3