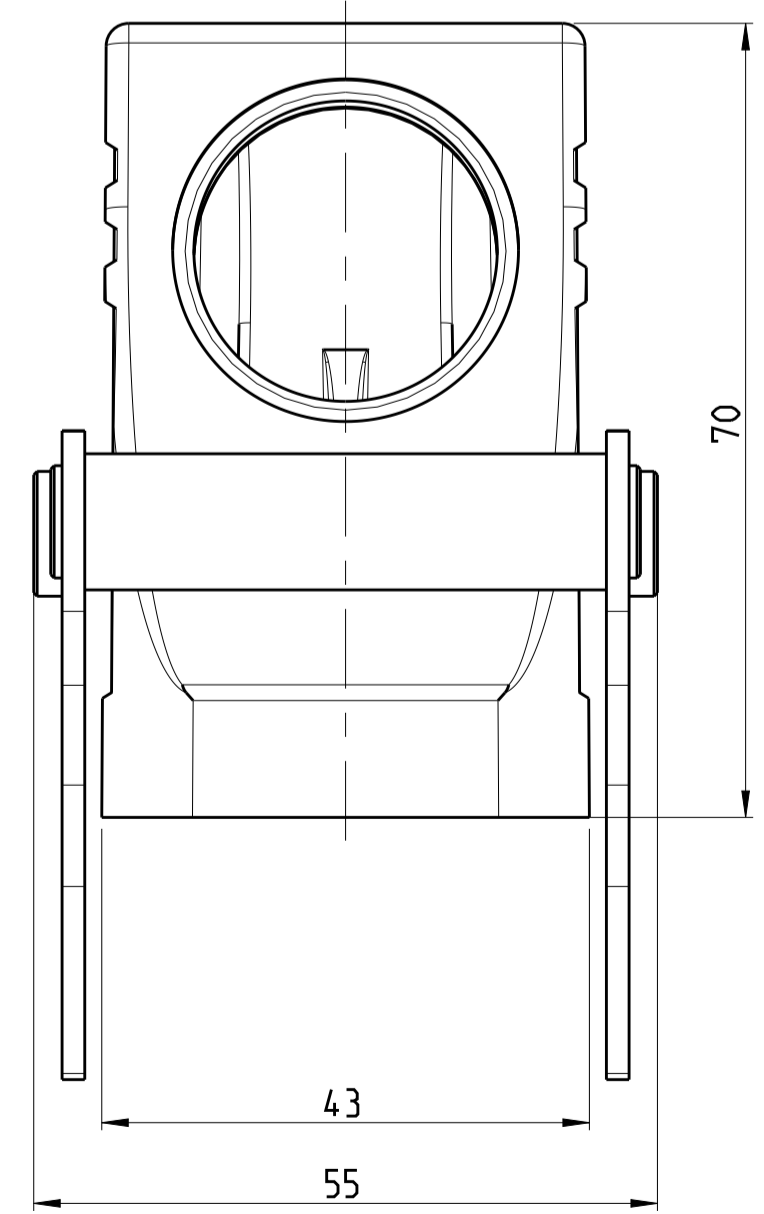
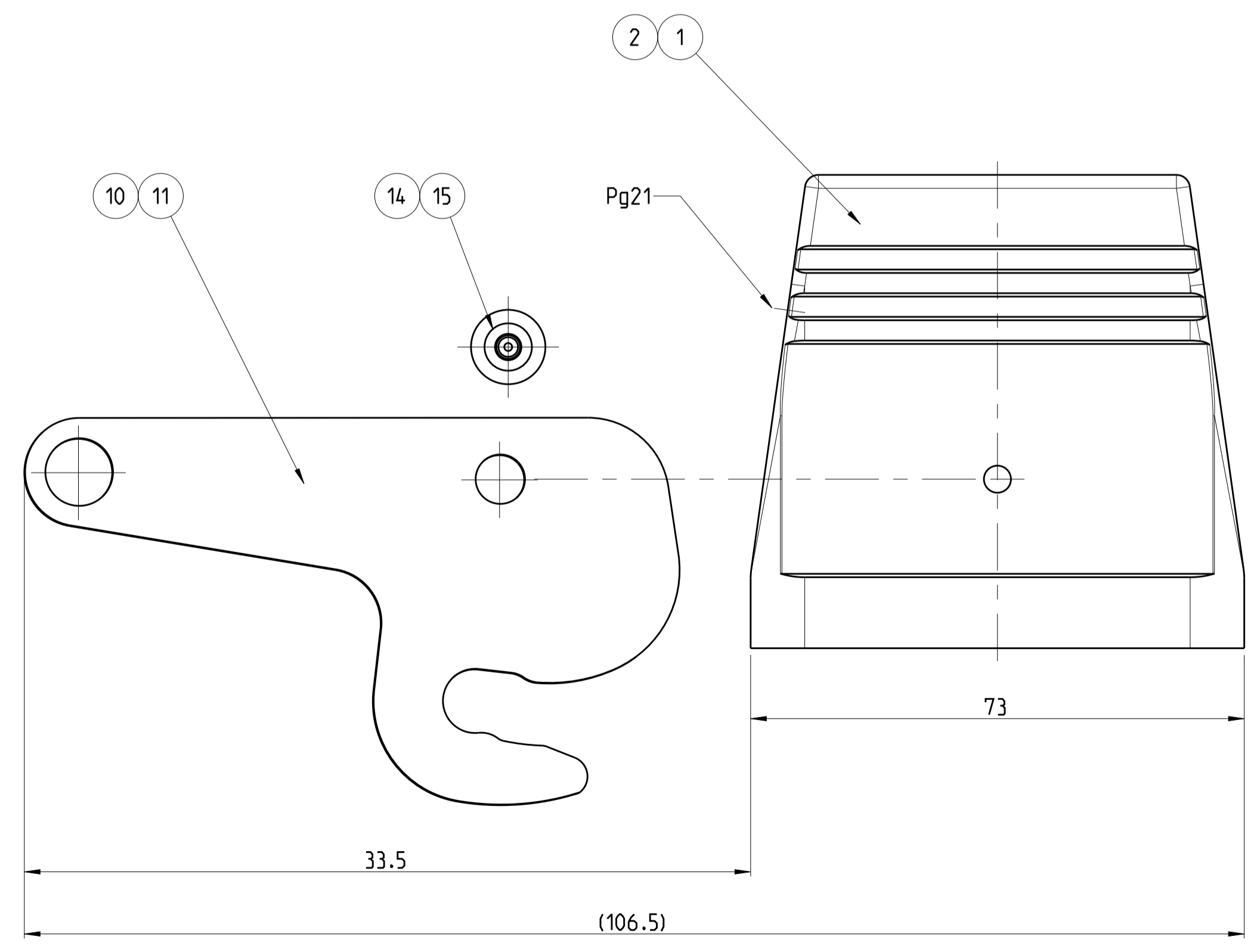
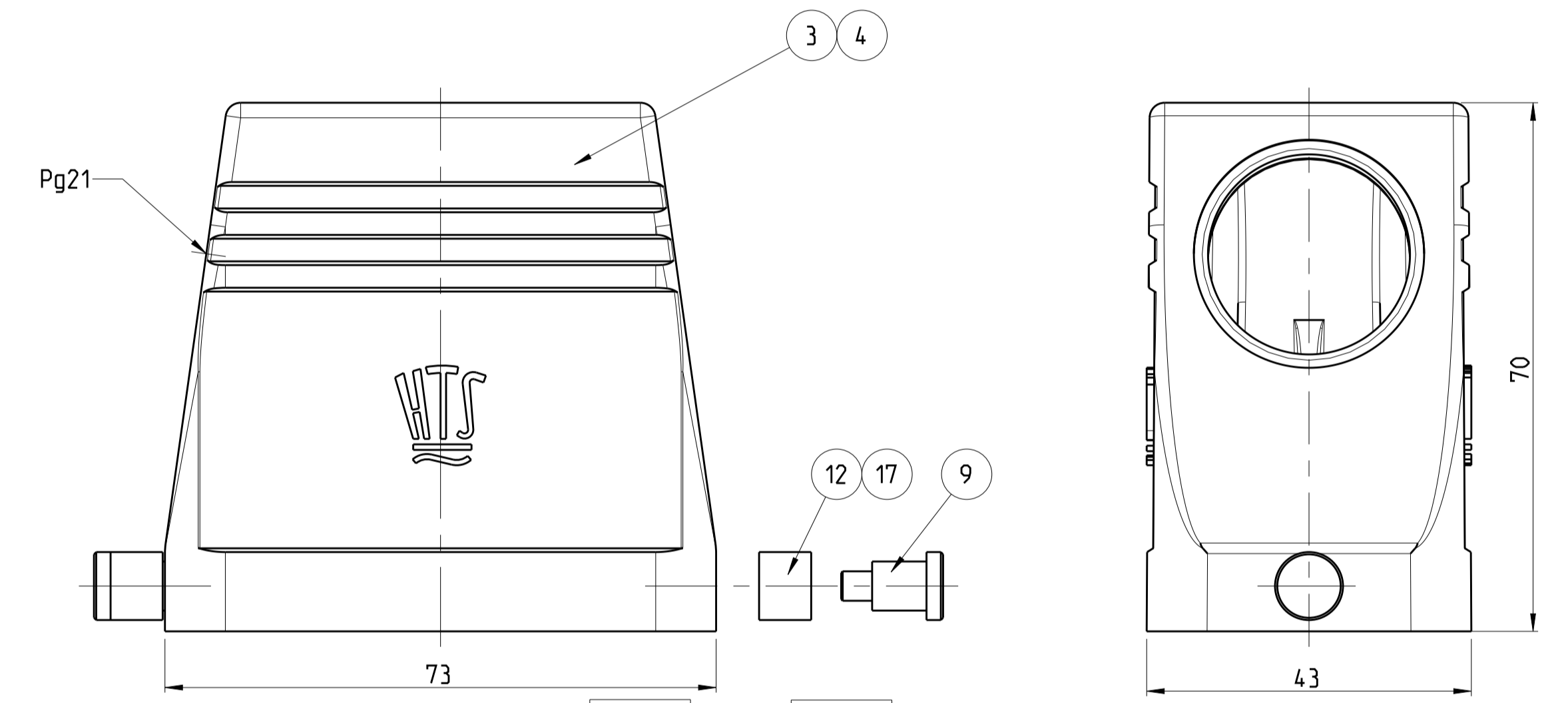
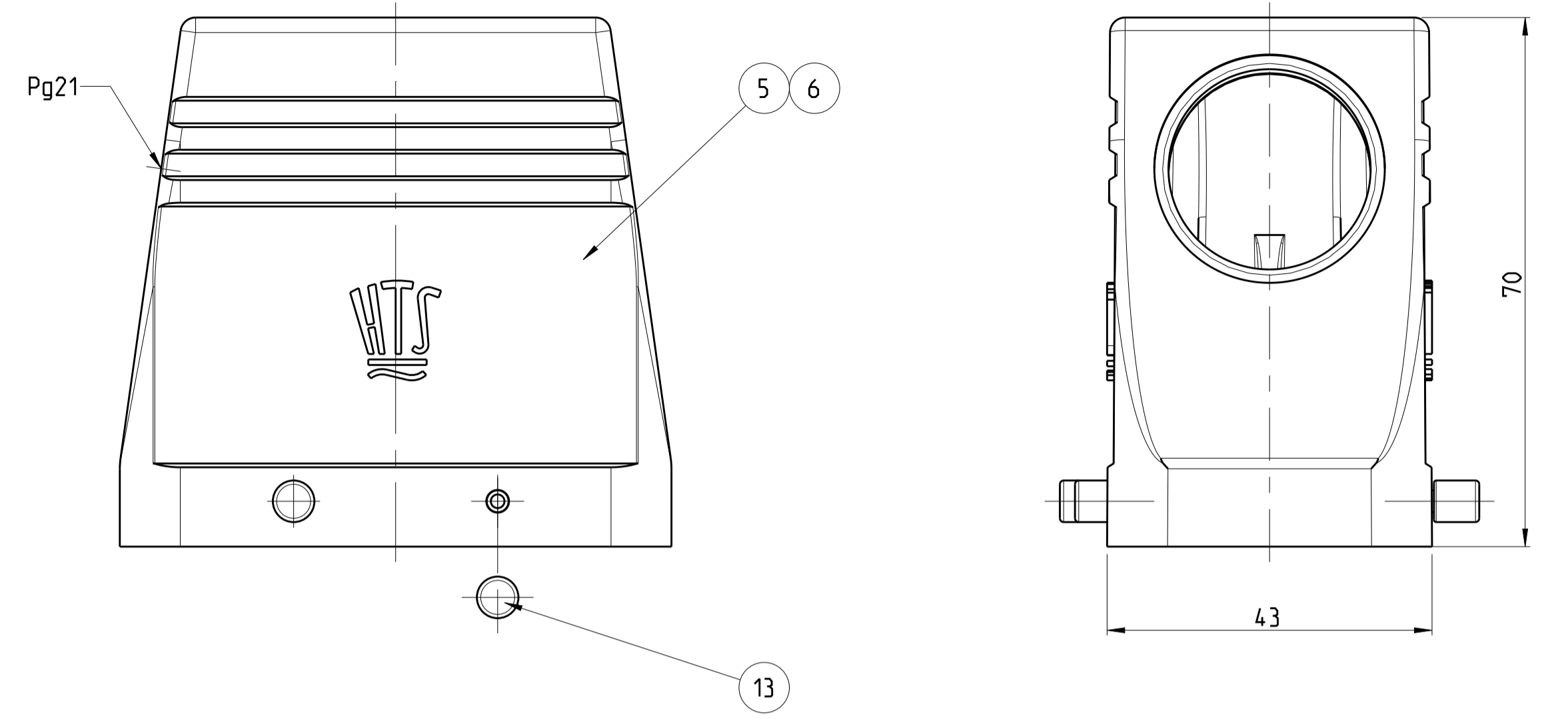
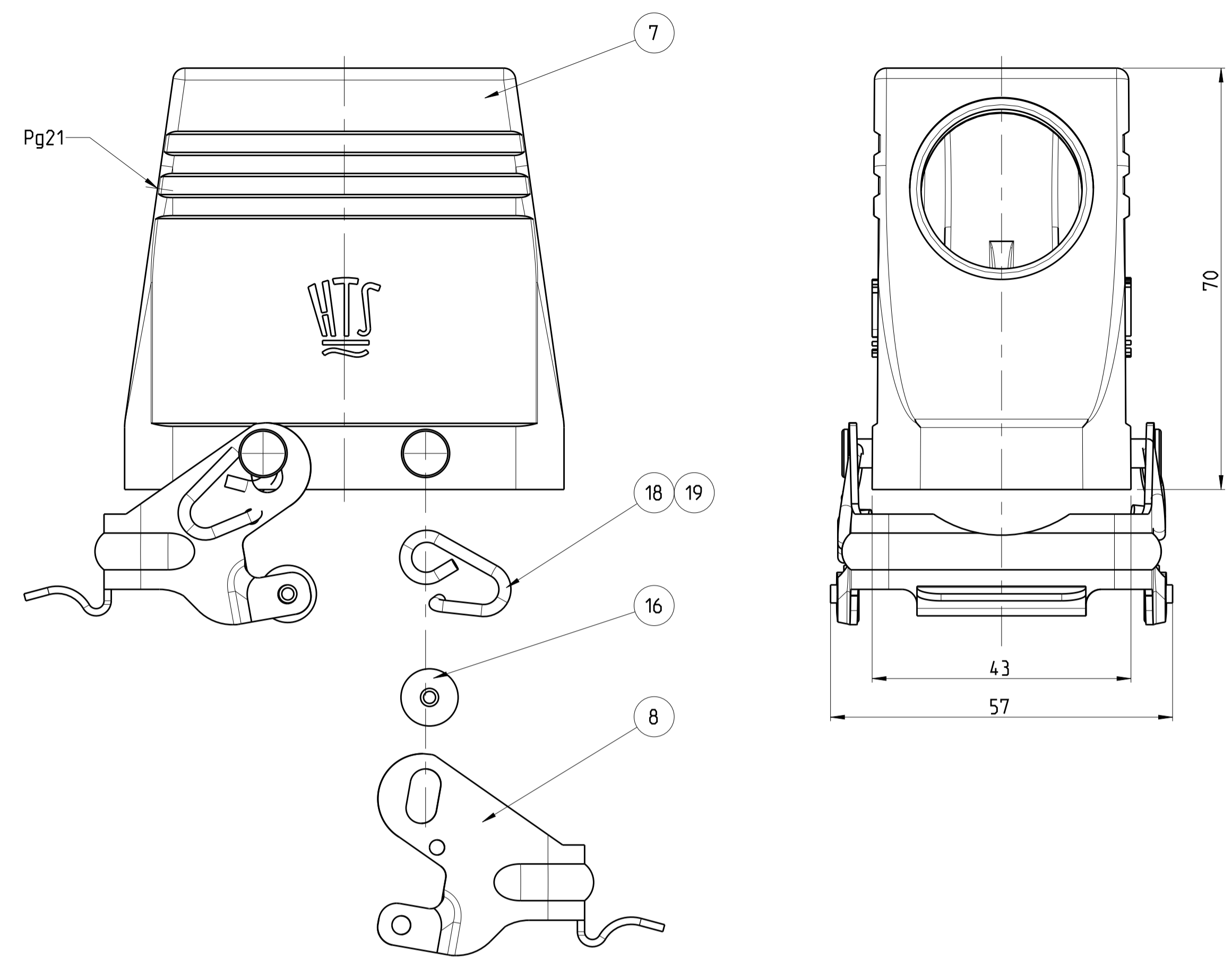


LOC		DIST		REVISIONS			
P	LTR	DESCRIPTION	DATE	DWN	APVD		
B1	ECR-11-013858		04 JUL 2011	SR	PF		
B2	ECR-16-015318		19 SEP 2017	GR	MKO		
B3	ECR-16-016768		15 NOV 2017	GR	MKO		
B4	ECR-17-013084		29 MAR 2018	SG	MKO		



QTY	QTY	DESCRIPTION	MATERIAL	SURFACE	COLOR	ITEM					
2		B ÜGELFEDER LINKS	FEDERSTAHLDRAHT	VERZINKT		19					
2		B ÜGELFEDER RECHTS	FEDERSTAHLDRAHT	VERZINKT		18					
		GLEITROLLE	STAHL	VERZINKT	BLUE	17					
4		B ÜGELHALTER	STAHL	VERZINKT	BLUE	16					
		B ÜGELHALTER ZENTRALB ÜGEL	V2A			15					
2	2	B ÜGELHALTER ZENTRALB ÜGEL	STAHL	VERZINKT	BLUE	14					
		B ÜGELBOLZEN	V2A			13					
		B ÜGELBOLZEN	V2A			12					
		ZENTRAL-B ÜGEL	V2A			11					
	1	ZENTRAL-B ÜGEL	STAHL	VERZINKT	BLUE	10					
		LB-B ÜGEL	STAHL	VERZINKT	BLUE	9					
2	2	VS-B ÜGEL	STAHL	VERZINKT	BLUE	8					
1		HOOD HD .24	ALUMINIUM/ALU		GREY	7					
		HOOD HD .24	ALUMINIUM/ALU	ALUMINIUM OXID	BLACK	6					
	1	HOOD HD .24	ALUMINIUM/ALU	ALUMINIUM OXID	GREY	5					
		HOOD HD .24	ALUMINIUM/ALU	ALUMINIUM OXID	BLACK	4					
		HOOD HD .24	ALUMINIUM/ALU	ALUMINIUM OXID	GREY	3					
		HOOD HD .24	ALUMINIUM/ALU	ALUMINIUM OXID	BLACK	2					
	1	HOOD HD .24	ALUMINIUM/ALU		GREY	1					
1-1	2-6	1-6	2-7	1-7	2-3	1-3	DESCRIPTION	MATERIAL	SURFACE	COLOR	ITEM
							HD-Z.24.STS-ZB.1.21.G				
							HD-K.Z.24.STS-ZB.1.21.G				
							HD.24.STS-GR.1.21.G				
							HD-K.24.STS-GR.1.21.G				
							HD.24.STS.1.21.G				
							HD-K.24.STS.1.21.G				
							HD-24.STS-VS.1.21.G				

THIS DRAWING IS A CONTROLLED DOCUMENT. DWN R. SCHNEIDER 04 JUL 2011
 CHE T. SCHNURPEIL 04 JUL 2011

STE TE Connectivity

DIMENSIONS: mm
 TOLERANCES UNLESS OTHERWISE SPECIFIED:
 0 PLC ±
 1 PLC ±
 2 PLC ±
 3 PLC ±
 4 PLC ±
 ANGLES ±
 FINISH

APVD: R. SCHNEIDER
 NAME: Hood HD.24
 PRODUCT SPEC: ASSY HD.24.STS.1.21.G
 APPLICATION SPEC: -
 WEIGHT: -
 CUSTOMER DRAWING

SIZE: A1
 CAGE CODE: 00779
 DRAWING NO: C=1102496
 SCALE: 5:1
 SHEET: 1 OF 1
 REV: B4