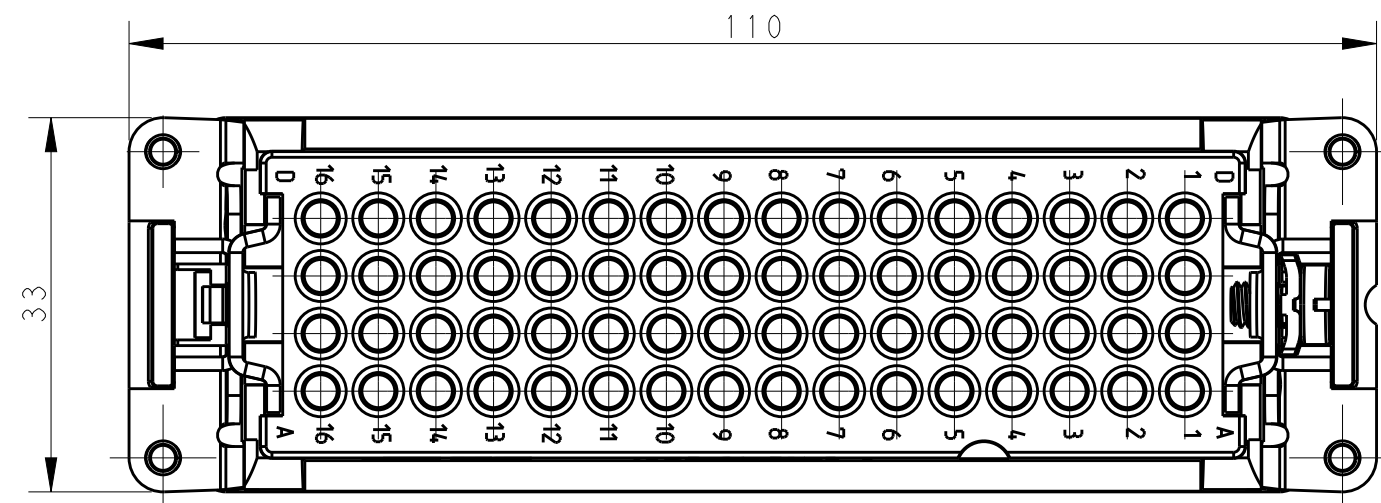
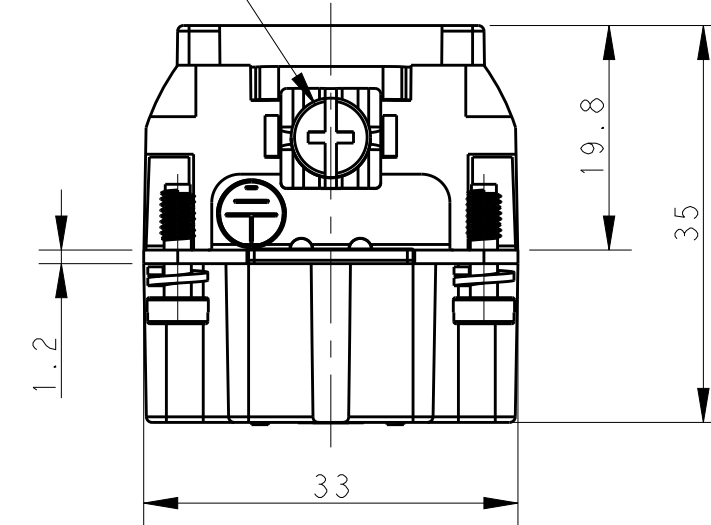
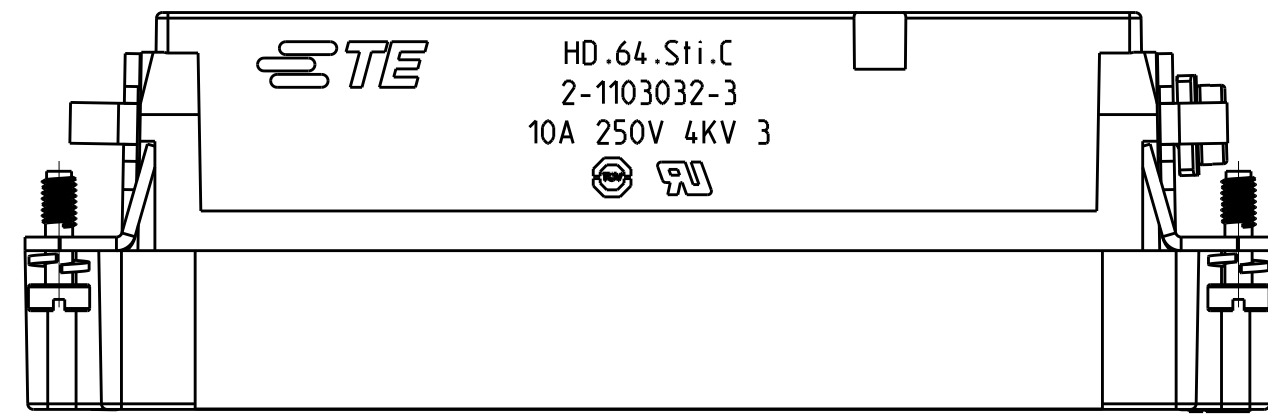


| P | LTR | DESCRIPTION | DATE | DWN | APVD |
|---|-----|---------------|-----------|-----|------|
| C | | ECR-20-005011 | 06APR2020 | QY | JB |



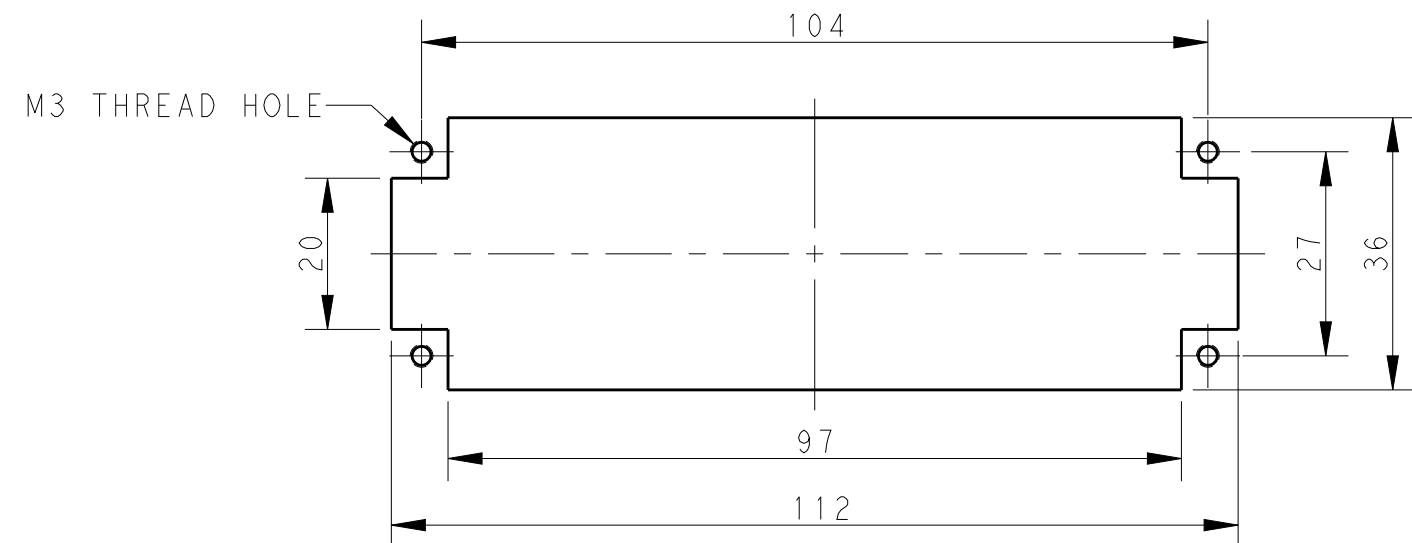
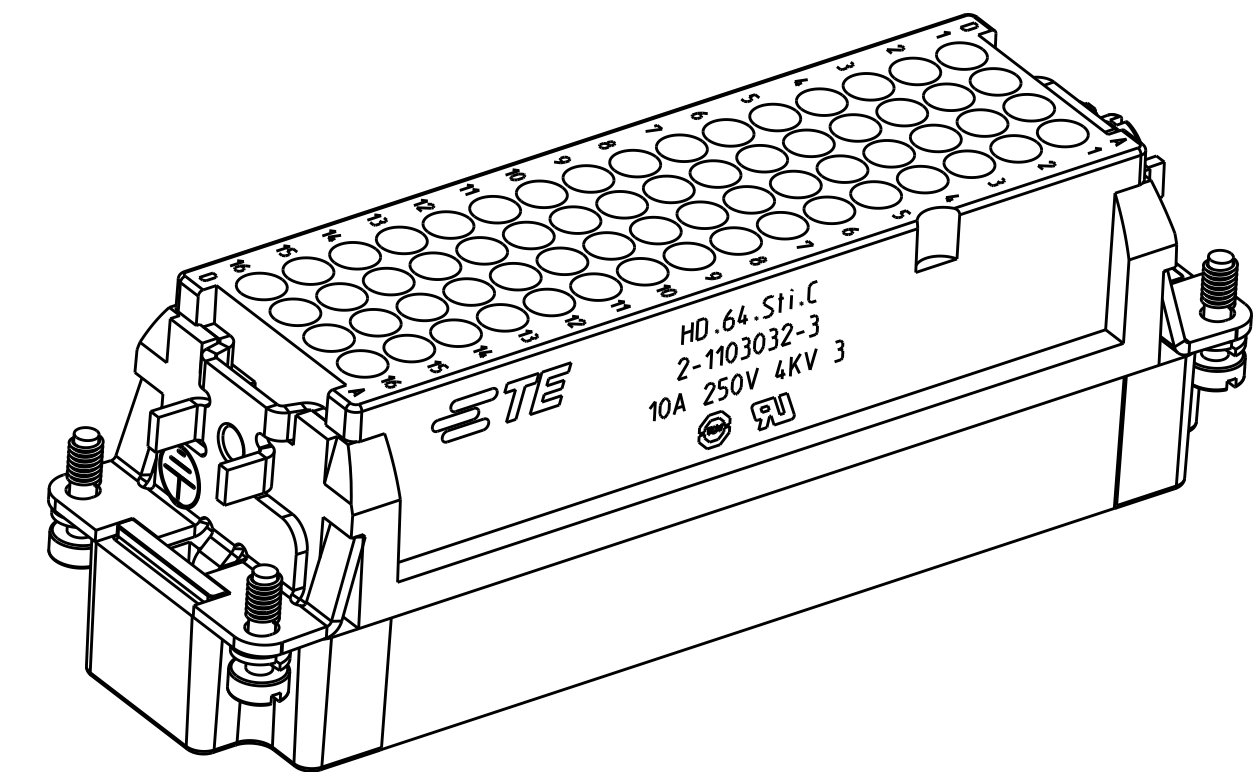
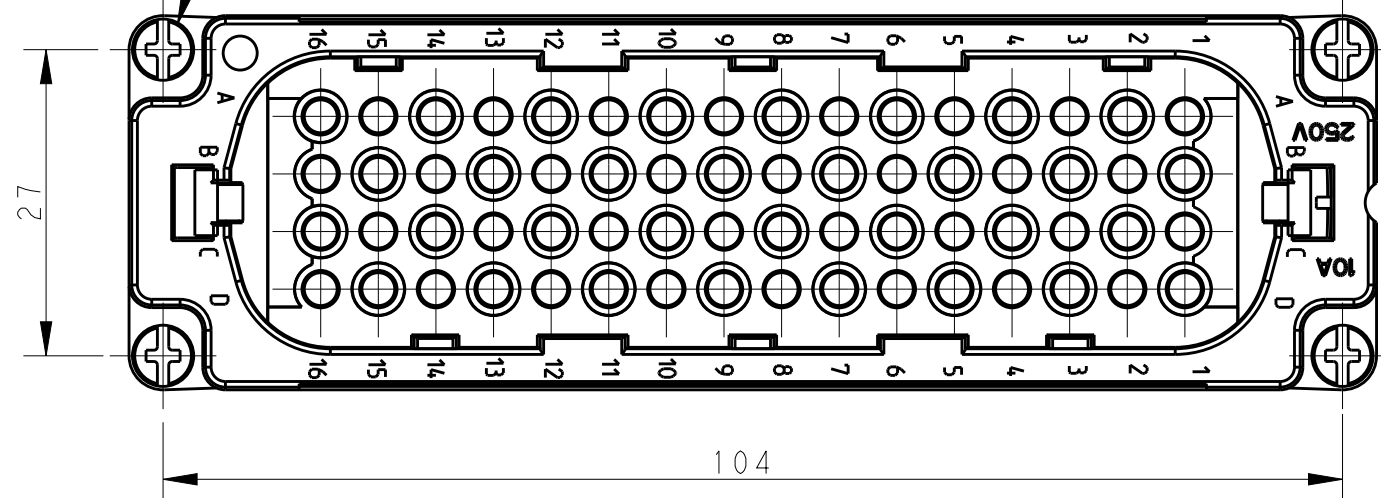
NOTES:
 1. TECHNICAL CHARACTERISTICS:
 INSULATION MATERIAL: PC
 RATED VOLTAGE: 250V
 RATED CURRENT: 10A
 RATED IMPULSE VOLTAGE: 4KV
 POLLUTION DEGREE: 3
 WIRE RANGE: 0.14mm²~2.5mm² (AWG26-AWG14)
 2. CONTACT NEED TO BE ORDERED SEPARATELY.

M4 SCREW RECOMMENDED
 TIGHTENING TORQUE 1.2Nm
 M4螺丝, 推荐锁紧力矩1.2Nm



注释:
 1. 技术参数:
 绝缘材料: PC
 额定电压: 250V
 额定电流: 10A
 脉冲电压: 4KV
 污染等级: 3
 接线范围: 0.14mm²~2.5mm² (AWG26-AWG14)
 2. 端子需要单独订购.

4X M3 SCREW
 RECOMMENDED TIGHTENING TORQUE 0.5Nm
 4X M3 螺丝, 推荐锁紧力矩0.5Nm



PANEL CUT FOR INSERTS FOR USE
 WITHOUT HOODS/ HOUSINGS
 不使用防护外壳时芯件的安装开孔图

| | | |
|-------------------|------------------------|---|
| 2-1103032-3 | HD.64.Sti.C | HD-064 MALE INSERT FOR STAMPED CONTACT TYPE HD-064 公插, 卷皮针型(HTS) |
| PART NUMBER 料号 | PART DESCRIPTION 描述 | |

| | | | | |
|---|--|-----------------------------------|---------------------------|--------------------|
| THIS DRAWING IS A CONTROLLED DOCUMENT. | | DWN QIANG YUAN 08JAN2020 | TE Connectivity | |
| DIMENSIONS: mm | | CHK JAN BREDOW 08JAN2020 | | |
| TOLERANCES UNLESS OTHERWISE SPECIFIED: | | APVD MARCIN KOMAR 08JAN2020 | PRODUCT SPEC 108-74002 | SIZE A200779 |
| 0 PLC ± 1 PLC ± 2 PLC ± 3 PLC ± 4 PLC ± | | APPLICATION SPEC 114-74000 | DRAWING NO C-1103032 | RESTRICTED TO - |
| MATERIAL - | | FINISH - | WEIGHT - | SCALE 3:2 |
| CUSTOMER DRAWING | | | SHEET 1 OF 1 | REV C |